



Color: Matte white

Weight: 0.8 lbs

Project:

Type:

Prepared By:

Date:

Driver Info

LED Info

Type	Constant Current, Class 2	Watts	13W
120V	0.13A	Color Temp	2700/3000/3500/4000/5000K
208V	N/A	Color Accuracy	90 CRI
240V	N/A	L70 Lifespan	30,000 Hours
277V	N/A	Lumens	1,000 lm
Input Watts	13W	Efficacy	69

Technical Specifications

Performance

Product Type:

Back-lit Slim Wafer recessed Downlight with Remote Driver

Description:

The first of its kind back-lit wafer downlight, the WFR17 gives the same benefits of a wafer downlight while being super economical.

Wattage Equivalency:

75W Incandescent

Input Wattage:

13W

Lumens:

971lm @ 2700K;
1015lm @ 3000K;
1069lm @ 3500K;
1090lm @ 4000K;
1084lm @ 5000K

Efficacy:

80lm/W @ 2700K;
85lm/W @ 3000K;
91lm/W @ 3500K;
92lm/W @ 4000K;
90lm/W @ 5000K

L70 Lifespan:

30,000-hour LED lifespan based on IES LM-70 results

Electrical

Driver:

Constant Current, Class 2, 60 Hz, 120V

THD:

≤20%

Power Factor:

≥0.9

Dimmable:

Yes, dimmable down to 10% on compatible TRIAC/ELV dimming systems. See Dimmer Compatibility List.

Input Voltage:

120V

Operating Frequency:

60 Hz

Input Current @ 120V (mA):

130mA

Operating Temperature:

-4°F to 104°F (-20°C to 40°C)

Flicker:

30%

LED Characteristics

Beam Angle:

110°±10°

Color Temperature:

Field adjustable via dip switch
2700/3000/3500/4000/5000K
Default setting: 3000K

Color Accuracy (CRI):

90 CRI

R9 Value:

High color performance with R9 greater than 50

Color Consistency:

<7-step MacAdam Ellipse binning to achieve consistent fixture-to-fixture color

Technical Specifications (continued)

Installation

Remote Driver/Junction Box:

Die formed metal driver / junction box with captive hinged junction box cover. Listed for Maximum of (4) 12AWG through branch circuit conductor suitable for 90°C permitted in box. Easy to wire in 2in/2out (plus ground) applications. (4) conduit pry-outs. (3) twist wire nuts provided in packaging. Integral mounting facilitates direct mounting to building structure or mounting frame.

Mounting:

No housing is required. Two steel tension spring clips secure Luminaire to ceiling. New construction frames available (details below).

Construction

Size:

6"

Shape:

Round

Finish:

Matte White

Enclosure Material:

Aluminum housing with PC enclosure and trim flange

Trim Style:

Smooth

Lens Finish:

Frosted Milky white

Lens:

Frosted acrylic light guide which provides smooth diffuse lighting without hot spots

Air Tight:

Housing certified Air Tight as per ASTM E283

Compliance

Listings:

UL Listed

Environment:

Suitable for use indoors and outdoors in dry, damp, or wet environments.

IC Rated:

Suitable for direct contact with insulation. Type IC inherently protected, suitable for direct contact to air permeable insulation and cULus listed for damp locations. Not for use in direct contact with spray foam insulation, consult NEMA LSD57-2013.

Energy Star Approved:

No

DLC Listed:

No

Certification Model Number:

DLW0118(WFR17-6)

California Title 20 Compliant:

No

California Title 24 JA8 Compliant:

Can be used to conform with the requirements of California Title 24 Part 6

California Energy Commission (CEC) Status:

Lawful for Sales in California

NEC Compliant:

Suitable for use in closets. Compliant with NEC Sec. 410.16 (A)(1) and 410.16 (C3).

IESNA LM-79 & LM-80 Testing:

RAB LED luminaires and LED components have been tested by an independent laboratory in accordance with IESNA LM-79 and LM-80.

RoHS:

Mercury and UV free. RoHS-compliant components.

FCC:

Complies with Part 15 of the FCC Rules

Trade Agreements Act Compliant:

This product is a product of Cambodia and a "designated country" end product that complies with the Trade Agreements Act

Other

Compatible Accessories:

Goof Rings

[WFRL-GOOF-6R-8R-W](#)

Color Trims

[WFRL-TRIM-6R-BS](#)

[WFRL-TRIM-6R-BRS](#)

[WFRL-TRIM-6R-BNS](#)

Mounting Plates

[DLPLATE/WFR6/NB/CL](#)

[DLPLATE/WFR6](#)

Extension Cables

[EXTCBL-FA-6L](#)

[EXTCBL-FA-12](#)

[EXTCBL-FA-20](#)

Emergency Drivers

[DRI-25-EMGR-DC](#)

[DRI-21-EMGR-DC-D10](#)

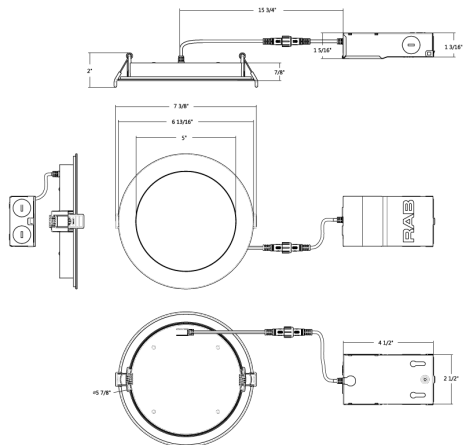
3 Yr Limited Warranty:

The RAB 3-year, limited warranty covers light output, driver performance and paint finish. RAB's warranty is subject to all terms and conditions found at rablighting.com/warranty

Buy American Act Compliance:

RAB values USA manufacturing! Upon request, RAB may be able to manufacture this product to be compliant with the Buy American Act (BAA). Please contact customer service to request a quote for the product to be made BAA compliant.

Dimensions



Features

- Slim Back-Lit Wafer downlight for new construction & remodel applications
- 5 selectable color temperatures (2700K,3000K,3500K,4000K,5000K)
- Easy, fast, housing-free installation with it's slim design and remote driver box
- Dimmable 90CRI LED with smooth trim
- 3-year limited warranty

Ordering Matrix

Family	Size/Wattage	Shape	CRI/Color Temp	Driver	Finish	Trim
WFR17	6					
	4 = 4"; 9W 6 = 6"; 13W	Blank = Round	Blank = 90 CRI, 2700/3000/3500/4000/5000K CCT Adjustable	Blank = 120V; TRIAC/ELV	Blank = White	Blank = Smooth B = Baffle