

Color: Matte white

Weight: 0.7 lbs

Project:

Type:

Prepared By:

Date:

**Driver Info**

**LED Info**

Type	Constant Current, Class 2	Watts	9W
120V	0.09A	Color Temp	2700/3000/3500/4000/5000K
208V	N/A	Color Accuracy	90 CRI
240V	N/A	L70 Lifespan	30,000 Hours
277V	N/A	Lumens	650 lm
Input Watts	9W	Efficacy	67

**Technical Specifications**

**Performance**

**Product Type:**

Back-lit Slim Wafer recessed Downlight with Remote Driver

**Description:**

The first of it's kind back-lit wafer downlight, the WFR17 gives the same benefits of a wafer downlight while being super economical.

**Wattage Equivalency:**

60W Incandescent

**Input Wattage:**

9W

**Lumens:**

- 604lm @ 2700K;
- 649lm @ 3000K;
- 685lm @ 3500K;
- 696lm @ 4000K;
- 689lm @ 5000K

**Efficacy:**

- 76lm/W @ 2700K;
- 82lm/W @ 3000K;
- 88lm/W @ 3500K;
- 89lm/W @ 4000K;
- 86lm/W @ 5000K

**L70 Lifespan:**

30,000-hour LED lifespan based on IES LM-70 results

**Electrical**

**Driver:**

Constant Current, Class 2, 60 Hz, 120V

**THD:**

≤20%

**Power Factor:**

≥0.9

**Dimmable:**

Yes, dimmable down to 10% on compatible TRIAC/ELV dimming systems. See Dimmer Compatibility List.

**Input Voltage:**

120V

**Operating Frequency:**

60 Hz

**Input Current @ 120V (mA):**

90mA

**Operating Temperature:**

-4°F to 104°F (-20°C to 40°C)

**Flicker:**

30%

**LED Characteristics**

**Beam Angle:**

110°±10°

**Color Temperature:**

Field adjustable via dip switch  
2700/3000/3500/4000/5000K  
Default setting: 3000K

**Color Accuracy (CRI):**

90 CRI

**R9 Value:**

High color performance with R9 greater than 50

**Color Consistency:**

<7-step MacAdam Ellipse binning to achieve consistent fixture-to-fixture color

## Technical Specifications (continued)

### Installation

#### Remote Driver/Junction Box:

Die formed metal driver / junction box with captive hinged junction box cover. Listed for Maximum of (4) 12AWG through branch circuit conductor suitable for 90°C permitted in box. Easy to wire in 2in/2out (plus ground) applications. (4) conduit pry-outs. (3) twist wire nuts provided in packaging. Integral mounting facilitates direct mounting to building structure or mounting frame.

#### Mounting:

No housing is required. Two steel tension spring clips secure Luminaire to ceiling. New construction frames available (details below).

### Construction

#### Size:

4"

#### Shape:

Round

#### Finish:

Matte White

#### Enclosure Material:

Aluminum housing with PC enclosure and trim flange

#### Trim Style:

Smooth

#### Lens Finish:

Frosted Milky white

#### Lens:

Frosted acrylic light guide which provides smooth diffuse lighting without hot spots

#### Air Tight:

Housing certified Air Tight as per ASTM E283

### Compliance

#### Listings:

UL Listed

#### Environment:

Suitable for use indoors and outdoors in dry, damp, or wet environments.

#### IC Rated:

Suitable for direct contact with insulation. Type IC inherently protected, suitable for direct contact to air permeable insulation and cULus listed for damp locations. Not for use in direct contact with spray foam insulation, consult NEMA LSD57-2013.

#### Energy Star Approved:

No

#### DLC Listed:

No

#### Certification Model Number:

DLW0116(WFR17-4)

#### California Title 20 Compliant:

No

#### California Title 24 JA8 Compliant:

Can be used to conform with the requirements of California Title 24 Part 6

#### California Energy Commission (CEC) Status:

Lawful for Sales in California

#### NEC Compliant:

Suitable for use in closets. Compliant with NEC Sec. 410.16 (A)(1) and 410.16 (C3).

#### IESNA LM-79 & LM-80 Testing:

RAB LED luminaires and LED components have been tested by an independent laboratory in accordance with IESNA LM-79 and LM-80.

#### RoHS:

Mercury and UV free. RoHS-compliant components.

#### FCC:

Complies with Part 15 of the FCC Rules

#### Trade Agreements Act Compliant:

This product is a product of Cambodia and a "designated country" end product that complies with the Trade Agreements Act

### Other

#### Compatible Accessories:

Goof Rings

[WFRL-GOOF-4R-6R-W](#)

Color Trims

[WFRL-TRIM-4R-BS](#)

[WFRL-TRIM-4R-BRS](#)

[WFRL-TRIM-4R-BNS](#)

Mounting Plates

[DLPLATE/WFR4/NB/CL](#)

[DLPLATE/WFR4](#)

Extension Cables

[EXTCBL-FA-6](#)

[EXTCBL-FA-12](#)

[EXTCBL-FA-20](#)

Emergency Drivers

[DRI-25-EMGR-DC](#)

[DRI-21-EMGR-DC-D10](#)

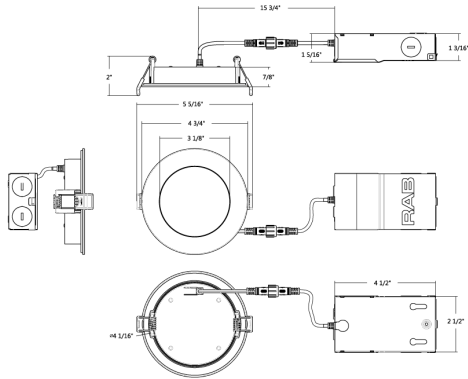
#### 3 Yr Limited Warranty:

The RAB 3-year, limited warranty covers light output, driver performance and paint finish. RAB's warranty is subject to all terms and conditions found at [rablighting.com/warranty](http://rablighting.com/warranty)

#### Buy American Act Compliance:

RAB values USA manufacturing! Upon request, RAB may be able to manufacture this product to be compliant with the Buy American Act (BAA). Please contact customer service to request a quote for the product to be made BAA compliant.

**Dimensions**



**Features**

- Slim Back-Lit Wafer downlight for new construction & remodel applications
- 5 selectable color temperatures (2700K,3000K,3500K,4000K,5000K)
- Easy, fast, housing-free installation with it's slim design and remote driver box
- Dimmable 90CRI LED with smooth trim
- 3-year limited warranty

**Ordering Matrix**

Family	Size/Wattage	Shape	CRI/Color Temp	Driver	Finish	Trim
WFR17	4					
	4 = 4"; 9W 6 = 6"; 13W	Blank = Round	Blank = 90 CRI, 2700/3000/3500/4000/5000K CCT Adjustable	Blank = 120V; TRIAC/ELV	Blank = White	Blank = Smooth B = Baffle