



18 Watt LED wall sconce. Die-cast aluminum wall bracket with five 1/2" conduit openings with plugs.

Color: Bronze

Weight: 15.0 lbs

<b>Project:</b>	<b>Type:</b>
<b>Prepared By:</b>	<b>Date:</b>

Driver Info		LED Info	
Type	Constant Current	Watts	18W
120V	0.24A	Color Temp	5100K (Cool)
208V	0.18A	Color Accuracy	73 CRI
240V	0.15A	L70 Lifespan	100,000 Hours
277V	0.12A	Lumens	2,149 lm
Input Watts	17.5W	Efficacy	122.8 lm/W

**Technical Specifications**

**Compliance**

**UL Listed:**

Suitable for wet locations

**IESNA LM-79 & lm-80 Testing:**

RAB LED luminaires and LED components have been tested by an independent laboratory in accordance with IESNA lm-79 and lm-80

**LED Characteristics**

**LEDs:**

Long-life, high-efficiency, surface-mount LEDs

**Color Consistency:**

5-step MacAdam Ellipse binning to achieve consistent fixture-to-fixture color

**Color Stability:**

LED color temperature is warrantied to shift no more than 200K in color temperature over a 5-year period

**Color Uniformity:**

RAB's range of Correlated Color Temperature follows the guidelines of the American National Standard for Specifications for the Chromaticity of Solid State Lighting (SSL) Products, ANSI C78.377-2017

**Performance**

**Lifespan:**

100,000-Hour LED lifespan based on IES LM-80 results and TM-21 calculations

**Optical**

**BUG Rating:**

B1 U3 G2

**Construction**

**Cold Weather Starting:**

The minimum starting temperature is -40°C (-40°F)

**Thermal Management:**

Cast aluminum Thermal Management system for optimal heat sinking. The BLED is designed for cool operation, maximum efficiency and long life by minimizing LED junction temperature.

**Housing:**

Reinforced Die-cast Aluminum

**Lens:**

Polycarbonate lens

**Reflector:**

Vacuum-metallized polycarbonate

**Gaskets:**

High-temperature silicone gaskets seal out moisture gaskets seal out moisture

**Mounting:**

Die-cast aluminum wall bracket with five (5) 1/2" conduit openings with plugs

**Finish:**

Our environmentally friendly polyester powder coatings are formulated for high-durability and long-lasting color

**Green Technology:**

Mercury and UV free. RoHS-compliant components.

**Other**

**Patents:**

The design of WBLED is protected by patents in US, Canada & China

**Warranty:**

RAB warrants that our LED products will be free from defects in materials and workmanship for a period of five (5) years from the date of delivery to the end user, including coverage of light output, color stability, driver performance and fixture finish. RAB's warranty is subject to all terms and conditions found at [rablighting.com/warranty](http://rablighting.com/warranty).

**Technical Specifications (continued)**

**Buy American Act Compliance:**

RAB values USA manufacturing! Upon request, RAB may be able to manufacture this product to be compliant with the Buy American Act (BAA). Please contact customer service to request a quote for the product to be made BAA compliant.

**Electrical**

**Driver:**

Constant Current, Class 2, 100-277V, 50/60 Hz, 4kV Surge Protection, 700mA, 120V: 0.24A, 208V: 0.18A, 240V: 0.15A, 277V: 0.12A

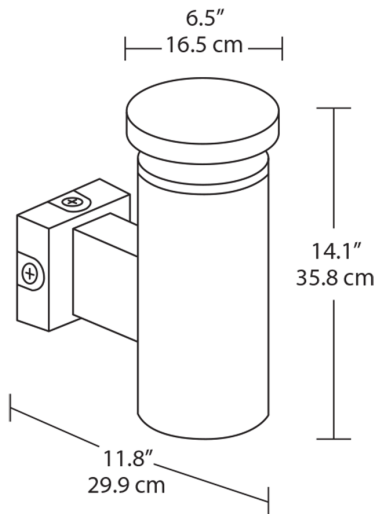
**THD:**

8.19% at 120V, 10.03% at 277V

**Power Factor:**

98.88% at 120V, 93.9% at 277V

**Dimensions**



**Features**

- 18 Watt LED architectural wall sconce
- Companion fixture to RAB BLED Round and Square Bollard
- Durable construction and vandal-resistant polycarbonate lens
- 100,000-hour LED lifespan

**Ordering Matrix**

Family	Shape	Wattage	Color Temp	Finish	Photocell Option
WBLED	R	18			
	Blank = Square R = Round	18 = 18W	Blank = 5000K Cool Y = 3000K Warm N = 4000K Neutral	Blank = Bronze W = White	Blank = No Option /PCS = 120V Swivel Photocell /PCS2 = 277V Swivel Photocell