



Color: Bronze

Weight: 6.6 lbs

Project:	Type:
Prepared By:	Date:

Driver Info		LED Info	
Type	Constant Current	Watts	35/25/17W
120V	0.30A/0.21A/0.15	Color Temp	3000K/4000K/5000K
208V	0.17A/0.13A/0.09A	Color Accuracy	73-75 CRI
240V	0.15A/0.11A/0.08A	L70 Lifespan	100,000 Hours
277V	0.13A/0.09A/0.07A	Lumens	2,728-5,574 lm
Input Watts	18.7-39.1W	Efficacy	131.3-153 lm/W

Technical Specifications

Field Adjustability

Field Adjustable:

Field Adjustable Light Output:
35W/25W/17W (factory default 35W)
Color temperature selectable by 5000K, 4000K and 3000K

Compliance

UL Listed:

Suitable for wet locations

Trade Agreements Act Compliant:

This product is a product of Cambodia and a "designated country" end product that complies with the Trade Agreements Act

DLC Listed:

This product is listed by Design Lights Consortium (DLC) as an ultra-efficient premium product that qualifies for the highest tier of rebates from DLC Member Utilities. Designed to meet DLC 5.1 requirements.
DLC Product Code: S-4568AI

Electrical

Driver:

Constant Current, Class 2, 120-277V, 50/60Hz:
35W: 120V: 0.30A, 208V: 0.17A, 240V: 0.15A, 277V: 0.13A
25W: 0.21A, 208V: 0.13A, 240V: 0.11A, 277V: 0.09A
17W: 120V: 0.15A, 208V: 0.09A, 240V: 0.08A, 277V: 0.07A

Dimming Driver:

Driver includes dimming control wiring for 0-10V dimming systems. Requires separate 0-10V DC dimming circuit. Dims down to 10%.

THD:

2.85% at 120V, 6.55% at 277V

Power Factor:

99.5% at 120V, 92% at 277V

Photocell:

Integrated photocell included with on/off switch

Performance

Lifespan:

100,000-Hour LED lifespan based on IES LM-80 results and TM-21 calculations

Wattage Equivalency:

35W: Replaces up to 175W Metal Halide or 150W High Pressure Sodium
25W: Replaces up to 125W Metal Halide or 100W High Pressure Sodium
17W: Replaces up to 100W Metal Halide or 70W High Pressure Sodium

LED Characteristics

LEDs:

Long-life, high-efficacy, surface-mount LEDs

Color Uniformity:

RAB's range of Correlated Color Temperature follows the guidelines of the American National Standard for Specifications for the Chromaticity of Solid State Lighting (SSL) Products, ANSI C78.377-2017.

Construction

Housing:

Die-cast aluminum

Lens:

Glass

Reflector:

Specular aluminum

Cold Weather Starting:

The minimum starting temperature is -40°C (-40°F)

Maximum Ambient Temperature:

Suitable for use in up to 40°C (104°F)

Mounting:

Die-cast backbox with four (4) conduit entry points and knockout pattern for junction box or direct wall mounting. Hinged door for easy re-assembly.

Green Technology:

Mercury and UV free. RoHS-compliant components.

Technical Specifications (continued)

Finish:

Formulated for high durability and long-lasting color

Optical

BUG Rating:

35W: B0 U3 G3

25W: B0 U3 G2

17W: B0 U2 G2

Other

5 Yr Limited Warranty:

The RAB 5-year, limited warranty covers light output, driver performance and paint finish. RAB's warranty is subject to all terms and conditions found at rablighting.com/warranty.

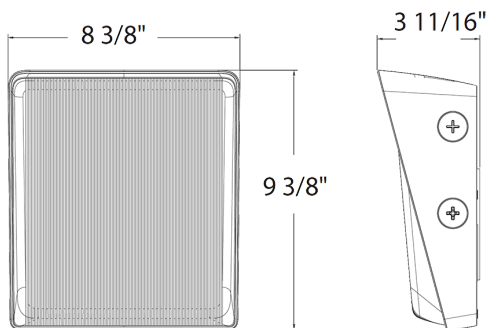
Note:

All values are typical (tolerance +/- 10%)

Buy American Act Compliance:

RAB values USA manufacturing! Upon request, RAB may be able to manufacture this product to be compliant with the Buy American Act (BAA). Please contact customer service to request a quote for the product to be made BAA compliant.

Dimensions



Features

100,000-Hour LED lifespan

0-10V dimming standard

5-Year, limited warranty

Ordering Matrix

Family	Size (Wattages)	Color Temp	Finish	Voltage	Options
W34	S				
S = Small (35W/25W/17W) M = Medium (80W/60W/40W) L = Large (150W/100W/75W)		Blank = 3000K/4000K/5000K CCT Adjustable	Blank = Bronze	Blank = 120-277V, 0-10V Dimming	Blank = Integrated Photocell