



Ultra-economy wall pack with traditional look.

Color: Bronze

Weight: 6.8 lbs

Project:

Type:

Prepared By:

Date:

### Driver Info

Type	Constant Current
120V	0.29A
208V	0.16A
240V	0.14A
277V	0.13A
Input Watts	33.5W

### LED Info

Watts	33W
Color Temp	4000K (Neutral)
Color Accuracy	83 CRI
L70 Lifespan	50,000 Hours
Lumens	4,222 lm
Efficacy	126 lm/W

## Technical Specifications

### Other

#### Buy American Act Compliance:

RAB values USA manufacturing! Upon request, RAB may be able to manufacture this product to be compliant with the Buy American Act (BAA). Please contact customer service to request a quote for the product to be made BAA compliant.

### Electrical

#### Driver:

Constant Current, Class 2, 120-277V, 50/60Hz, 120V: 0.29A, 208V: 0.16A, 240V: 0.14A, 277V: 0.13A

#### THD:

5.09% at 120V, 3.67% at 277V

#### Power Factor:

99.5% at 120V, 93.9% at 277V

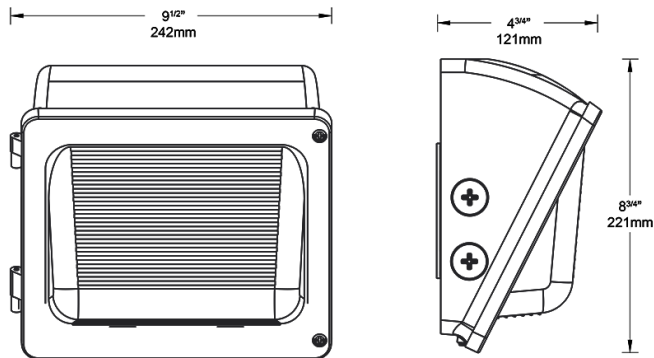
### Compliance

#### DLC Listed:

This product is on the Design Lights Consortium (DLC) Qualified Products List and is eligible for rebates from DLC Member Utilities. Designed to meet DLC 5.1 requirements.

DLC Product Code: PWWU0KSP

## Dimensions



## Features

- Economy-grade wall pack with traditional look
- Covers footprint of small HID wall packs
- Available in various lumen packages
- Integrated 0-10V dimming
- 50,000-Hour LED lifespan

## Ordering Matrix

Family		Lumen Package		CRI/Color Temp	Voltage	Options
W34	-	35L	-	840		/LC
		30L = 3,500lm, 30W 35L = 4,000lm, 33W		Blank = 80 CRI / 5000K 840 = 80 CRI / 4000K 830 = 80 CRI / 3000K	Blank = 120-277V, 0-10V Dimming /480 = 480V, 0-10V Dimming	Blank = No Option /PCU = 120-277V Button Photocell /MVS = Microwave Motion Sensor /LC = 120-277V Lightcloud® Control

*All values are nominal with +/- 10% tolerance. See spec sheet for more details.*