



Ultra-economy wall pack with traditional look.

Color: Bronze

Weight: 7.2 lbs

<b>Project:</b>	<b>Type:</b>
<b>Prepared By:</b>	<b>Date:</b>

Driver Info		LED Info	
Type	Constant Current	Watts	33W
120V	0.29A	Color Temp	3000K (Warm)
208V	0.16A	Color Accuracy	84 CRI
240V	0.14A	L70 Lifespan	50,000 Hours
277V	0.13A	Lumens	4,046 lm
Input Watts	33.5W	Efficacy	120.8 lm/W

## Technical Specifications

### Compliance

#### UL Listed:

Suitable for wet locations. Suitable for mounting within 4 feet of the ground.

#### DLC Listed:

This product is on the Design Lights Consortium (DLC) Qualified Products List and is eligible for rebates from DLC Member Utilities. Designed to meet DLC 5.1 requirements.

DLC Product Code: P80XBP0Y

### Performance

#### Lifespan:

50,000-Hour LED lifespan based on IES LM-80 results and TM-21 calculations

#### Wattage Equivalency:

Equivalent to 100W Metal Halide

### Other

#### Note:

All values are typical (tolerance +/- 10%)

#### Replacement:

Replaces up to 100W Metal Halide

### 5 Yr Limited Warranty:

The RAB 5-year, limited warranty covers light output, driver performance and paint finish. RAB's warranty is subject to all terms and conditions found at [rablighting.com/warranty](http://rablighting.com/warranty).

### Buy American Act Compliance:

RAB values USA manufacturing! Upon request, RAB may be able to manufacture this product to be compliant with the Buy American Act (BAA). Please contact customer service to request a quote for the product to be made BAA compliant.

### LED Characteristics

#### LEDs:

Long-life, high-efficiency, surface-mount LEDs

#### Color Uniformity:

RAB's range of Correlated Color Temperature follows the guidelines of the American National Standard for Specifications for the Chromaticity of Solid State Lighting (SSL) Products, ANSI C78.377-2017.

### Construction

#### Housing:

Die-cast aluminum

#### Lens:

Glass

### Reflector:

Specular aluminum

### Cold Weather Starting:

The minimum starting temperature is -40°C (-40°F)

### Maximum Ambient Temperature:

Suitable for use in up to 40°C (104°F)

### Mounting:

Die-cast backbox with four (4) conduit entry points and knockout pattern for junction box or direct wall mounting. Hinged door for easy re-assembly.

### Green Technology:

Mercury and UV free. RoHS-compliant components.

### Finish:

Formulated for high durability and long-lasting color

### Sensor Specifications

#### Microwave Motion Sensor:

Microwave based technology occupancy sensor that automatically affect the operation of lighting equipment based upon detecting the presence or absence of people in a space.

#### Capacitance Load:

400VA at 120VAC, 800VA at 230VAC, 1000VA at 277VAC

## Technical Specifications (continued)

**Operating Temperature:**  
-20°C to +60°C (-4°F to +140°F)

**THD:**  
5.16% at 120V, 3.55% at 277V

**Relay:**  
Zero-cross relay

**Power Factor:**  
99.4% at 120V, 93.9% at 277V

**Maximum Mounting Height:**  
16.4 feet

**Customizable Detection Area:**  
10, 50, 75 or 100%

**Time Delay:**  
5s, 30s, 1min, 5min, 10min, 20min, 30min

**Cut Off Period:**  
0s, 10s, 1min, 5min, 10min, 30min, 1hr, Bi-Level

**Cut-Off Dimming level:**  
10, 20, 30, 50%

**Cut-Off Power:**  
Less than 1W

**Daylight Threshold:**  
About .2-5 fc for disabled

**Sensor Principle:**  
High Frequency

**Microwave Frequency:**  
5.8GHz +/- 75MHz

**Microwave Power:**  
<0.2mW

**Max Detection Range:**  
26 ft diameter at 16 ft mounting height

**Detection Angle:**  
About 30 to 150 degrees

**Remote Control Accessory:**  
Adjust settings using remote control (catalog# MVSREM). Only available with 0-10V dimming driver options. [Remote control available here.](#)

---

### Optical

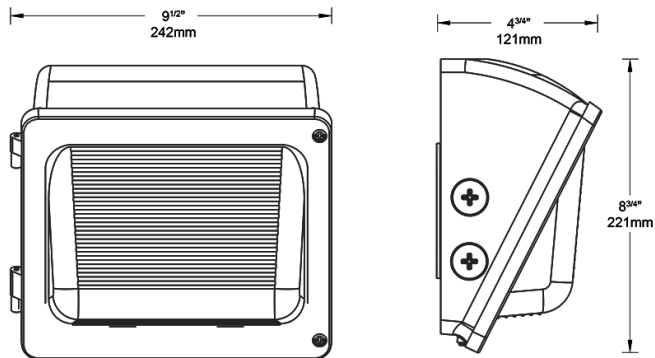
**BUG Rating:**  
B1 U3 G1

---

### Electrical

**Driver:**  
Constant Current, Class 2, 120-277V, 50/60Hz, 480V:

## Dimensions



## Features

- Economy-grade wall pack with traditional look
- Covers footprint of small HID wall packs
- Available in various lumen packages
- Integrated 0-10V dimming
- 50,000-Hour LED lifespan

## Ordering Matrix

Family	Lumen Package	CRI/Color Temp	Voltage	Options
W34	35L	830		/MVS
	30L = 3,500lm, 30W 35L = 4,000lm, 33W	Blank = 80 CRI / 5000K 840 = 80 CRI / 4000K 830 = 80 CRI / 3000K	Blank = 120-277V, 0-10V Dimming /480 = 480V, 0-10V Dimming	Blank = No Option /PCU = 120-277V Button Photocell /MVS = Microwave Motion Sensor /LC = 120-277V Lightcloud® Control

All values are nominal with +/- 10% tolerance. See spec sheet for more details.