

INSTRUCTIONS

W34 WALL PACK INSTALLATION

RAB®

RAB Lighting is committed to creating high-quality, affordable, well-designed and energy-efficient LED lighting and controls that make it easy for electricians to install and end users to save energy. We'd love to hear your comments. Please call the Marketing Department at 888-RAB-1000 or email: marketing@rablighting.com

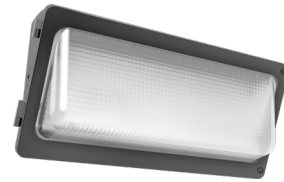
W34-30L/35L



W34-55L/70L/90L



W34-150L



IMPORTANT

READ CAREFULLY BEFORE INSTALLING FIXTURE. RETAIN THESE INSTRUCTIONS FOR FUTURE REFERENCE.

RAB fixtures must be wired in accordance with the National Electrical Code and all applicable local codes. Proper grounding is required for safety. THIS PRODUCT MUST BE INSTALLED IN ACCORDANCE WITH THE APPLICABLE INSTALLATION CODE BY A PERSON FAMILIAR WITH THE CONSTRUCTION AND OPERATION OF THE PRODUCT AND THE HAZARDS INVOLVED.

WARNINGS:

- Make certain power is OFF before installing or maintaining fixture.

NOTE:

- No user maintenance or cleaning required.

CAUTION:

- For proper weatherproof function all gaskets must be seated properly and all screws inserted and tightened firmly. Apply weatherproof silicone sealant around the edge of the wall box. This is especially important with an uneven wall surface. Silicone all plugs and unused conduit entries.

MOUNTING FIXTURE TO THE WALL

Fixture should not be recessed. Mount fixture on a wall with lens facing down as shown below. Use the **Drill Template** on the inside back surface of the housing to match most standard junction boxes or utilize **Lag Bolt Locations** (4) indicated on **Fig. 1** to mount

1. Open door by loosening (2) screws. Remove **Reflector** by loosening (2) screws. Reflector will hang by secured tether during installation as shown in **Fig. 2**.
2. Prepare the **Housing** for use by drilling out the appropriate holes.
3. Line up the **Housing** in desired location and mount securely.
4. Complete the wiring to the supply wires and ground (*see wiring instructions*).
5. Install the **Reflector** back into its original position as shown on **Fig. 3** (*shown on next page*).

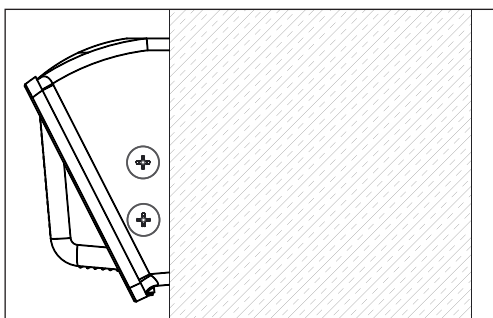


FIG. 1

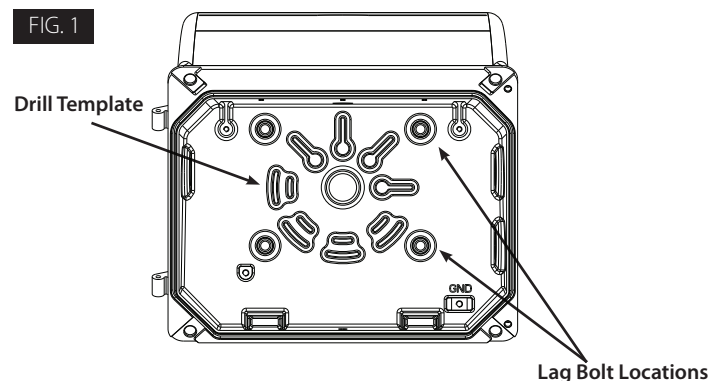
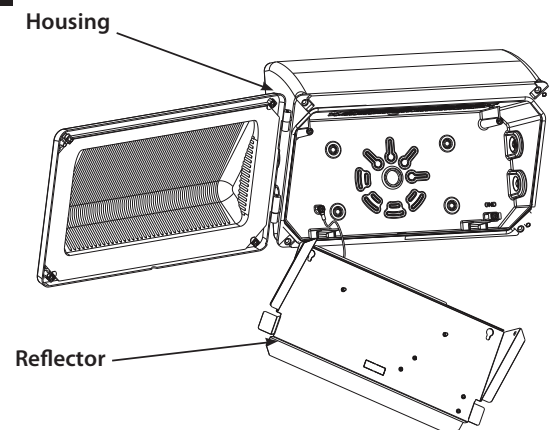


FIG. 2



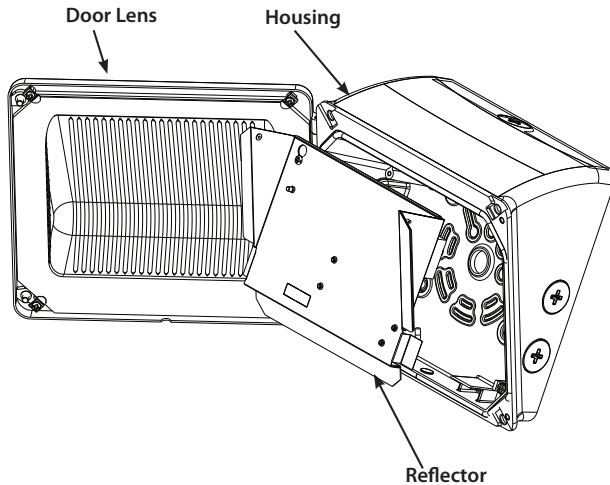
INSTRUCTIONS

W34 WALL PACK INSTALLATION



RAB Lighting is committed to creating high-quality, affordable, well-designed and energy-efficient LED lighting and controls that make it easy for electricians to install and end users to save energy. We'd love to hear your comments. Please call the Marketing Department at 888-RAB-1000 or email: marketing@rablighting.com

FIG. 3



TROUBLESHOOTING

1. Check that the line voltage at the fixture is correct. Refer to wiring directions.
2. Be sure the fixture is grounded properly.
3. Is the photocell, if used, functioning properly?
4. Check if the fuse has blown out.

CLEANING & MAINTENANCE

CAUTION: Be sure fixture temperature is cool enough to touch. Do not clean or maintain while fixture is energized.

1. Clean glass lens with non-abrasive, glass cleaning solution.
2. Do not open fixture to clean the LED. Do not touch the LED.
3. No user maintenance or cleaning required.

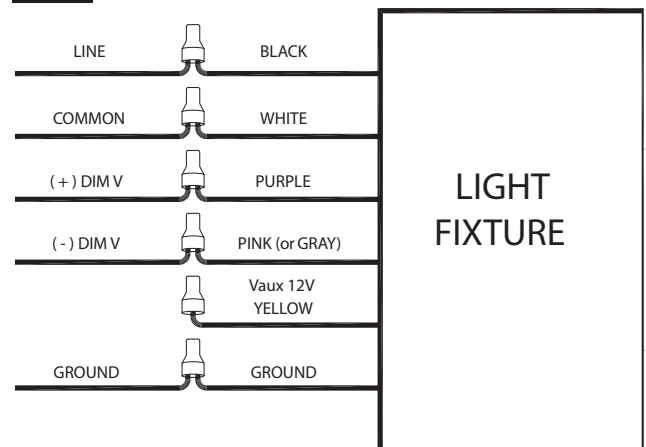
0-10V DIMMABLE WIRING

Universal voltage driver permits operation at 120V thru 277V, 50 or 60 Hz. Units ordered with (/480V) suffix are 480V, 60Hz. For 0-10V Dimming, follow the wiring directions as shown in Fig. 4.

1. Connect the black fixture lead to the LINE supply lead.
2. Connect the white fixture lead to the COMMON supply lead.
3. Connect the GROUND wire from fixture to supply ground.
4. Connect the purple fixture lead to the (V+) DIM lead.
5. Connect the pink (or gray) fixture lead to the (V-) DIM lead.
6. Cap the yellow fixture lead if present. Do NOT connect.

NOTE: Do not connect DIM V+ (purple)/DIM V- (pink/gray) to line voltage or supply ground.

FIG. 4



INSTRUCTIONS

W34 WALL PACK INSTALLATION



RAB Lighting is committed to creating high-quality, affordable, well-designed and energy-efficient LED lighting and controls that make it easy for electricians to install and end users to save energy. We'd love to hear your comments. Please call the Marketing Department at 888-RAB-1000 or email: marketing@rablighting.com

DIMENSIONAL DRAWINGS

W34-30L/35L



W34-55L/70L/90L



W34-150L



© 2021 RAB LIGHTING Inc.

W34-IN-1021
73667-RAB

Easy Answers

rablighting.com
Visit our website for product info

Tech Help Line
Call our experts: 888 722-1000

e-mail
Answered promptly - sales@rablighting.com

Free Lighting Layouts
Answered online or by request

RAB WARRANTY: RAB'S warranty is subject to all terms and conditions found at rablighting.com/warranty.