



Ultra-economy wall pack with traditional look.

Color: Bronze

Weight: 7.2 lbs

Project:	Type:
Prepared By:	Date:

Driver Info		LED Info	
Type	Constant Current	Watts	30W
120V	N/A	Color Temp	3000K (Warm)
208V	N/A	Color Accuracy	84 CRI
240V	N/A	L70 Lifespan	50,000 Hours
277V	N/A	Lumens	3,441 lm
Input Watts	27.6W	Efficacy	124.7 lm/W

Technical Specifications

Compliance

UL Listed:

Suitable for wet locations. Suitable for mounting within 4 feet of the ground.

DLC Listed:

This product is on the Design Lights Consortium (DLC) Qualified Products List and is eligible for rebates from DLC Member Utilities. Designed to meet DLC 5.1 requirements.

DLC Product Code: P8S0VYEO

Performance

Lifespan:

50,000-Hour LED lifespan based on IES LM-80 results and TM-21 calculations

Wattage Equivalency:

Equivalent to 70W Metal Halide

Other

Note:

All values are typical (tolerance +/- 10%)

Replacement:

Replaces up to 100W Metal Halide

5 Yr Limited Warranty:

The RAB 5-year, limited warranty covers light output, driver performance and paint finish. RAB's warranty is subject to all terms and conditions found at rablighting.com/warranty.

Buy American Act Compliance:

RAB values USA manufacturing! Upon request, RAB may be able to manufacture this product to be compliant with the Buy American Act (BAA). Please contact customer service to request a quote for the product to be made BAA compliant.

LED Characteristics

LEDs:

Long-life, high-efficiency, surface-mount LEDs

Color Uniformity:

RAB's range of Correlated Color Temperature follows the guidelines of the American National Standard for Specifications for the Chromaticity of Solid State Lighting (SSL) Products, ANSI C78.377-2017.

Construction

Housing:

Die-cast aluminum

Lens:

Glass

Reflector:

Specular aluminum

Cold Weather Starting:

The minimum starting temperature is -40°C (-40°F)

Maximum Ambient Temperature:

Suitable for use in up to 40°C (104°F)

Mounting:

Die-cast backbox with four (4) conduit entry points and knockout pattern for junction box or direct wall mounting. Hinged door for easy re-assembly.

Green Technology:

Mercury and UV free. RoHS-compliant components.

Finish:

Formulated for high durability and long-lasting color

Optical

BUG Rating:

B1 U3 G1

Electrical

Driver:

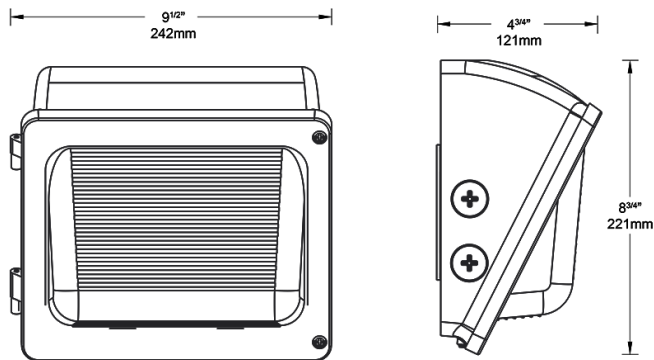
Constant Current, Class 2, 120-277V, 50/60Hz, 120V: 0.25A, 208V: 0.15A, 240V: 0.13A, 277V: 0.12A

Technical Specifications (continued)

THD:
4.32% at 480V

Power Factor:
92.5% at 480V

Dimensions



Features

- Economy-grade wall pack with traditional look
- Covers footprint of small HID wall packs
- Available in various lumen packages
- Integrated 0-10V dimming
- 50,000-Hour LED lifespan

Ordering Matrix

Family	Lumen Package	CRI/Color Temp	Voltage	Options
W34	30L	830	/480	
	30L = 3,500lm, 30W 35L = 4,000lm, 33W	Blank = 80 CRI / 5000K 840 = 80 CRI / 4000K 830 = 80 CRI / 3000K	Blank = 120-277V, 0-10V Dimming /480 = 480V, 0-10V Dimming	Blank = No Option /PCU = 120-277V Button Photocell /MVS = Microwave Motion Sensor /LC = 120-277V Lightcloud® Control

All values are nominal with +/- 10% tolerance. See spec sheet for more details.