



Die cast aluminum wiring box with weatherproof gasket, ground screw, and two sturdy lugs for wall or ceiling mounting.

Color: Natural

Weight: 0.7 lbs

Project:	Type:
Prepared By:	Date:

**Technical Specifications**

**Compliance**

**UL Listed:**

Suitable for wet locations

**Construction**

**Box Material:**

Precision die cast aluminum

**Gaskets:**

1/8" thick closed cell EPDM Foam for long lasting seal that won't crumple or break

**Screws:**

10-24 Stainless steel Round Head Phillips/slotted

**Ground Screw:**

# 10-24 Green corrosion protected steel slotted washer head screw provided in pre-tapped hole

**Box Diameter:**

4"

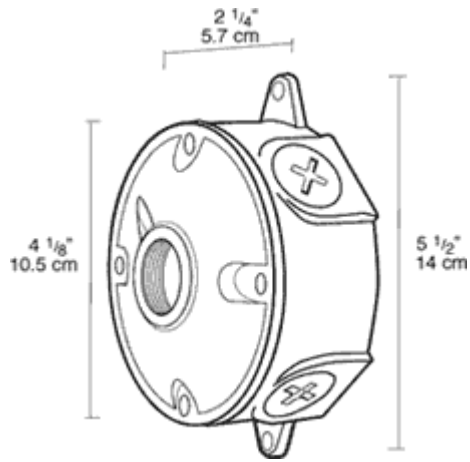
**Side Hole Thread Size:**

1/2"

**Other**

**Buy American Act Compliance:**

RAB values USA manufacturing! Upon request, RAB may be able to manufacture this product to be compliant with the Buy American Act (BAA). Please contact customer service to request a quote for the product to be made BAA compliant.

**Dimensions****Features**

- Stainless steel screws
- Green hex slotted washer head ground screw in pre-tapped hole
- Heavy die cast aluminum
- Close-up plugs allow Phillips or slotted screwdrivers for easy installation
- 1/8" thick weather seal gasket is closed cell foam rubber for long lasting seal that won't crumble or break