



Die cast aluminum wiring box with ground screw, and two sturdy lugs for wall or ceiling mounting. Supplied with four color matched close-up plugs.

Color: Silver gray

Weight: 0.7 lbs

Project:	Type:
Prepared By:	Date:

Technical Specifications

Compliance

UL Listed:

Suitable for wet locations

Construction

Box Material:

Precision die cast aluminum

Screws:

10-24 Stainless steel Round Head Phillips/slotted

Ground Screw:

10-24 Green corrosion protected steel slotted washer head screw provided in pre-tapped hole

Box Diameter:

4"

Side Hole Thread Size:

3/4"

Weight Capacity:

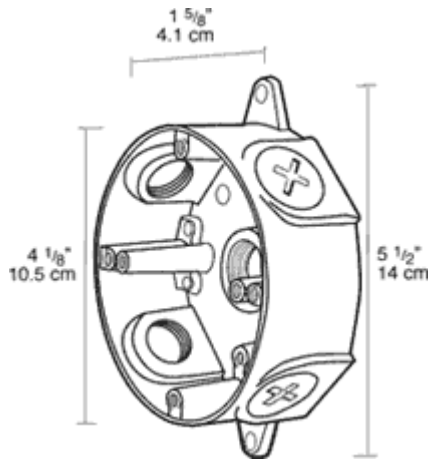
If the fixture you are using weighs more than 20 lbs, use an XC cover plate instead of a C103.

Other

Buy American Act Compliance:

RAB values USA manufacturing! Upon request, RAB may be able to manufacture this product to be compliant with the Buy American Act (BAA). Please contact customer service to request a quote for the product to be made BAA compliant.

Dimensions



Features

- Stainless steel screws
- Green hex slotted washer head ground screw in pre-tapped hole
- Heavy die cast aluminum
- Close-up plugs allow Phillips or slotted screwdrivers for easy installation