



Vaporproof CFL Bracket with Emergency Battery Backup. Lamp supplied.  
 Color: Bronze Weight: 8.8 lbs

<b>Project:</b>	<b>Type:</b>
<b>Prepared By:</b>	<b>Date:</b>

Lamp Info		Ballast Info	
Type	32w Triple	Type	Elec HPF QT
Watts	32W	120V	N/A
Shape/Size	N/A	208V	N/A
Base	N/A	240V	N/A
ANSI	N/A	277V	0.13A
Hours	12,000	Input Watts	32W
Lamp Lumens	2,400 lm		
Efficacy	75 lm/W		

**Technical Specifications**

**Compliance**

**UL Listed:**

Suitable for Wet Locations as a downlight. Wall Mount Only.

**Electrical**

**THD:**

7.3% at 347V

**Battery Backup:**

Bodine "Coldpak" will operate the CFL lamp for 90 minutes if power fails. Rated -20°C to +55°C. Battery is a maintenance free NiCad with 7 - 10 year life. Wired for 277V.

**Socket:**

CFL White thermo plastic with integral clips for lamp retention

**Construction**

**Globes:**

Clear prismatic, heat resistant glass standard. White glass globes available. Colored and clear unbreakable RAB Permaglobes available for CFL only.

**Optional Reflectors:**

Highly reflective white baked polyester epoxy powder finish over a heavy gauge aluminum base. Reflectors thread onto fixtures.

**Construction:**

Die cast aluminum with stainless steel screws

**Guard:**

One piece die cast aluminum with set screw

**Ballast Minimum Starting Temperature:**

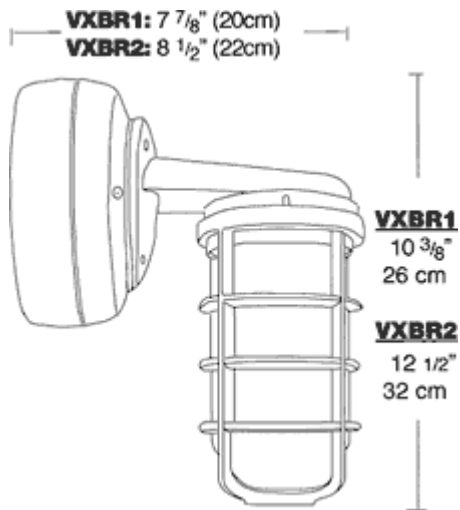
0° F

**Other**

**Buy American Act Compliance:**

RAB values USA manufacturing! Upon request, RAB may be able to manufacture this product to be compliant with the Buy American Act (BAA). Please contact customer service to request a quote for the product to be made BAA compliant.

## Dimensions



## Features

- Emergency battery backup meets NEC requirement
- Test button for required maintenance checks
- Indicator light illuminates when charging
- Maintenance free NiCad battery has 7-10 year life
- CFL lamp included