



Die cast aluminum wiring box with weatherproof gasket, ground screw, and two sturdy lugs for wall or ceiling mounting. Die cast aluminum cover with three 1/2" holes supplied with 2 stainless steel screws and one close-up plug.

Color: Natural

Weight: 2.2 lbs

Project:

Type:

Prepared By:

Date:

Lamp Info

Ballast Info

Type	N/A	Type	N/A
Watts	N/A	120V	N/A
Shape/Size	Round	208V	N/A
Base	N/A	240V	N/A
ANSI	N/A	277V	N/A
Hours	N/A	Input Watts	N/A
Lamp Lumens	N/A		
Efficacy	N/A		

Technical Specifications

Compliance

UL Listed:

Suitable for wet locations

Construction

Box Material:

Precision die cast aluminum

Gaskets:

1/8" thick closed cell EPDM Foam for long lasting seal that won't crumple or break

Screws:

10-24 Stainless steel Round Head Phillips/slotted

Ground Screw:

10-24 Green corrosion protected steel slotted washer head screw provided in pre-tapped hole

Box Diameter:

4"

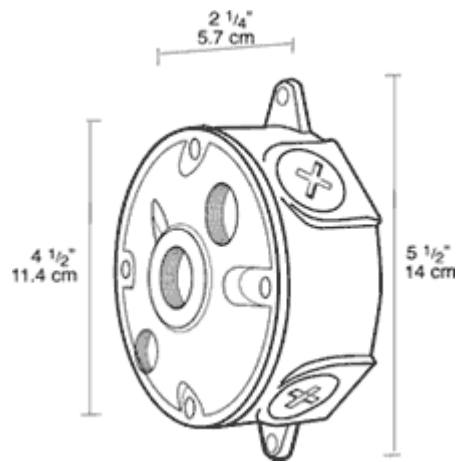
Side Hole Thread Size:

3/4"

Other

Buy American Act Compliance:

RAB values USA manufacturing! Upon request, RAB may be able to manufacture this product to be compliant with the Buy American Act (BAA). Please contact customer service to request a quote for the product to be made BAA compliant.

Dimensions**Features**

- Stainless steel screws
- Green hex slotted washer head ground screw in pre-tapped hole
- Heavy die cast aluminum
- Close-up plugs allow Phillips or slotted screwdrivers for easy installation
- 1/8" thick weather seal gasket is closed cell foam rubber for long lasting seal that won't crumble or break