

INSTRUCTIONS

VX20 FIELD-ADJUSTABLE INSTALLATION



RAB Lighting is committed to creating high-quality, affordable, well-designed and energy-efficient LED lighting and controls that make it easy for electricians to install and end users to save energy. We'd love to hear your comments. Please call the Marketing Department at 888-RAB-1000 or email: marketing@rablighting.com



IMPORTANT

READ CAREFULLY BEFORE INSTALLING FIXTURE. RETAIN THESE INSTRUCTIONS FOR FUTURE REFERENCE.

RAB fixtures must be wired in accordance with the National Electrical Code and all applicable local codes. Proper grounding is required for safety. THIS PRODUCT MUST BE INSTALLED IN ACCORDANCE WITH THE APPLICABLE INSTALLATION CODE BY A PERSON FAMILIAR WITH THE CONSTRUCTION AND OPERATION OF THE PRODUCT AND THE HAZARDS INVOLVED.

WARNING: Make certain power is OFF before installing or maintaining fixture. No user serviceable parts inside.

CAUTION: For proper weatherproof function all gaskets must be seated properly and all screws inserted and tightened firmly. Apply weatherproof silicone sealant around the edge of the junction box. This is especially important with an uneven surface. Silicone all plugs and unused conduit entries.

CAUTION: Risk of Fire.

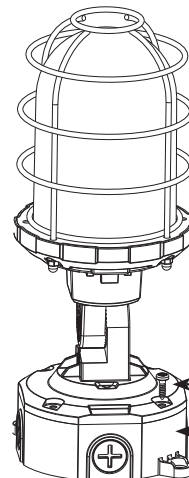
Suitable for Wet Locations. Fixture may be installed in any position.

Suitable for operation in ambient not exceeding -45°C.

CEILING / WALL MOUNT INSTALLATION

1. Loosen (1) Junction Box Screw from J-Box plate as shown in Fig. 1.
2. Open Junction Box use (2) Screws (provided) or appropriate hardware (by others) for the mounting surface to install the Junction Box (Fig. 2). Note, Up Arrow on Junction Box indicates position facing UP (Fig. 2).
3. Fixture will hang from Hinge Pins or can be removed from the Junction Box, see Fig. 2.1.
3. Make the necessary wiring connections. Wire the fixture using UL listed wire connectors according to NEC and local codes. See wiring diagram, Fig. 4.
4. Re-install Fixture to the Junction Box with (4) Screws (provided), ensure that the silicone gasket is in place.
5. Seal all holes, plugs, and conduit entries with weatherproof silicone sealant

Fig: 1



Accessories Included

- M4*20 Screw x5
- Wire Nuts x3
- Screw Anchors x2

Fig: 2

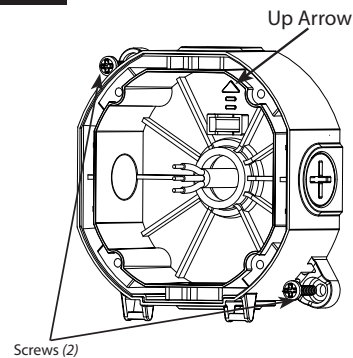
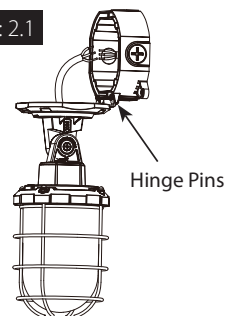


Fig: 2.1



INSTRUCTIONS

VX20 FIELD-ADJUSTABLE INSTALLATION



RAB Lighting is committed to creating high-quality, affordable, well-designed and energy-efficient LED lighting and controls that make it easy for electricians to install and end users to save energy. We'd love to hear your comments. Please call the Marketing Department at 888-RAB-1000 or email: marketing@rablighting.com

FIELD ADJUSTMENT

Fixture can angle up or down rotating from Pivot Screw +/- 90°, DO NOT loosen the Pivot Screw (Fig. 3).

Photocell Operation:

This product is equipped with a photocell. Photocell factory setting is set to the "OFF" position. Should you wish to enable the Photocell "ON" feature push down the photocell button to enable the "ON" position (Fig 3). If the Photocell is set to the "ON" position and it is daylight it may take up to 60-seconds for the light to turn off.

Color Temperature (CCT) Selection:

This product is equipped with 3000K, 4000K or 5000K (CCT) Color Temperature selection. For maximum light output use the 4000K Color Temperature.

Power (Wattage) Selection:

This product is equipped with power output selection.
20/16/12W

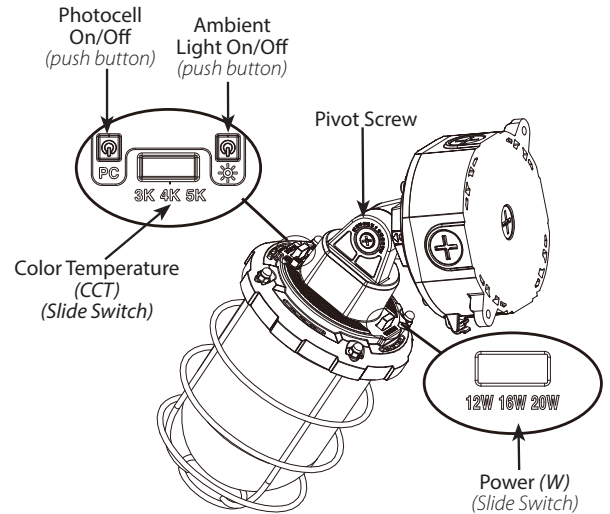
Follow instructions below to change Color Temperature (CCT) Power (W) Photocell On/Off and/or Ambient Light operation from factory settings.

Factory Settings:

- 20W
- 4000K
- Photocell/OFF
- Ambient Light/On

1. Locate the Selector Switches and Photocell button on housing as shown in figure Fig. 3.
2. Select Color Temperature (CCT), Power (W), Photocell ON/OFF

Fig: 3

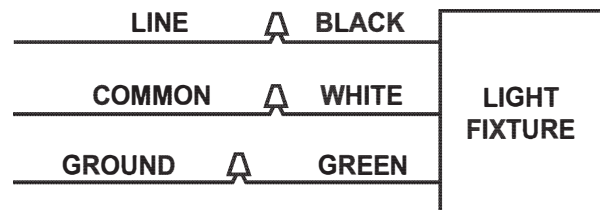


WIRING

Universal voltage driver permits operation at 120V through 277V 50 or 60 Hz. See wiring diagram, Fig. 4.

1. Connect the black fixture lead to the LINE supply lead.
2. Connect the white fixture lead to the COMMON supply lead.
3. Connect the GROUND wire from fixture to supply ground.

Fig: 4



INSTRUCTIONS

VX20 FIELD-ADJUSTABLE INSTALLATION



RAB Lighting is committed to creating high-quality, affordable, well-designed and energy-efficient LED lighting and controls that make it easy for electricians to install and end users to save energy. We'd love to hear your comments. Please call the Marketing Department at 888-RAB-1000 or email: marketing@rablighting.com

CLEANING & MAINTENANCE

CAUTION: Be sure fixture temperature is cool enough to touch. Do not clean or maintain while fixture is energized.

1. Lens should be washed in a solution of warm water and any mild, non-abrasive household detergent, rinsed with clean water and wiped dry.

WARNING: Polycarbonate is affected by cleaning agents or other liquids containing partial solvents such as low molecular weight aldehydes and ethers, ketones, esters, aromatic hydrocarbons and perchlorinated hydrocarbons. In addition, chemical attack ranging from partial to complete destruction of polycarbonate occurs in contact with alkalines, alkali salts, amines and high zone concentrations. Please go to rablighting.com for a detailed list of damaging chemicals.

2. Do not open fixture to clean the LED. Do not touch the LED.

TROUBLESHOOTING

1. Check that the line voltage at fixture is correct.
2. Is there voltage at the lamp fixture wires? If there is no voltage, check all connections.
3. Is the fixture grounded properly?

Note: These instructions do not cover all details or variations in equipment nor do they provide for every possible situation during installation, operation or maintenance.



© 2025 RAB LIGHTING Inc.

VX20 - IN - 0125
P-101564

Easy Answers

rablighting.com
Visit our website for product info

Tech Help Line
Call our experts: 888 722-1000

e-mail
Answered promptly - tech@rablighting.com

Free Lighting Layouts
Answered online or by request

RAB WARRANTY: RAB's warranty is subject to all terms and conditions found at rablighting.com/warranty.