



Die cast aluminum construction. Mounts to existing surface or recessed 4" boxes. Adapter plate provided. Medium base socket and a variety of globes. incandescent lamp A21 for 100 Series, P525 for 200 series. Lamp not supplied.

Color: Natural

Weight: 4.2 lbs

Project:

Type:

Prepared By:

Date:

Lamp Info

Type	A19
Watts	150W
Shape/Size	N/A
Base	N/A
ANSI	N/A
Hours	N/A
Lamp Lumens	N/A
Efficacy	N/A

Ballast Info

Type	N/A
120V	N/A
208V	N/A
240V	N/A
277V	N/A
Input Watts	N/A

Technical Specifications

Compliance

UL Listed:

Suitable for wet locations. Suitable for use in dwellings. Suitable for use with 90°C supply wiring. Complies with UL Standard 1598. For non-hazardous locations where the lamp, socket and wiring require protection from rain, corrosive fumes, non-combustible dusts, moisture, non-explosive vapors and gases. For lamp base up installation only when outdoors.

Construction

Globes:

Supplied with clear thermal shock resistant soda lime glass unless otherwise stated. Colored and white glass globes available. Unbreakable Permaglobes available in clear and in color.

Die Cast Guard:

Supplied with one piece die cast guard with set screw

Electrical

Maximum Watts:

150W

Colored Globe Maximum Watts:

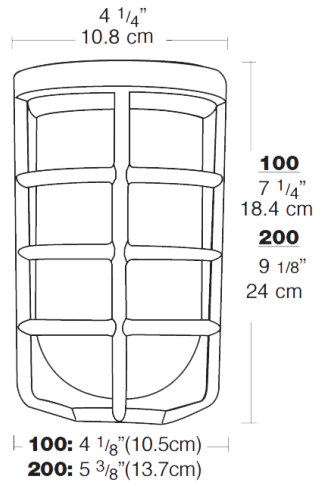
100W

Other

Buy American Act Compliance:

RAB values USA manufacturing! Upon request, RAB may be able to manufacture this product to be compliant with the Buy American Act (BAA). Please contact customer service to request a quote for the product to be made BAA compliant.

Dimensions



Features

- All stainless steel hardware
- Close-up plugs allow Phillips or slotted screwdrivers for easy installation
- UL Listed for use with 90°C supply wiring OK for use in dwellings and wet locations
- High temperature silicone internal gaskets
- Premium porcelain socket with 150C 8" long leads
- Clear heat resistant glass globes standard Polycarbonate Permaglobes sold separately