



<b>Project:</b>	<b>Type:</b>
<b>Prepared By:</b>	<b>Date:</b>

Driver Info		LED Info	
Type	Constant Current	Watts	40W
120V	0.34A	Color Temp	3000K (Warm)
208V	0.20A	Color Accuracy	83 CRI
240V	0.17A	L70 Lifespan	100,000 Hours
277V	0.15A	Lumens	5,844 lm
Input Watts	40W	Efficacy	146.2

**Technical Specifications**

**Compliance**

**UL Listed:**

Suitable for Wet Locations. Covered Ceiling Mount Only.

**IP Rating:**

Ingress protection rating of IP66 for dust and water

**DLC Listed:**

This product is listed by Design Lights Consortium (DLC) as an ultra-efficient premium product that qualifies for the highest tier of rebates from DLC Member Utilities. Designed to meet DLC 5.1 requirements.

DLC Product Code: PZZZQWQ6 (DLC Premium: Stairwell and Passageway Luminaires)

DLC Product Code: S-VKWNHA (DLC Standard: Canopy Lighting)

**Electrical**

**Driver:**

Class 2, Constant Current, 120-277V, 50-60Hz, 120V: 0.34A, 208V: 0.20A, 240V: 0.17A, 277V: 0.15A

**Dimming Driver:**

Driver includes dimming control wiring for 0-10V dimming systems. Requires separate 0-10V DC dimming circuit. Dims down to 10%.

**THD:**

2.67% at 120V, 6.79% at 277V

**Power Factor:**

99.68% at 120V, 94.08% at 277V

**Photocell:**

277V Swivel photocell included. Photocell is compatible with 208V-277V.

**LED Characteristics**

**LEDs:**

Long-life, high-efficacy, surface-mount LEDs

**Color Stability:**

RAB LEDs exceed industry standards for chromatic stability

**Color Uniformity:**

RAB's range of Correlated Color Temperature follows the guidelines of the American National Standard for Specifications for the Chromaticity of Solid State Lighting (SSL) Products, ANSI C78.377-2017.

**Construction**

**Maximum Ambient Temperature:**

Suitable for use in up to 40°C (104°F)

**Cold Weather Starting:**

The minimum starting temperature is -40°C (-40°F)

**Lens:**

Vandal-resistant polycarbonate textured opaque for low glare drop lens

**Housing:**

Die-cast aluminum housing and lens frame with (4) 1/2" NPS side conduit entries and weatherproof rear wire plug and access plate

**Mounting:**

Ceiling mount to recessed junction with knockout template or directly to ceiling surface, utilizing side conduit entry points

**Air Tight:**

Housing certified Air Tight as per ASTM E283

**Finish:**

Our environmentally friendly polyester powder coatings are formulated for high-durability and long-lasting color

**Other**

**Warranty:**

RAB warrants that our LED products will be free from defects in materials and workmanship for a period of five (5) years from the date of delivery to the end user, including coverage of light output, color stability, driver performance and fixture finish. RAB's warranty is subject to all terms and conditions found at [rablighting.com/warranty](http://rablighting.com/warranty).

**Technical Specifications (continued)**

**Buy American Act Compliance:**

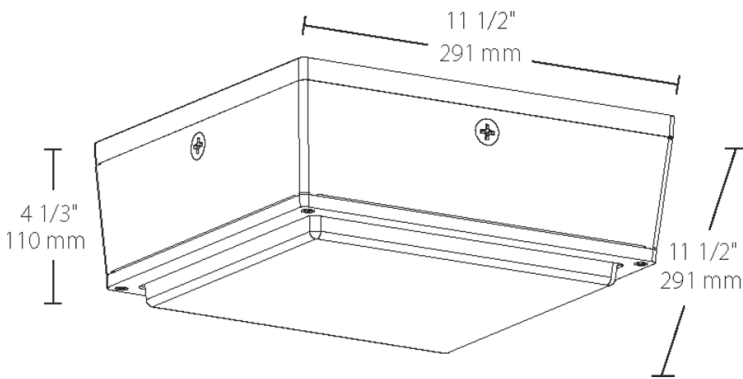
RAB values USA manufacturing! Upon request, RAB may be able to manufacture this product to be compliant with the Buy American Act (BAA). Please contact customer service to request a quote for the product to be made BAA compliant.

**Performance**

**Wattage Equivalency:**

Equivalent to 150W Metal Halide

**Dimensions**



**Features**

- Fits the footprint of older canopy lights
- Vandal resistant and UV resistant lens
- Ultra-high efficiency
- Clean, contemporary, low-profile design
- Available with drop lens or flat lens
- IP66 rated, keeps dust, bugs and water out
- Photo and motion sensor options available

**Ordering Matrix**

Family	Wattage	Color Temp	Lens-Optics	Finish	Voltage	Options
VANLED	40	Y		W		/PCS2
	10 = 10W 20 = 20W 28 = 28W 40 = 40W 52 = 52W 65 = 65W 75 = 75W	Blank = 5000K Cool N = 4000K Neutral Y = 3000K Warm	Blank = Drop lens F = Flat lens <sup>1</sup> FR = Frosted Drop Lens FFR = Frosted Flat Lens <sup>1</sup>	Blank = Bronze W = White	Blank = 120-277V, 0-10V Dimming /480 = 480V, 0-10V Dimming	Blank = No Options /E2 = Battery Backup, 120-277V only /LC = Lightcloud® Controller /PCS = 120V Swivel Photocell /PCS2 = 277V Swivel Photocell /PCS4 = 480V Swivel Photocell /WS = Wattstopper, 8ft /WS2 = Wattstopper, 20ft /MVS = Microwave Motion Sensor <sup>1</sup>

<sup>1</sup> /MVS option not available with F and FFR lens