

Technical Specifications (continued)

Other

Warranty:

RAB warrants that our LED products will be free from defects in materials and workmanship for a period of five (5) years from the date of delivery to the end user, including coverage of light output, color stability, driver performance and fixture finish. RAB's warranty is subject to all terms and conditions found at rablighting.com/warranty.

Buy American Act Compliance:

RAB values USA manufacturing! Upon request, RAB may be able to manufacture this product to be compliant with the Buy American Act (BAA). Please contact customer service to request a quote for the product to be made BAA compliant.

Lightcloud

Lightcloud Controller Installed:

Integrated/embedded networked lighting control, luminaire-level lighting control. Fixture, Zone, and plug-load control from one powerful device. LLLC - capable of switching, 0-10V dimming, power/energy monitoring. Can also be used to extend the range of the Lightcloud mesh network communication protocols. Offers the capability to set the maximum light output to a less-than-maximum state of an individual luminaire at the time of installation or commissioning. The High-End trim functionality is field reconfigurable via the Lightcloud mesh network communication protocols. The Lightcloud controller can be attached to the fixture, junction box, or electrical panel.

DLC system - NHCZ2BIA17L

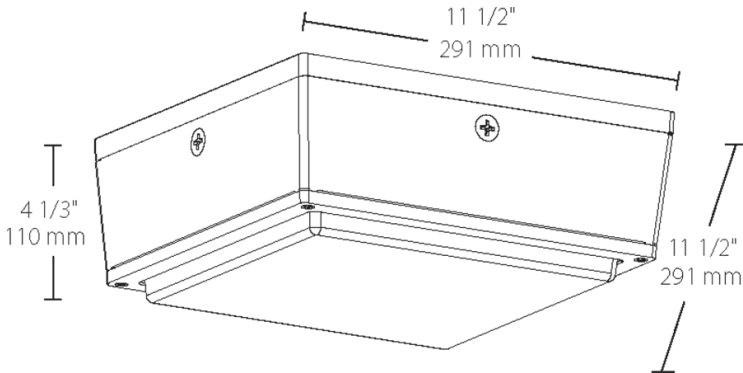
[Learn more about Lightcloud.](#)

Performance

Wattage Equivalency:

Equivalent to 150W Metal Halide

Dimensions



Features

- Fits the footprint of older canopy lights
- Vandal resistant and UV resistant lens
- Ultra-high efficiency
- Clean, contemporary, low-profile design
- Available with drop lens or flat lens
- IP66 rated, keeps dust, bugs and water out
- Photo and motion sensor options available

Ordering Matrix

Family	Wattage	Color Temp	Lens-Optics	Finish	Voltage	Options
VANLED	40			W	/480	/LC
20 = 20W	Blank = 5000K Cool	FFR = Frosted Flat Lens ¹	Blank = Bronze	Blank = 120-277V, 0-10V Dimming	Blank = No Options	
28 = 28W	N = 4000K Neutral	FR = Frosted Drop Lens	W = White	/480 = 480V, 0-10V Dimming	/E2 = Battery Backup, 120-277V only	
40 = 40W	Y = 3000K Warm	F = Flat lens ¹			/LC = Lightcloud Controller	
52 = 52W		Blank = Drop lens			/PCS = 120V Swivel Photocell	
65 = 65W					/PCS2 = 277V Swivel Photocell	
75 = 75W					/PCS4 = 480V Swivel Photocell	
10 = 10W					/WS = Wattstopper, 8ft	
					/WS2 = Wattstopper, 20ft	
					/MVS = Microwave Motion Sensor ¹	

¹ /MVS option not available with F and FFR lens