



## Technical Specifications (continued)

### Buy American Act Compliance:

RAB values USA manufacturing! Upon request, RAB may be able to manufacture this product to be compliant with the Buy American Act (BAA). Please contact customer service to request a quote for the product to be made BAA compliant.

### Lightcloud

#### Lightcloud Controller Installed:

Integrated/embedded networked lighting control, luminaire-level lighting control. Fixture, Zone, and plug-load control from one powerful device. LLLC - capable of switching, 0-10V dimming, power/energy monitoring. Can also be used to extend the range of the Lightcloud mesh network communication protocols. Offers the capability to set the maximum light output to a less-than-maximum state of an individual luminaire at the time of installation or commissioning. The High-End trim functionality is field reconfigurable via the Lightcloud mesh network communication protocols. The Lightcloud controller can be attached to the fixture, junction box, or electrical panel.

DLC system - NHCZ2BIA17L

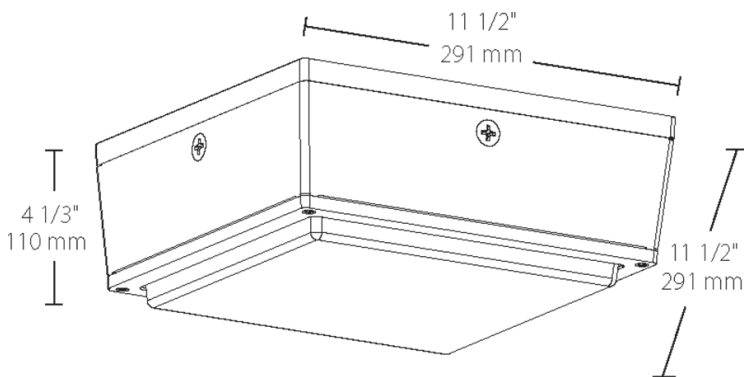
[Learn more about Lightcloud.](#)

### Performance

#### Wattage Equivalency:

Equivalent to 70W Metal Halide

## Dimensions



## Features

- Fits the footprint of older canopy lights
- Vandal resistant and UV resistant lens
- Ultra-high efficiency
- Clean, contemporary, low-profile design
- Available with drop lens or flat lens
- IP66 rated, keeps dust, bugs and water out
- Photo and motion sensor options available

## Ordering Matrix

| Family | Wattage  | Color Temp  | Lens-Optics   | Finish                      | Voltage   | Options  |
|--------|--|---|---|-----------------------------|---|--|
| VANLED | 10   |   |   | W                           |   | /LC  |
|        | 10 = 10W<br>20 = 20W<br>28 = 28W<br>40 = 40W<br>52 = 52W<br>65 = 65W<br>75 = 75W | Blank = 5000K Cool<br>N = 4000K Neutral<br>Y = 3000K Warm | Blank = Drop lens<br>F = Flat lens <sup>1</sup><br>FR = Frosted Drop Lens<br>FFR = Frosted Flat Lens <sup>1</sup> | Blank = Bronze<br>W = White | Blank = 120-277V, 0-10V Dimming<br>/480 = 480V, 0-10V Dimming | Blank = No Options<br>/E2 = Battery Backup, 120-277V only<br>/LC = Lightcloud® Controller<br>/PCS = 120V Swivel Photocell<br>/PCS2 = 277V Swivel Photocell<br>/PCS4 = 480V Swivel Photocell<br>/WS = Wattstopper, 8ft<br>/WS2 = Wattstopper, 20ft<br>/MVS = Microwave Motion Sensor <sup>1</sup> |

<sup>1</sup> /MVS option not available with F and FFR lens