



Medium size ceiling mount fixture: 26, 32 and 42 Watt compact fluorescent available. Housing is die cast aluminum with clear vandalproof polycarbonate refractor. Photocontrol, Sensor (CFL 120v only) models available. Lamp supplied.

Color: Bronze

Weight: 6.3 lbs

Project:

Type:

Prepared By:

Date:

Lamp Info

Type	42W Triple
Watts	42W
Shape/Size	N/A
Base	N/A
ANSI	N/A
Hours	12,000
Lamp Lumens	3,200 lm
Efficacy	69.6 lm/W

Ballast Info

Type	Elec HPF QT
120V	0.38A
208V	0.3A
240V	0.2A
277V	0.17A
Input Watts	46W

Technical Specifications

Compliance

UL Listed:

Suitable for wet locations. Covered Ceiling Mount Only. Fixtures can be wired with 90°C supply wiring if supply wires are routed 3" away from ballast.

Electrical

Sockets:

Medium base 4kv Pulse Rated Glazed porcelain

HID Quartz restrike:

Add suffix "/QR" to Van3 (50w restrike) or Van5 (100w restrike) for HOT restrike. Provides immediate illumination in case of momentary power failure.

Quad Tap:

Fixture works with 120, 208, 240 and 277 Volts

Optical

Refractor:

Injection molded polycarbonate, designed for maximum structural strength

Construction

Housings:

Die-cast aluminum with powder coat bronze or white finish

Screws:

Tamperproof center pin Torx-head and slotted Phillips head stainless steel screws provided. Be sure to order your Torx screwdriver (Catalog # VANDRIVER).

Reflectors / Backplate:

Heavy gauge cold rolled steel with high reflectance baked white enamel

Conduit Entry:

1/2"

Ballast Minimum Starting Temperature:

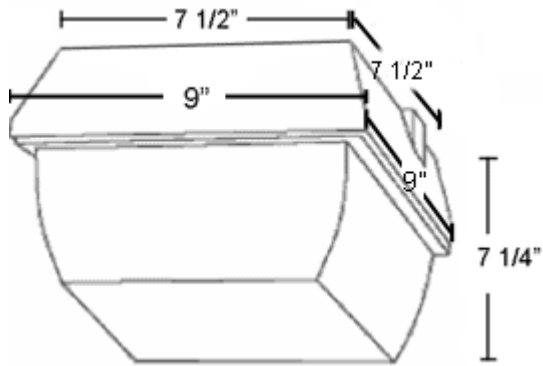
0°F

Other

Buy American Act Compliance:

RAB values USA manufacturing! Upon request, RAB may be able to manufacture this product to be compliant with the Buy American Act (BAA). Please contact customer service to request a quote for the product to be made BAA compliant.

Dimensions



Features

- Both Vandal proof Center Pin Torx and slotted Phillips head screws supplied
- Tough polycarbonate refractors
- Die cast aluminum housing
- Quartz Restrike available, consult factory