

INSTRUCTIONS

FIELD-ADJUSTABLE VAN34™ INSTALLATION

RAB®

RAB Lighting is committed to creating high-quality, affordable, well-designed and energy-efficient LED lighting and controls that make it easy for electricians to install and end users to save energy. We'd love to hear your comments. Please call the Marketing Department at 888-RAB-1000 or email: marketing@rablighting.com



IMPORTANT

READ CAREFULLY BEFORE INSTALLING FIXTURE. RETAIN THESE INSTRUCTIONS FOR FUTURE REFERENCE.

RAB fixtures must be wired in accordance with the National Electrical Code and all applicable local codes. Proper grounding is required for safety. THIS PRODUCT MUST BE INSTALLED IN ACCORDANCE WITH THE APPLICABLE INSTALLATION CODE BY A PERSON FAMILIAR WITH THE CONSTRUCTION AND OPERATION OF THE PRODUCT AND THE HAZARDS INVOLVED.

WARNING: Make certain power is OFF before installing or maintaining fixture. No user serviceable parts inside.

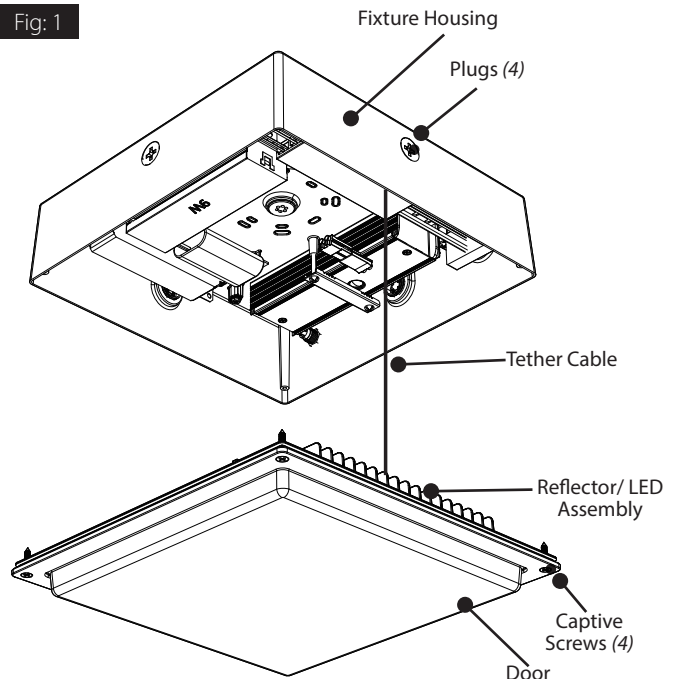
CAUTION: For proper weatherproof function all gaskets must be seated properly and all screws inserted and tightened firmly. Apply weatherproof silicone sealant around the edge of the Ceiling Mounting Box and/or Junction Box. This is especially important with an uneven ceiling surface. Silicone all plugs and unused conduit entries.

- Suitable for Wet locations, covered ceiling ONLY.
- Suitable for operation in ambient not exceeding 40° C.
- Min. 90° Supply Conductors.
- Caution RISK of Fire.
- Disconnect power before servicing.

CEILING MOUNTING

The fixture is suitable for outdoor applications in wet locations, ceiling mount.

1. Remove **Door** by loosening (4) **Captive Screws**.
2. Hang **Door/Reflector/LED Assembly** by **Tether Cable**. Knockout or drill appropriate **Slots** for mounting as marked in Fig. 2. Secure to Junction Box (*by others*).
3. Install **Fixture Housing** to ceiling by drilling out (4) **Drill Locations** as marked in Fig. 2. Use the appropriate mounting hardware for the mounting surface. Be sure **Housing Back Gasket** (*provided*) is properly seated.
4. Feed fixture wires through the **Silicone Plug** to make electrical splices in junction box. Use appropriate UL approved wire connectors as required by code to complete wiring, Fig. 3.
5. Re-assemble **Reflector/LED Assembly** and **Door**. Be careful not to pinch wires.
6. Tighten all **Screws**.
7. Use silicone or Teflon® tape on all **Plugs** and on the threads of all conduit entry points. If outdoor surface is irregular, use caulk to seal any gaps around the **Fixture Housing**.



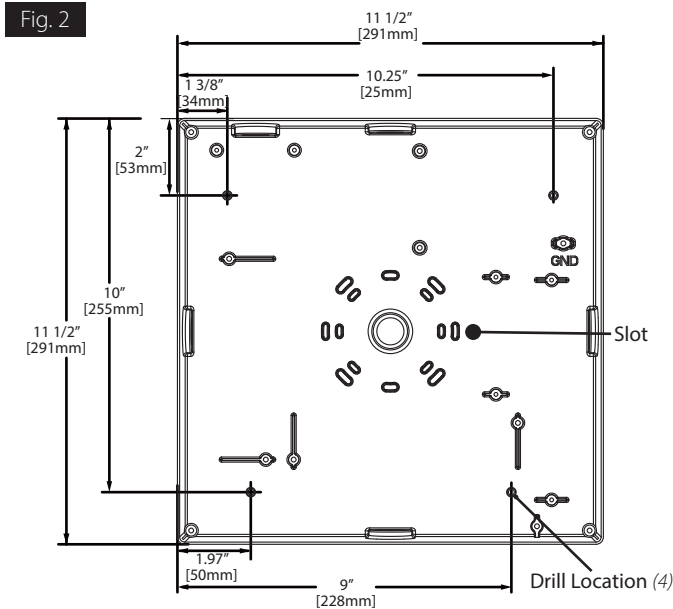
INSTRUCTIONS

FIELD-ADJUSTABLE VAN34™ INSTALLATION



RAB Lighting is committed to creating high-quality, affordable, well-designed and energy-efficient LED lighting and controls that make it easy for electricians to install and end users to save energy. We'd love to hear your comments. Please call the Marketing Department at 888-RAB-1000 or email: marketing@rablighting.com

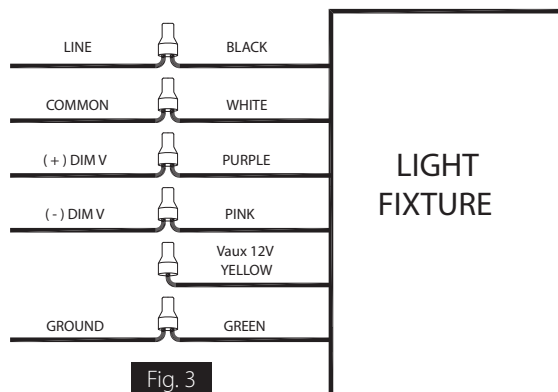
DRILL LOCATION MOUNTING



0-10V DIMMABLE WIRING

Universal voltage driver permits operation at 120V thru 277V, 50 or 60 Hz. Units ordered with /480V suffix are 480V, 50Hz or 60Hz. For 0-10V dimming, follow the wiring directions as shown in Fig. 3.

1. Connect the black fixture lead to the **LINE** supply lead.
2. Connect the white fixture lead to the **COMMON** supply lead.
3. Connect the **GROUND** wire from fixture to supply ground. Do NOT connect the **GROUND** of the dimming fixture to the output.
4. Connect the purple fixture lead to the (V+) DIM lead.
5. Connect the pink fixture lead to the (V-) DIM lead.
6. Cap the yellow fixture lead, if present. Do NOT connect.



FIELD-ADJUSTMENT

Photocell Operation:

This product is equipped with a photocell. **Photocell factory setting is set to the "OFF" position.** Should you wish to enable the Photocell "ON" feature slide the center switch to the "ON" position (Fig 5). ***If the Photocell is set to the "ON" position and it is daylight it may take up to 60-seconds for the light to turn off.***

Color Temperature (CCT) Selection:

This product is equipped with 5000K, 4000K or 3000K CCT **Color Temperature** selection. For maximum light output use the 4000K Color Temperature.

Power (W) Selection:

VAN34-30 is equipped with 30/20/10W power output selection. VAN34-60 is equipped with 60/50/40W power output selection. VAN34-90 is equipped with 90/80/70W power output selection.

Follow instructions below to change **Photocell** operation, **Color Temperature (CCT)** and/or **Power (W)** from factory settings.

Factory Settings: Maximum Power / 4000K CCT, Photocell/Off

1. Locate the **Selector Switches** on side of housing as shown in Fig. 4.
2. Select **Color Temperature (CCT)**, **Power (W)** and/or **Photocell** on/off function by sliding the respective switch to the desired setting (Fig. 5).

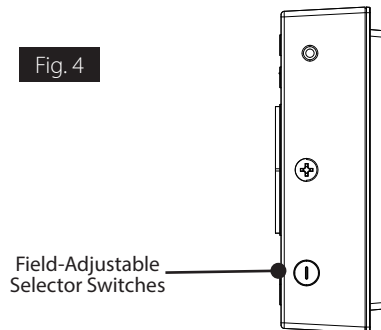
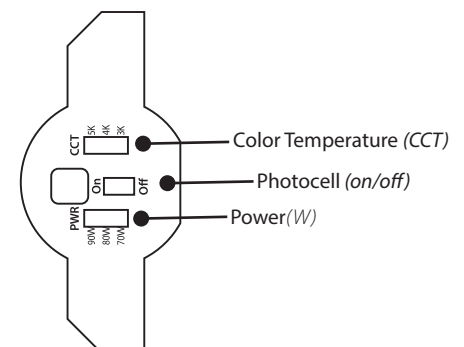


Fig. 5



INSTRUCTIONS

FIELD-ADJUSTABLE VAN34™ INSTALLATION



RAB Lighting is committed to creating high-quality, affordable, well-designed and energy-efficient LED lighting and controls that make it easy for electricians to install and end users to save energy. We'd love to hear your comments. Please call the Marketing Department at 888-RAB-1000 or email: marketing@rablighting.com

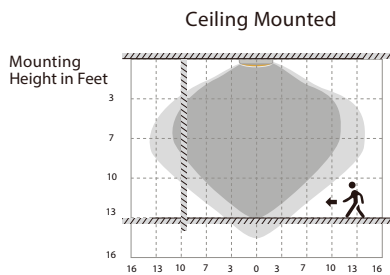
MVS MODELS *(Internal)*

(optional remote sold separately for custom settings, CAT# MSR1).

Factory Settings:

- Brightness: 100%
- Hold Time: 20 Minutes
- Daylight: Disabled
- Sensitivity: 100%
- Stand-by dimming level: 20%
- Stand-by time: 1 Minute

DETECTION COVERAGE



Highest mounting height is 13.2Ft

This figure indicates the maximum distance at the highest mounting height with 100% sensitivity.

■ Well Detected Area ■ Possibly Detected Area

TROUBLESHOOTING

1. Check that the line voltage at the fixture is correct. Refer to wiring directions.
2. Be sure the fixture is grounded properly.
3. Is the photocell, if used, functioning properly?

CLEANING & MAINTENANCE

CAUTION: Be sure fixture temperature is cool enough to touch. Do not clean or maintain while fixture is energized.

1. Clean lens with non-abrasive cleaning solution.
2. Do not open the fixture to clean the LEDs. Do not touch the LEDs.

Note: These instructions do not cover all details or variations in equipment nor do they provide for every possible situation during installation, operation or maintenance.

INSTRUCTIONS

FIELD-ADJUSTABLE VAN34™ INSTALLATION

RAB®

RAB Lighting is committed to creating high-quality, affordable, well-designed and energy-efficient LED lighting and controls that make it easy for electricians to install and end users to save energy. We'd love to hear your comments. Please call the Marketing Department at 888-RAB-1000 or email: marketing@rablighting.com

LFVAN34 DOOR & LENS REPLACEMENT ACCESSORY

LFVAN34, LFVAN34F is ordered separately.

1. Loosen (4) **Captive Screws** from housing as shown in Fig. 6 & 7 and remove the **Housing Door**.
2. Loosen (8) **Screws** on **Heatsink/LED Assembly**.
3. Install **Heatsink** assembly onto new **Door** and Lens accessory with (8) **Screws**.
4. Place new Assembly on housing.
5. Be sure the **Assembly** seats the **Housing** evenly.
6. Tighten the (4) **Captive Screws** to secure **Assembly** to **Housing**.

Drop Lens Door Replacement

Flat Lens Door Replacement

Fig. 6

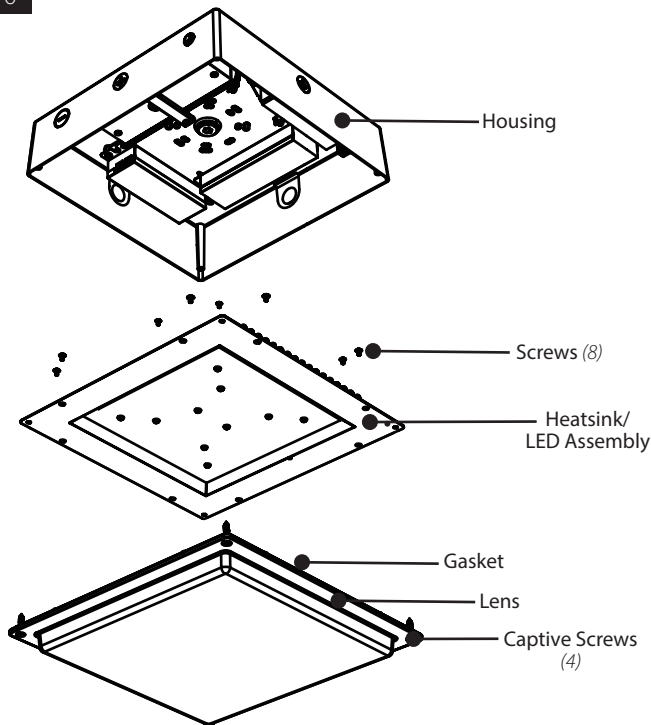
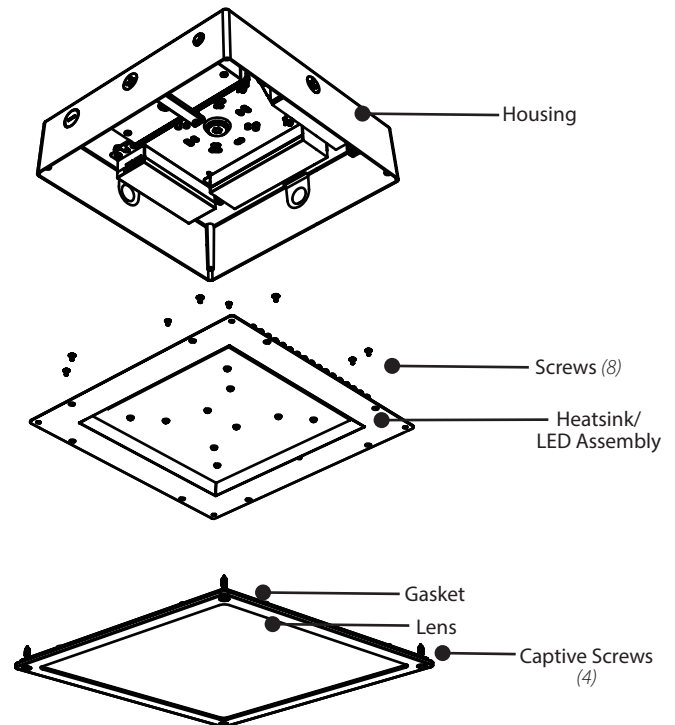


Fig. 7



CLEANING & MAINTENANCE

CAUTION: Be sure fixture temperature is cool enough to touch.
Do not clean or maintain while fixture is energized.

1. Clean lens with non-abrasive cleaning solution.
2. Do not open the fixture to clean the LEDs. Do not touch the LEDs.

INSTRUCTIONS

FIELD-ADJUSTABLE VAN34™ INSTALLATION



RAB Lighting is committed to creating high-quality, affordable, well-designed and energy-efficient LED lighting and controls that make it easy for electricians to install and end users to save energy. We'd love to hear your comments. Please call the Marketing Department at 888-RAB-1000 or email: marketing@rablighting.com

VANLED RETROPLATE G2 ACCESSORY INSTALLATION

VANLED RETROPLATE G2 is ordered separately.

IMPORTANT

READ CAREFULLY BEFORE INSTALLING FIXTURE. RETAIN THESE INSTRUCTIONS FOR FUTURE REFERENCE.

RAB fixtures must be wired in accordance with the National Electrical Code and all applicable local codes. Proper grounding is required for safety. THIS PRODUCT MUST BE INSTALLED IN ACCORDANCE WITH THE APPLICABLE INSTALLATION CODE BY A PERSON FAMILIAR WITH THE CONSTRUCTION AND OPERATION OF THE PRODUCT AND THE HAZARDS INVOLVED.

WARNING: Make certain power is OFF before installing or maintaining fixture. No user serviceable parts inside.

CAUTION:

- For proper weatherproof function all gaskets must be seated properly and all screws inserted and tightened firmly.
- Apply weatherproof silicone sealant around the edge of the fixture, RETROPLATE and/or Junction Box. This is especially important with an uneven ceiling surface. Silicone all plugs and unused conduit entries.
- RETROPLATE must be secured to fixture and check that the gasket is fully seated.
- Be sure RETROPLATE is mounted to a surface with 12in x 12in square or 13in diameter hole ONLY.

CEILING MOUNTING W/ RETROPLATE

Install RETROPLATE to **Mounting Surface** with a 12in x 12in square or 13in diameter hole. To mount RETROPLATE, follow the steps below (*VANLEDRETROPLATE G2 is ordered separately*).

1. Refer to **Ceiling Mounting** instructions above to remove **Door and Reflector/ Lens Assembly**, knock out or drill **Slots**, at marked locations as shown in Fig. 10.
2. Mount **RETROPLATE** to fixture with **Screws (4)**, **Washers (4)** and **Nuts (4)** provided as shown in Fig. 8, 9.
3. Feed fixture wires through the **Gasket** or through one of the **Plugs (4)** to make electrical splices in junction box.
4. See Fig. 10 for dimensions of **RETROPLATE** and hole distances. Use the appropriate mounting hardware to mount **RETROPLATE** and fixture to **Mounting Surface**. Be sure **Gasket** is properly seated.
5. Use appropriate UL approved wire connectors as required by code to complete wiring, Fig. 3.
6. Re-assemble **Reflector/ LED Assembly** and **Door**. Be careful not to pinch wires. Tighten all **Screws**.
7. Use silicone or Teflon® tape on all plugs and on the threads of all conduit entry points. If outdoor surface is irregular, use caulk to seal any gaps around **Fixture** and **RETROPLATE**.

Fig: 8

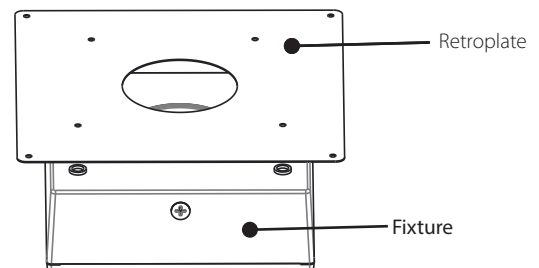
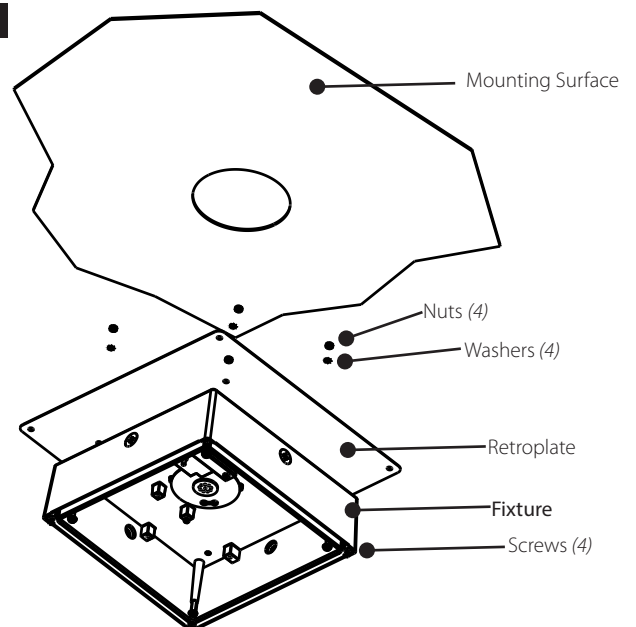


Fig. 9



INSTRUCTIONS

FIELD-ADJUSTABLE VAN34™ INSTALLATION

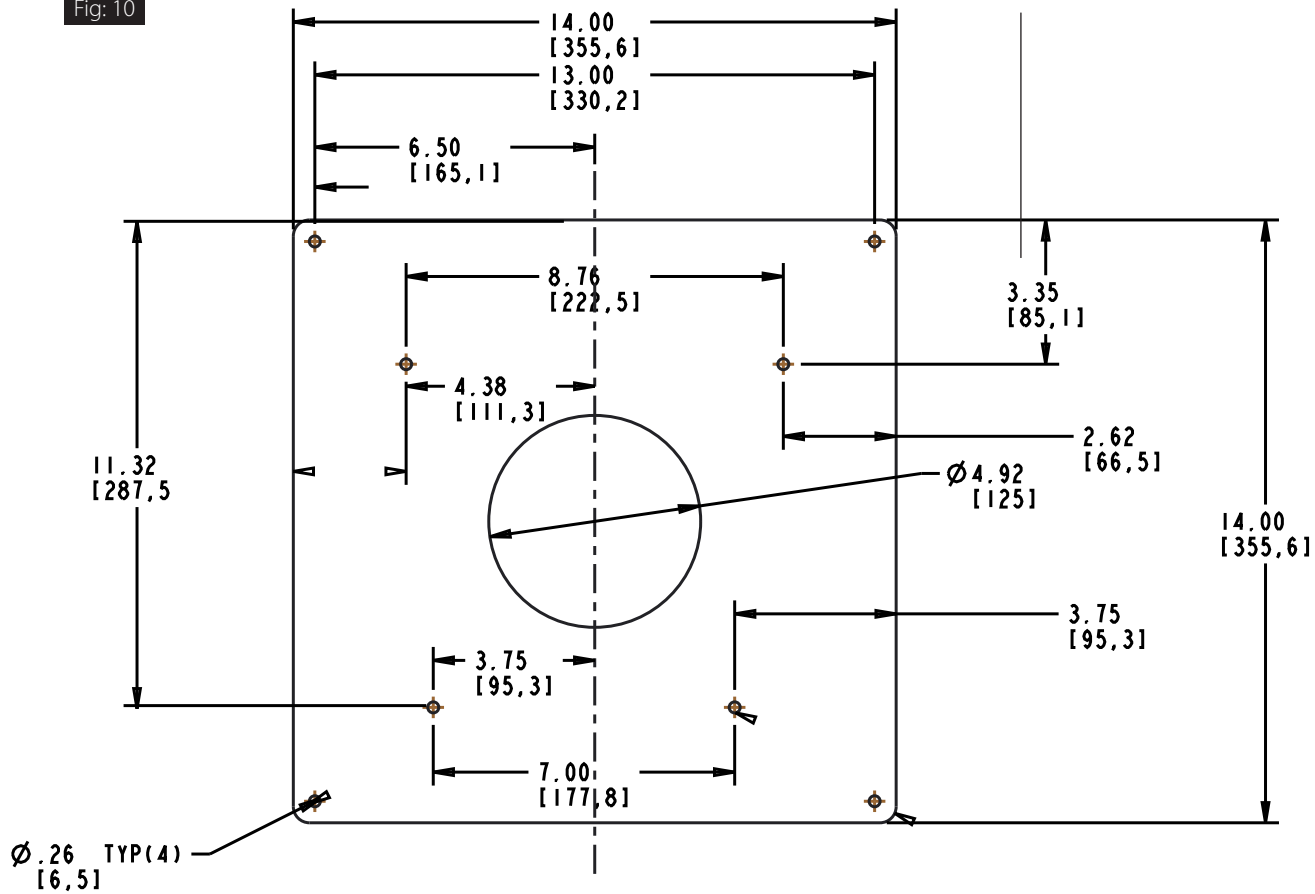


RAB Lighting is committed to creating high-quality, affordable, well-designed and energy-efficient LED lighting and controls that make it easy for electricians to install and end users to save energy. We'd love to hear your comments. Please call the Marketing Department at 888-RAB-1000 or email: marketing@rablighting.com

HOLE LOCATION

UNITS: inches [mm]

Fig: 10



CLEANING & MAINTENANCE

CAUTION: Be sure fixture temperature is cool enough to touch. Do not clean or maintain while fixture is energized.

1. Clean lens with non-abrasive cleaning solution.
2. Do not open the fixture to clean the LEDs. Do not touch the LEDs.

Note: These instructions do not cover all details or variations in equipment nor do they provide for every possible situation during installation, operation or maintenance.

INSTRUCTIONS

FIELD-ADJUSTABLE VAN34™ INSTALLATION



RAB Lighting is committed to creating high-quality, affordable, well-designed and energy-efficient LED lighting and controls that make it easy for electricians to install and end users to save energy. We'd love to hear your comments. Please call the Marketing Department at 888-RAB-1000 or email: marketing@rablighting.com

LIGHTCLOUD® BLUE

Lightcloud Blue is a Bluetooth mesh wireless lighting control system that allows you to control various compatible devices. With RAB's patented Rapid Provisioning technology, devices can be quickly and easily commissioned for residential and large commercial applications using the Lightcloud Blue mobile app.

Each device in a system can communicate with any other device, eliminating the need for a Gateway or Hub and maximizing the control system's reach.

Lightcloud Blue devices should be placed within the specified range to communicate within the Bluetooth Mesh network. Up to 60 feet between standard building materials.

Reset to Factory Settings: To enable pairing or reset the device, locate the device identification button at the top of the Controller under the Lightcloud logo. Press and hold this button for 10 seconds or until the indicator light begins flashing red and the fixture will flash on/off 3 times.

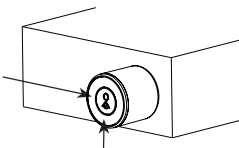
LED Indicators:

Blinking Red = Looking for a network

Solid Green = Connected to network

DEVICE IDENTIFICATION BUTTON

- Press once to rapid identify this device in the Lightcloud Blue Application when provisioned
- Press twice to toggle circuit on and off
- Press twice and hold to set dim level
- Press and hold for 10s to reset the device to factory settings and into pairing mode



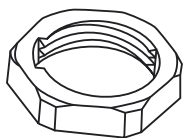
STATUS INDICATOR

Solid GREEN when connected to your Lightcloud Blue network.
Blinking RED when unprovisioned.

ASSEMBLY

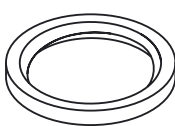
Below accessories are installed on this fixture and should not be removed.

NPT Nut



(Outside)

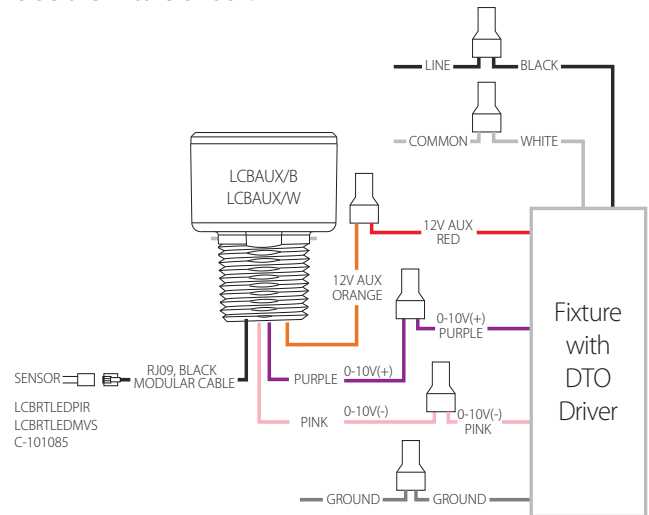
Rubber O-Ring



(Inside)

WIRING

Lightcloud Blue Low Voltage Controller is compatible with the Dim to Off 0-10V driver with 12V Aux supply, it can be mounted to any 1/2" NPT knockout hole on the fixture or junction box, with the radio module always outside any metal enclosure. If no sensor is used, then the RJ09 cable can be tied off and placed inside the fixture or box.



LIGHTCLOUD® BLUE SENSORS

Sensors are integrated at the factory and operate in Occupancy mode in their Uncommissioned State. Once paired to the Lightcloud Blue mobile app, the sensor will be disabled. Sensor Settings can be adjusted after being moved into an Area in the Lightcloud Blue mobile app. Once the sensor is enabled in the mobile app, the sensor will respond based on Commissioned State factory settings.

Factory Settings: Uncommissioned State

- Sensor Status: Enabled
- Motion Sensitivity: High
- Brightness when triggered: 100%
- Hold time: 20 Minute
- Daylight harvesting: Disabled

Factory Settings: Commissioned State

- Sensor Status: Disabled.
- Motion Sensitivity: High
- Brightness when triggered: Last on status
- Hold time: 20 Minute
- When vacant: Off
- Daylight harvesting: Disabled

INSTRUCTIONS

FIELD-ADJUSTABLE VAN34™ INSTALLATION

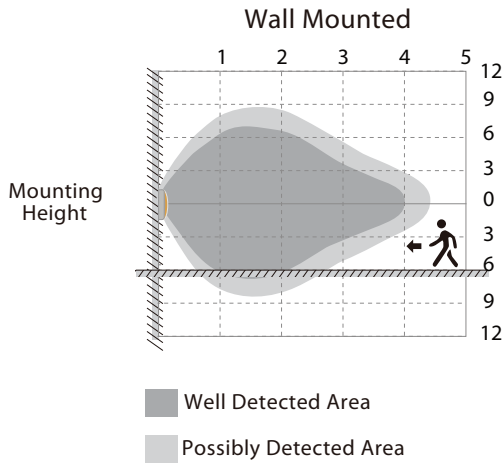
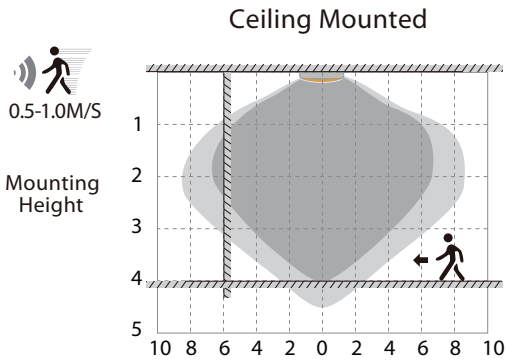


RAB Lighting is committed to creating high-quality, affordable, well-designed and energy-efficient LED lighting and controls that make it easy for electricians to install and end users to save energy. We'd love to hear your comments. Please call the Marketing Department at 888-RAB-1000 or email: marketing@rablighting.com


SENSOR COVERAGE

Highest mounting height is 4m.

This figure indicates the maximum distance at the highest mounting height with 100% sensitivity.



CONTROLLING LIGHTCLOUD® BLUE DEVICE

1. Confirm your device is powered on.
2. Download the Lightcloud Blue app from the Apple® App store or Google Play™ store.
3. Launch the App and create an account or login.
4. Tap the "add device" icon in the app to start connecting  devices.
5. Create Areas, Scenes and Schedules to organize and control your devices.
6. You're all set!

For additional information about the Lightcloud Blue mobile app visit www.lightcloud.com/item/lcb-getting-started/



Learn more about the Lightcloud Blue system and app features.

CONFIGURATION

To configure the Lightcloud Blue please login to the Lightcloud Blue app for details. For additional startup information, visit www.lightcloud.com/item/lcb-getting-started/

INSTRUCTIONS

FIELD-ADJUSTABLE VAN34™ INSTALLATION



RAB Lighting is committed to creating high-quality, affordable, well-designed and energy-efficient LED lighting and controls that make it easy for electricians to install and end users to save energy. We'd love to hear your comments. Please call the Marketing Department at 888-RAB-1000 or email: marketing@rablighting.com

BATTERY BACKUP MODELS

WIRING

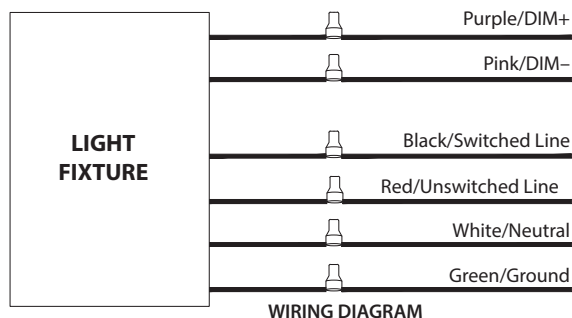
CAUTION: FOR BATTERY BACKUP FIXTURE. Voltage can be present in **BATTERY**. To prevent high voltage from being present on output leads, Inverter connector must be open. Do not join **BATTERY** connector until installation is complete.

NOTE: Make sure that the necessary branch circuit wiring is available. An **UNSWITCHED AC** source of power is required. The emergency driver must be fed from the same branch circuit as the LED driver. Reference Fig.11 for wiring diagram.

CAUTION: Do not use any supply voltage other than 120-277V 50/60 HZ.

1. Connect **UNSWITCHED HOT** fixture lead to **HOT AC** supply line.
2. If using an **UNSWITCHED** circuit, connect **UNSWITCHED** and **SWITCHED** lines together.
3. If using a **SWITCHED** circuit, connect **SWITCHED HOT** lead to the switch.
4. For 0-10V dimming, connect **DIM (+)** and **DIM (-)** pink leads to 0-10v dimming connection.
5. All unused leads must be capped and insulated.
6. After installation is complete, connect the battery as shown in Fig. 11.
7. When power is on, the fixture should be on and the Charging Indicator Light should illuminate to indicate the battery is charging.
8. Once the **BATTERY** has charged for at least one hour, a short duration test may be performed by pressing the **Test Button** Fig.12.
9. After the battery has charged for 24 hours, a long duration test can be performed by shutting power to the fixture.

FIG. 11



OPERATION

1. When AC power is applied, the charging indicator light is illuminated, indicating that the **BATTERY** is being charged.
2. When power fails, the standby power automatically switches to emergency power (*internal battery*), operating at reduced illumination.
3. When AC power is restored, the emergency driver automatically returns to charging mode.

MAINTENANCE

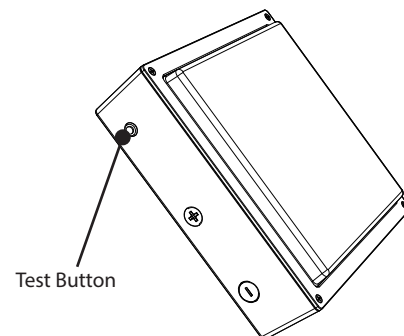
Although no routine maintenance is required to keep the emergency driver functional, it should be checked periodically to ensure that it is working. The following schedule is recommended:

1. Visually inspect the charging indicator light monthly. It should be illuminated.
2. Test the emergency operation of the fixture at 30-day intervals for a minimum of 30 seconds.
3. Conduct a 90-minute discharge test once a year. Fixture would operate at reduced illumination for a minimum of 90 minutes.

TROUBLESHOOTING

1. Is the fixture grounded properly?
2. If the charging indicator light does not illuminate after pressing the Test Button (Fig.12), check if battery is connected properly.

FIG. 12



Note: These instructions do not cover all details or variations in equipment nor do they provide for every possible situation during installation, operation or maintenance.



© 2025 RAB LIGHTING INC.

Easy Answers

rablighting.com
Visit our website for product info

Tech Help Line
Call our experts: 888 722-1000

e-mail
Answered promptly - sales@rablighting.com

Free Lighting Layouts
Answered online or by request

VAN34 IN 0525
P-101866

RAB WARRANTY: RAB's warranty is subject to all terms and conditions found at rablighting.com/warranty