



Color: Brass

Weight: 2.4 lbs

Project:	Type:
Prepared By:	Date:

Driver Info		LED Info	
Type	Constant Current	Watts	16/12/8W
120V	0.13A/0.10A/0.07A	Color Temp	2700/3000/3500/4000/5000K
208V	0.05A/0.06A/0.08A	Color Accuracy	91-94 CRI
240V	0.04A/0.06A/0.07A	L70 Lifespan	50,000 Hours
277V	0.04A/0.05A/0.06A	Lumens	855-1871 lm
Input Watts	8.5-15.8W	Efficacy	101.9-119.5 lm/W

Technical Specifications

Performance

Product Type:

Vanity Bath Bar

Description:

A sleek & modern vanity featuring field-adjustable wattage and CCT, and a sleek curved lens that's perfect for elegant applications.

Wattage Equivalency:

150W Incandescent

Input Wattage:

16W

Lumens (Nominal):

1,600/1,200/800lm

Lumens (Measured):

1,600lm

Efficacy:

100lm/W

L70 Lifespan:

50,000-Hour LED lifespan based on IES LM-70 results

Driver:

Linear

Electrical

THD:

<50%

Power Factor:

>0.9

Dimmable:

Yes, dimmable down to 5% on compatible TRIAC/ELV dimming systems. See Dimmer Compatibility List.

Input Voltage:

120-277V

Operating Frequency:

60 Hz

Input Current @ 120V (mA):

185mA

Flicker:

<30%

Construction

Operating Temperature Range:

-4°F - 104°F (-20°C - 40°C)

Length:

18"

Shape:

Cylindrical housing and lens with a curved decorative diffuser

Finish:

Brass

Enclosure Material:

Brushed aluminum housing

Lens Finish:

Frosted White

Lens:

Curved decorative diffuser

LED Characteristics

Beam Angle:

120°

Color Temperature:

Field adjustable via dip switch
2700/3000/3500/4000/5000K

Color Accuracy (CRI):

>90 CRI

R9 Value:

High color performance with R9 greater than 50

Technical Specifications (continued)

Color Consistency:

<7-step MacAdam Ellipse binning to achieve consistent fixture-to-fixture color

Color Stability:

LED color temperature is warranted to shift no more than 200K in color temperature over a 5-year period

Color Uniformity:

RAB's range of Correlated Color Temperature follows the guidelines of the American National Standard for Specifications for the Chromaticity of Solid State Lighting (SSL) Products, ANSI C78.377-2017.

Installation**Installation Method:**

Wall bracket & Wire Nuts included to attach to standard junction box and connect to mains voltage.

Installation Orientation:

Horizontal or vertical

Mounting:

Wall mount

Compliance**UL Listed:**

This product has been tested by Intertek and found in compliance with accepted national standards.

Certification Model Number:

V1-18BR

California Title 20 Compliant:

No

California Title 24 JA8 Compliant:

Can be used to conform with the requirements of California Title 24 Part 6

California Energy Commission (CEC) Status:

Lawful for Sales in California

IESNA LM-79 & LM-80 Testing:

RAB LED luminaires and LED components have been tested by an independent laboratory in accordance with IESNA lm-79 and lm-80.

RoHS:

Mercury and UV free. RoHS-compliant components.

FCC:

Complies with Part 15 of the FCC Rules

Trade Agreements Act Compliant:

This product is a product of Cambodia and a "designated country" end product that complies with the Trade Agreements Act

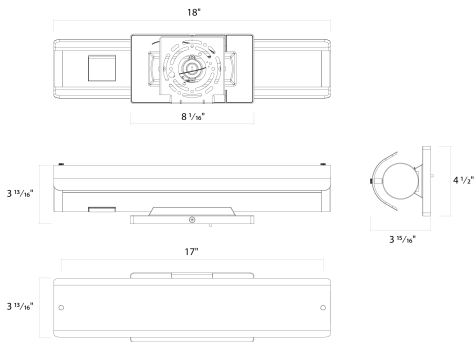
Other**Compatible Accessories:**

None

5-Year, No-Compromise Warranty:

RAB warrants that our LED products will be free from defects in materials and workmanship for a period of five (5) years from the date of delivery to the end user, including coverage of light output, color stability, driver performance and fixture finish. RAB's warranty is subject to all terms and conditions found at rablighting.com/warranty.

Dimensions



Features

- Beautiful brushed aluminum housing with decorative end caps
- Frosted polycarbonate curved outer lens diffuses light evenly
- Architectural-grade, matte paint finish available in Brushed Nickel, Black, and Brass
- 3 Selectable wattages & 5 CCTs: 2700/3000/3500/4000/5000K
- Damp rated, ADA Compliant, Title 24 Compliant, 50,000 hrs, 5-year no compromise warranty

Ordering Matrix

Family	Size/Wattage	Shape	CRI/Color Temp	Driver	Finish
V1	18			Blank	BR
	18 = 18", 16/12/8W 24 = 24", 20/15/10W	Blank = Round	Blank = 90 CRI, 2700/3000/3500/4000/5000K CCT Adjustable	Blank = 120V TRIAC/ELV Blank = 120-277V, TRIAC/ELV/UNV Dimming	Blank = Brushed Nickel B = Black BR = Brass