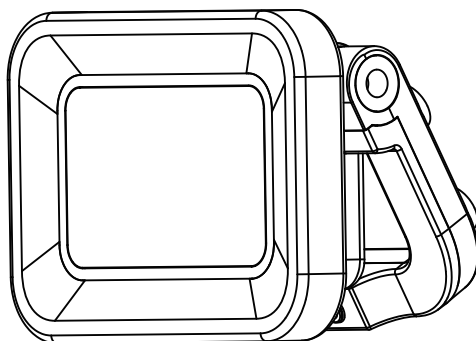


INSTRUCTIONS

TUFFY INSTALLATION

RAB®

RAB Lighting is committed to creating high-quality, affordable, well-designed and energy-efficient LED lighting and controls that make it easy for electricians to install and end users to save energy. We'd love to hear your comments. Please call the Marketing Department at 888-RAB-1000 or email: marketing@rablighting.com



TUFFY

IMPORTANT

READ CAREFULLY BEFORE INSTALLING FIXTURE. RETAIN THESE INSTRUCTIONS FOR FUTURE REFERENCE.

WARNING:

Operating temperature: 0°C to 40°C (32°F to 104°F).

WARNING: Read all safety warnings and instructions. Failure to follow the warnings and instructions may result in electric shock, fire or serious injury.

- a) Prevent unintentional starting. Ensure the switch is in the off-position before connecting to battery pack, picking up or carrying the appliance. Carrying the appliance with your finger on the switch or energizing appliance that have the switch on invites accidents.
- b) Recharge only with the charger specified by the manufacturer. A charger that is suitable for one type of battery pack may create a risk of fire when used with another battery pack.
- c) Under abusive conditions, liquid may be ejected from the battery; avoid contact. If contact accidentally occurs, flush with water. If liquid contacts eyes, additionally seek medical help. Liquid ejected from the battery may cause irritation or burns.
- d) Do not use a battery pack or appliance that is damaged or modified. Damaged or modified batteries may exhibit unpredictable behavior resulting in fire, explosion or risk of injury.
- e) Do not expose a battery pack or appliance to fire or excessive temperature. Exposure to fire or temperature above 130°C may cause explosion. The temperature of 130°C can be replaced by the temperature of 265°F.
- f) Follow all charging instructions and do not charge the battery pack or appliance outside of the temperature range specified in the instructions. Charging improperly or at temperatures outside of the specified range may damage the battery and increase the risk of fire.
- g) Have servicing performed by a qualified repair person using only identical replacement parts. This will ensure that the safety of the product is maintained.
- h) Do not modify or attempt to repair the appliance or the battery pack (as applicable) except as indicated in the instructions for use and care.

Listed Class 2 Power Unit

WARNING – When using flashlights or lanterns, additional precautions should always be followed, including the following.

- a) To reduce the risk of injury, close supervision is necessary when a product is used near children.
- b) Do not contact hot parts.
- c) Only use attachments recommended or sold by the manufacturer.
- d) Do not use in rain.
- e) To reduce the risk of electrical shock, do not put in water or other liquid. Do not place or store product where it can fall or be pulled into a tub or sink.
- f) **WARNING:** To reduce the risk of injury, do not stare at operating lamp. Serious eye injury could occur.

INSTRUCTIONS

TUFFY INSTALLATION



RAB Lighting is committed to creating high-quality, affordable, well-designed and energy-efficient LED lighting and controls that make it easy for electricians to install and end users to save energy. We'd love to hear your comments. Please call the Marketing Department at 888-RAB-1000 or email: marketing@rablighting.com

INSTALLATION INSTRUCTION

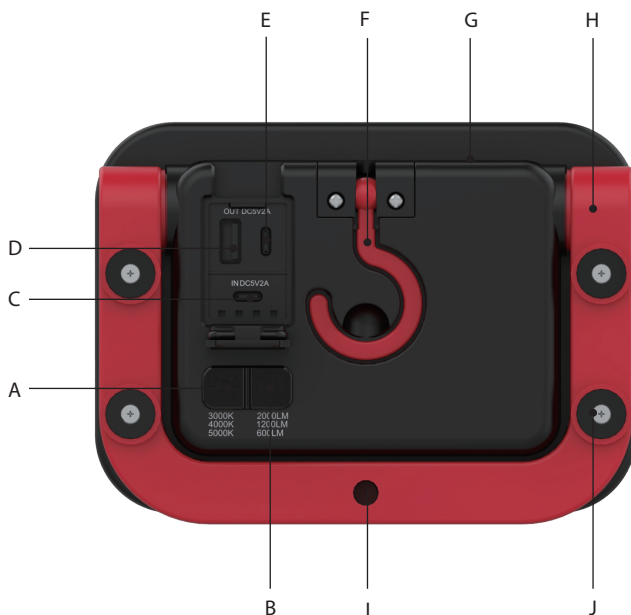
Remove all packaging materials from the product. Fully charge the rechargeable battery prior to first use. The charging process takes about 5 hours when the battery was drained. The rechargeable battery is firmly integrated into the base of the product.

TUFFY Discharge Time

| Output Flux | Ambent Temperature | Discharge Time |
|-------------|--------------------|----------------|
| 2000lm | 25°C | 3hours |
| | 40°C | 1hours |
| 1200lm | 25°C | 6hours |
| | 40°C | 2hours |
| 600lm | 25°C | 12hours |
| | 40°C | 12hours |

The "Discharge Time" is constant lumen output lasting time.

It can be used to charge small electronics devices with USB-A /USB-C for charging in case of emergency. The total output charging current requires can not exceed 2A. Carefully read the instructions for use of the device you wish to charge.



| Part | Description | Part | Description |
|------|-----------------------|------|-------------------|
| A | CCT selected button | F | Hook |
| B | Lumen selected button | G | Lamp body |
| C | Input USB-C port | H | Lamp stand |
| D | Output USB-A port | I | Tripod stand port |
| E | Output USB-C port | J | Magnet |

Selected the CCT and Lumen output
 CCT Selected : 3000/4000/5000K
 Lumen Selected : 600/1200/2000lm

| Lumen selected button | Mode |
|-----------------------|------------------------------|
| Press 1x | Work light 2000lm brightness |
| Press 2x | Work light 1200lm brightness |
| Press 3x | Work light 600lm brightness |
| Press 4x | Switch off the light |

Note: These instructions do not cover all details or variations in equipment nor do they provide for every possible situation during installation, operation or maintenance.

INSTRUCTIONS

TUFFY INSTALLATION



RAB Lighting is committed to creating high-quality, affordable, well-designed and energy-efficient LED lighting and controls that make it easy for electricians to install and end users to save energy. We'd love to hear your comments. Please call the Marketing Department at 888-RAB-1000 or email: marketing@rablighting.com

APPLICATIONS

To adjust the light direction, rotate stand and work light body to suitable position. Stand can be rotated 270 degrees and work light body can be rotated 360 degrees.

Just put in on the Table (Fig. 1)

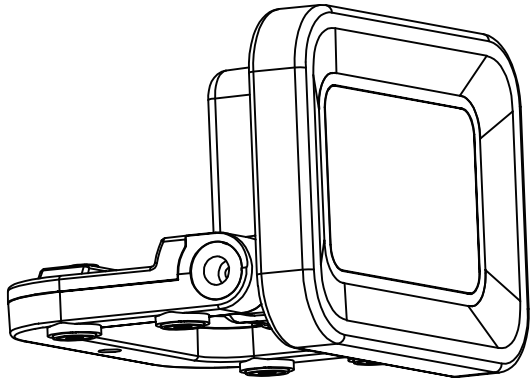


Fig. 1

The product is equipped with 4 magnets at the bottom of stand. The product can be attached to magnetisable surfaces with all those magnets (Fig. 2)

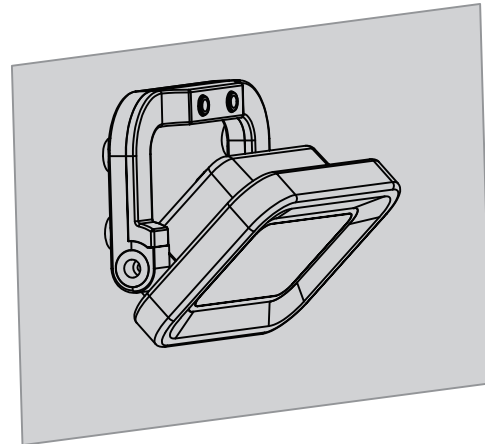


Fig. 2

Hanging with hook (Fig. 3)

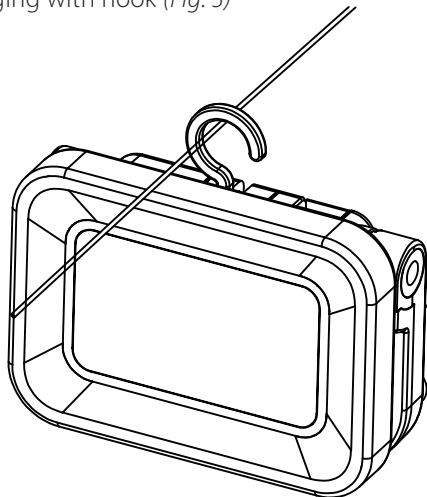


Fig. 3

Compatible With Tripod Stand (Fig. 4) (Optional)

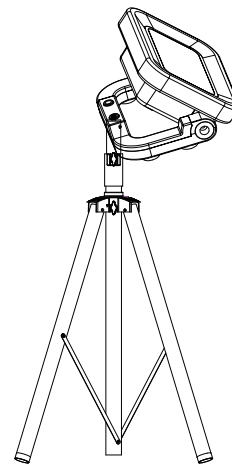


Fig. 4

Easy Answers