

TSLED can be ceiling or wall mounted. Offered with several optional features that are ideal for stairwell applications and enable compliance with the NFPA 101: Life Safety Code® including: ultrasonic motion sensor, bi-level dimmer, emergency battery backup, Lightcloud™ Controller

Color: White

Weight: 9.1 lbs

<b>Project:</b>	<b>Type:</b>
<b>Prepared By:</b>	<b>Date:</b>

Driver Info		LED Info	
Type	Constant Current	Watts	28W
120V	0.25A	Color Temp	5000K (Cool)
208V	0.13A	Color Accuracy	86 CRI
240V	0.12A	L70 Lifespan	100,000 Hours
277V	0.11A	Lumens	3,563 lm
Input Watts	29.1W	Efficacy	122.4 lm/W

## Technical Specifications

### Compliance

#### UL Listed:

Suitable for damp locations

#### IESNA LM-79 & lm-80 Testing:

RAB LED luminaires and LED components have been tested by an independent laboratory in accordance with IESNA lm-79 and lm-80

### Electrical

#### Driver:

Constant Current, Class 2, 100-277V, 50/60 Hz., 2KV surge protection, 120V: 0.25A, 208V: 0.13A, 240V: 0.12A, 277V: 0.11A

#### Dimming Driver:

Driver includes dimming control wiring for 0-10V dimming systems. Requires separate 0-10V DC dimming circuit. Dims down to 10%.

#### THD:

4.34% at 120V, 6.37% at 277V

#### Power Factor:

99.7% at 120V, 99.5% at 277V

#### Battery Backup:

Battery backup will operate the LED Lamp for 90 minutes if power fails. Wired for 120V-277V.

Illuminated push to test switch available to test battery backup functionality.

### LED Characteristics

#### LEDs:

Long-life, high-efficacy, surface-mount LEDs

#### Color Stability:

LED color temperature is warranted to shift no more than 200K in color temperature over a 5-year period

#### Color Uniformity:

RAB's range of Correlated Color Temperature follows the guidelines of the American National Standard for Specifications for the Chromaticity of Solid State Lighting (SSL) Products, ANSI C78.377-2017.

### Performance

#### Lifespan:

100,000-Hour LED lifespan based on IES LM-80 results and TM-21 calculations

#### Wattage Equivalency:

Equivalent to (1) F35-T5

### Construction

#### Maximum Ambient Temperature:

Suitable for use in up to 40°C (104°F)

#### Housing:

Die-formed, 20 gauge, cold-rolled, post-painted steel (white)

#### Lens:

Soft-glow acrylic lens reduces glare and has smooth and even light distribution

#### Reflector:

High-reflectance white steel

#### Mounting:

Surface mount, ceiling or wall. Knockouts on sides and back.

#### Finish:

Formulated for high durability and long-lasting color

#### Green Technology:

Mercury and UV free. RoHS-compliant components.

### Other

#### Warranty:

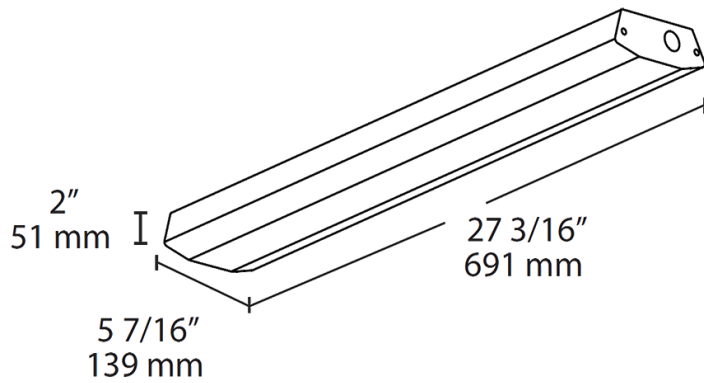
RAB warrants that our LED products will be free from defects in materials and workmanship for a period of five (5) years from the date of delivery to the end user, including coverage of light output, color stability, driver performance and fixture finish. RAB's warranty is subject to all terms and conditions found at [rablighting.com/warranty](http://rablighting.com/warranty).

**Technical Specifications (continued)**

**Buy American Act Compliance:**

RAB values USA manufacturing! Upon request, RAB may be able to manufacture this product to be compliant with the Buy American Act (BAA). Please contact customer service to request a quote for the product to be made BAA compliant.

**Dimensions**



**Features**

- Diffused lens for smooth light distribution
- 0-10V dimming driver, standard
- 100,000-Hour LED lifespan
- 5-Year, No-Compromise Warranty

**Ordering Matrix**

Family	Size	Wattage	Color Temp	Dimming	Options
TSLED	2	-	28	/D10	/E2
	4 = 4 ft 2 = 2 ft	28 = 28W 36 = 36W	Blank = 5000K Cool N = 4000K Neutral YN = 3500K Warm Neutral	/D10 = Dimmable	Blank = No Option /LC = Lightcloud® Controller <sup>1</sup> /US = Ultrasonic Sensor /US/BL = Ultrasonic Sensor & Bi-Level Operation /E2 = Battery Backup /US/E2 = Ultrasonic Sensor & Battery Backup /US/BL/E2 = Ultrasonic Sensor, Bi-Level Operation & Battery Backup

<sup>1</sup> Only available as a stand-alone option. May not be combined with sensor, bi-level or emergency options.