



Weight: 0.1 lbs

Project:	Type:
Prepared By:	Date:

Technical Specifications

Performance

Product Type:

Tape Light Accessories - Silicone Clips

Description:

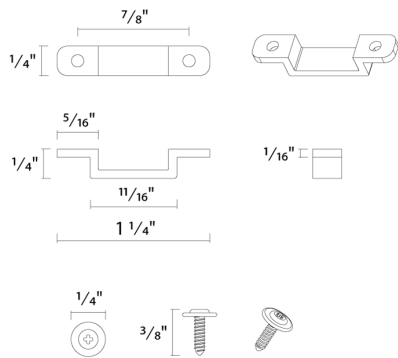
Tape Light Silicone Clips PCB Width 12mm

Other

Compatible Products:

Compatible with the following FLEXTAPE products:
TOS/RGB

Dimensions



Features

Tape Light Silicone Clips Kit 12mm
 20 clips and screws included