

# INSTRUCTIONS

## TOMO™ WALL MOUNT FIELD-ADJUSTABLE INSTALLATION



RAB Lighting is committed to creating high-quality, affordable, well-designed and energy-efficient LED lighting and controls that make it easy for electricians to install and end users to save energy. We'd love to hear your comments. Please call the Marketing Department at 888-RAB-1000 or email: [marketing@rablighting.com](mailto:marketing@rablighting.com)



TOMO- 2WM



TOMO- 4WM



TOMO- 8WM

### IMPORTANT

#### READ CAREFULLY BEFORE INSTALLING FIXTURE. RETAIN THESE INSTRUCTIONS FOR FUTURE REFERENCE.

RAB fixtures must be wired in accordance with the National Electrical Code and all applicable local codes. Proper grounding is required for safety. THIS PRODUCT MUST BE INSTALLED IN ACCORDANCE WITH THE APPLICABLE INSTALLATION CODE BY A PERSON FAMILIAR WITH THE CONSTRUCTION AND OPERATION OF THE PRODUCT AND THE HAZARDS INVOLVED.

**WARNING: Make certain power is OFF before installing or maintaining fixture. No user serviceable parts inside.**  
The fixture is suitable for indoor applications. Suitable for damp locations. Ceiling, Canopy and Pendant mount only.

### WALL MOUNTING

*Note: 2ft, 4ft fixtures are provided with 1 Wall Mount Bracket each. 8ft fixtures are provided with 2 Wall Mount Brackets.*

1. Install **Wall Mount Bracket(s)** to the wall surface with provided hardware as shown in Fig. 1 for 2ft/4ft fixtures. For 8ft fixtures refer to Fig. 1a.
2. Extend supply wires out of **Wall Mount Bracket**.
3. Pull the **End Caps** out of each end of the fixture as shown in Fig. 2. Separate the **Housing Cover** from the **Lens/Tray Assembly** by sliding the **Housing Cover** either right or left to unlock from **Key Slots** as shown in Fig. 3. Pre-installed **Tether Cables** (2) will prevent **Lens/Tray Assembly** from separating from **Housing Cover**.
4. Pull supply wires from Junction Box (*by others*) through center of **Wall Mount Bracket**. Pull wires into the **Housing Cover** and install **Housing Cover** on **Wall Mount Bracket Hooks** as shown in Fig. 4.
5. Install **Wall Mount Bracket Upper Cover(s)** as shown in Fig. 5.
6. Use appropriate UL rated wire connectors as required by NEC and local code to make electrical splices to fixture leads. Follow appropriate wiring instructions (*Fig. 10*).
7. Raise **Lens/Tray Assembly** into the **Housing Cover**. Align **Keys** into **Key Slots** and slide to the right or left to lock the **Lens/Tray Assembly** to the **Housing Cover**. Replace **End Caps**. Be careful not to pinch wires.
8. Install **Wall Mount Bracket Lower Cover(s)** as shown in Fig. 5.

**WARNING: To prevent wiring damage or abrasion, do not expose wiring to edges of sharp objects.**

Fig: 1

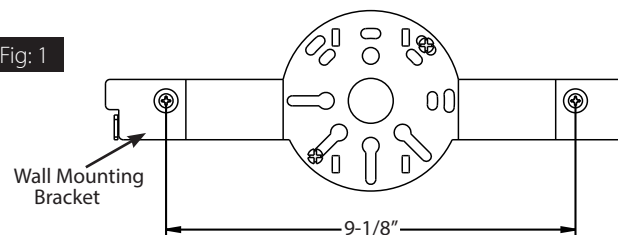


Fig: 1a

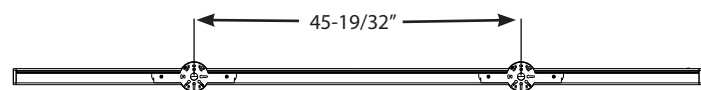


Fig: 2

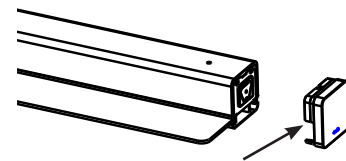


Fig: 3

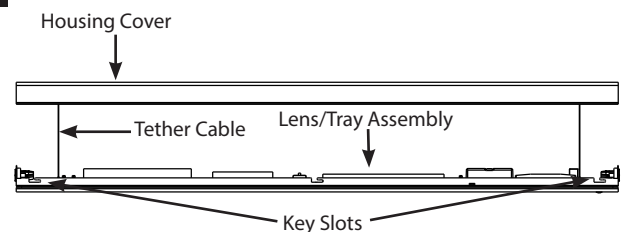
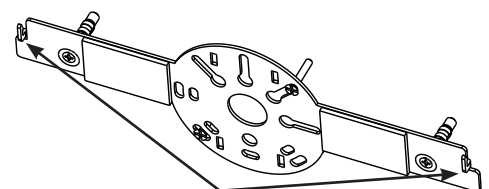


Fig: 4



Wall Mount Bracket Hooks

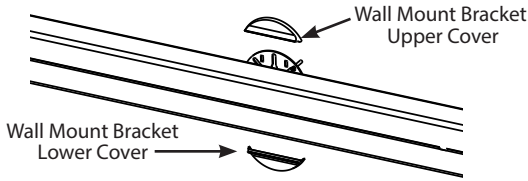
# INSTRUCTIONS

## TOMO™ WALL MOUNT FIELD-ADJUSTABLE INSTALLATION



RAB Lighting is committed to creating high-quality, affordable, well-designed and energy-efficient LED lighting and controls that make it easy for electricians to install and end users to save energy. We'd love to hear your comments. Please call the Marketing Department at 888-RAB-1000 or email: marketing@rablighting.com

Fig: 5



### CONTINUOUS RUN MOUNTING

Multiple fixtures can be mounted together using TOMO CONNECT-SM (sold separately) Fig. 6.

1. For **Wall Mounting** of multiple fixtures in a continuous run follow **Wall Mounting** directions in the instructions above.
2. To attach the second fixture in the run use **TOMO CONNECT-SM** (sold separately) and install the **Housing Cover** to the wall surface.
3. Push **Lens/Tray Assembly** into the **Housing Cover**. Align **Keys** into **Key Slots** and slide to the right or left to lock the **Housing Cover** into the **Lens/Tray Assembly**. Snap on **End Cap** if this is the end run, otherwise use an additional **TOMO CONNECT-SM** for additional fixture and repeat the sequence in lines 1, 2 and 3.
4. For final fixture on the run install the end cap.
5. **TOMO CONNECT-SM** is provided with two **Screws**. Secure with **Screws** as shown in Fig. 6. Only one **Fixture** needs to be electrically hard wired.
6. **CAUTION:** The maximum number of fixtures allowed to be linked together is indicated in table below (120V through 277V only). Fig. 7.

**WARNING:** To prevent wiring damage or abrasion, do not expose wiring to sharp objects.

Fig: 6

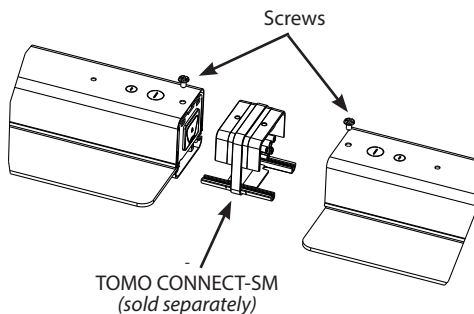


Fig: 7

Catalog #	Maximum Number of Linked Fixtures
TOMO-2WM	Up to 28 fixtures
TOMO-4WM	Up to 14 fixtures
TOMO-8WM	Up to 7 fixtures

### FIELD ADJUSTMENT

Follow instructions below to change the fixture **Color Temperature (CCT)** and **Power (W)** from the factory settings.

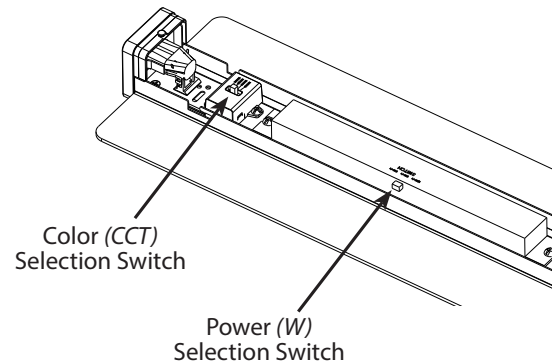
**Factory Settings:**  
 TOMO-2WM 12W / 4000K  
 TOMO-4WM 24W / 4000K  
 TOMO-8WM 48W / 4000K

1. Remove **End Caps**. Slide **Lens/Tray Assembly** from **Housing Cover** to release **Tray Assembly** from **Housing Cover** by sliding the fixture left or right to unlock from **Key Slots** as shown in Fig. 3. Pre-installed **Tether Cables (2)** will prevent **Lens/Tray Assembly** from separating from **Housing Cover** as shown in Fig. 1.
2. Locate the selector switches inside the **Lens /Tray Assembly** as shown (Fig. 8 and 9) for TOMO-2, TOMO-4 TOMO-8.
3. Select **Color Temperature (CCT)** and/or **Power (W)** by sliding the respective switch to the desired value.
4. After the switch is positioned to the desired setting, push **Lens/Tray Assembly** into the **Housing Cover**. Align **Keys** into **Key Slots** and slide to the left or right to lock the **Housing Cover** into the **Lens/Tray Assembly**. Snap on **End Caps**.

**WARNING:** To prevent wiring damage or abrasion, do not expose wiring to edges of sharp objects.

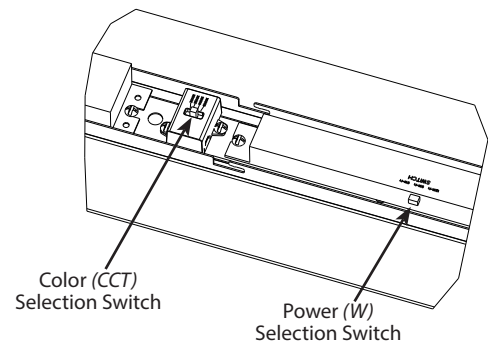
TOMO-2WM

Fig: 8



TOMO-4WM  
TOMO-8WM

Fig: 9



# INSTRUCTIONS

## TOMO™ WALL MOUNT FIELD-ADJUSTABLE INSTALLATION



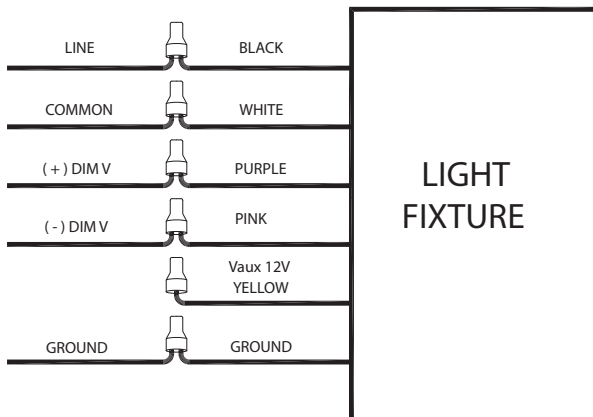
RAB Lighting is committed to creating high-quality, affordable, well-designed and energy-efficient LED lighting and controls that make it easy for electricians to install and end users to save energy. We'd love to hear your comments. Please call the Marketing Department at 888-RAB-1000 or email: [marketing@rablighting.com](mailto:marketing@rablighting.com)

### 0-10V DIMMABLE WIRING

Universal voltage driver permits operation at 120V through 277V, 50 or 60 Hz. For 0-10V dimming follow the wiring directions as shown in Fig. 10.

1. Connect the black fixture lead to the LINE supply lead.
2. Connect the white fixture lead to the COMMON supply lead.
3. Connect the GROUND wire from fixture to supply ground.
4. Connect the purple fixture lead to the (V+) DIM lead.
5. Connect the pink fixture lead to the (V-) DIM lead.
6. Cap the yellow fixture lead, if present. Do NOT connect.

Fig: 10



### CLEANING & MAINTENANCE

**CAUTION:** Be sure fixture temperature is cool enough to touch. Do not clean or maintain while fixture is energized.

1. Clean acrylic lens with non-abrasive cleaning solution.
2. Do not open the fixture to clean the LEDs. Do not touch the LEDs.

### TROUBLESHOOTING

1. Check that the line voltage at the fixture is correct. Refer to wiring directions.
2. Is the fixture grounded properly?

**Note:** These instructions do not cover all details or variations in equipment nor do they provide for every possible situation during installation, operation or maintenance.

# INSTRUCTIONS

## TOMO™ WALL MOUNT FIELD-ADJUSTABLE INSTALLATION



RAB Lighting is committed to creating high-quality, affordable, well-designed and energy-efficient LED lighting and controls that make it easy for electricians to install and end users to save energy. We'd love to hear your comments. Please call the Marketing Department at 888-RAB-1000 or email: [marketing@rablighting.com](mailto:marketing@rablighting.com)

# BATTERY BACKUP MODELS

## WIRING

### CAUTION: FOR BATTERY BACKUP FIXTURE (TOMO-4/TOMO-8)

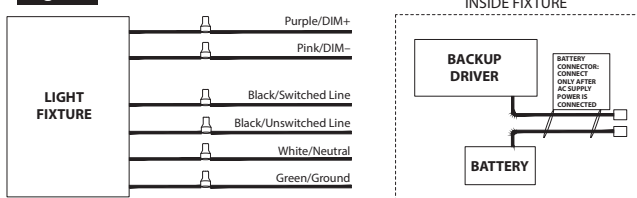
Voltage could be present in **BATTERY**. To prevent high voltage from being present on output leads, Inverter Connector must be open. Do not join **BATTERY** connector until installation is complete and AC power is supplied to the emergency driver (Fig. 11).

**NOTE:** Make sure that the necessary branch circuit wiring is available. An **UNSWITCHED AC** source of power is required. The emergency driver must be fed from the same branch circuit as the LED driver.

**CAUTION:** Do not use any supply voltage other than 120-277V 50/60 HZ.

1. Connect **UNSWITCHED HOT** fixture lead to **HOT AC** supply line.
2. If using an **UNSWITCHED** circuit, connect **UNSWITCHED** and **SWITCHED** lines together.
3. If using a **SWITCHED** circuit, connect **SWITCHED HOT AC fixture** lead to the external control.
4. For 0-10V dimming, connect **DIM (+)** purple lead and **DIM (-)** pink lead to 0-10V dimmer connections.
5. Connect **GROUND** lead from the fixture to the supply ground. Do not connect **GROUND** to the output leads.
6. All unused leads must be capped and insulated.
7. After installation is complete, supply AC power to the fixture and connect the **BATTERY** (Fig. 11).
8. When power is on, the fixture should be on and the **Charging Indicator Light** should illuminate to indicate the battery is charging.
9. Once the **BATTERY** has charged for at least one hour, a short duration test may be performed by pressing the **Test Button** (Fig. 12).
10. After the battery has charged for 24 hours, a long duration test can be performed by shutting power to the fixture.

Fig. 11



## OPERATION

1. When AC power is applied, the charging indicator light is illuminated indicating that the **BATTERY** is being charged.
2. When power fails, the standby power automatically switches to backup mode at reduced power resulting in lower illumination. The emergency driver supplies power in standby mode for a minimum of 90 minutes.
3. When AC power is restored, the emergency driver automatically returns to charging mode.

## MAINTENANCE

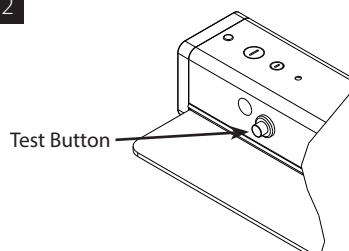
Although no routine maintenance is required to keep the emergency driver functional, it should be checked periodically to ensure that it is working. The following schedule is recommended:

1. Visually inspect the charging indicator light monthly. It should be illuminated.
2. Test the emergency operation of the fixture at 30-day intervals for a minimum of 30 seconds.
3. Conduct a 90-minute discharge test once a year. Fixture would operate at reduced illumination for a minimum of 90 minutes.

## TROUBLESHOOTING

1. Is the fixture grounded properly?
2. If the charging indicator light does not illuminate after pressing the **Test Button** (Fig. 12), check if battery is connected properly.

Fig. 12



**Note:** These instructions do not cover all details or variations in equipment nor do they provide for every possible situation during installation, operation or maintenance.



© 2024 RAB LIGHTING Inc.  
TOMO-WM - IN - 0524  
P-101008

### Easy Answers

[rablighting.com](http://rablighting.com)  
Visit our website for product info

**Tech Help Line**  
Call our experts: 888 722-1000

**e-mail**  
Answered promptly - [sales@rablighting.com](mailto:sales@rablighting.com)

**Free Lighting Layouts**  
Answered online or by request

**RAB WARRANTY:** RAB's warranty is subject to all terms and conditions found at [rablighting.com/warranty](http://rablighting.com/warranty).