

Project:	Type:
Prepared By:	Date:

Driver Info		LED Info	
Type	Constant Current	Watts	18W
120V	0.15A	Color Temp	3000K/3500K/4000K/5000K
208V	0.09A	Color Accuracy	84 CRI
240V	0.08A	L70 Lifespan	100,000 Hours
277V	0.07A	Lumens	1540-3332 lm
Input Watts	12.5-24.6W	Efficacy	122.2-135.4 lm/W

Technical Specifications

Lightcloud

Lightcloud Blue:

Lightcloud Blue is a Bluetooth mesh wireless lighting control system that allows you to control RAB's various compatible devices. With RAB's patent-pending Rapid Provisioning technology, devices can be quickly and easily commissioned for residential and large commercial applications using the Lightcloud Blue mobile app. Each device in a system can communicate with any other device, eliminating the need for a Gateway or Hub and maximizing the control system's reach.

DLC system - N1XMLOEATBA
[Learn more at www.lightcloud.com](http://www.lightcloud.com)

Gateway Required:

No

Communication Protocol:

Bluetooth Mesh

Range:

Up to 60 ft between standard building materials. Building materials such as brick, concrete, and steel construction may require additional Lightcloud Blue devices to extend around an obstruction.
 Up to 200 ft clear line of sight (varies by device).

Spacing Criteria:

Lightcloud Blue devices should be placed within the specified range to communicate within the Bluetooth Mesh network.

Factory Reset:

Method 1: Delete from App
 Open the app and access the device settings for the paired device. Be sure that the device is online and select 'Delete'.
Method 2: Manual
 Press and hold down the button located at the top of the Controller for 10 seconds or until the fixture flashes on/off 3x. The Controller will flash red to confirm it has been reset and is ready to pair to the App

Electrical

Driver:

12W: Constant Current, Class 2, 120-277V, 50/60Hz, 120V: 0.10A, 208V: 0.06A, 240V: 0.05A, 277V: 0.05A
 18W: Constant Current, Class 2, 120-277V, 50/60Hz, 120V: 0.15A, 208V: 0.09A, 240V: 0.08A, 277V: 0.07A
 24W: Constant Current, Class 2, 120-277V, 50/60Hz, 120V: 0.20A, 208V: 0.12A, 240V: 0.10A, 277V: 0.09A

Dimming Driver:

Driver includes dimming control wiring for 0-10V dimming systems. Requires separate 0-10V DC dimming circuit. Dims down to 5%.

THD:

6.1% at 120V, 8.5% at 277V

Power Factor:

99.8% at 120V, 97.5% at 277V

Status Indicator:

The status indicator light is located around the circumference of the top of the Controller.

Solid Green - Nano is paired to the Lightcloud Blue app

Flashing Red - Nano has been restored to default factory settings

Device Identification Button:

Located at the top of the controller under the Lightcloud logo.

Once the Controller has been provisioned to the Lightcloud Blue mobile app this button offers the following functionality:

Press once to rapid identify this device in the Lightcloud Blue mobile app

Press twice to toggle circuit on and off

Press twice and hold to set dim level

Press and hold for 10s to reset the device to factory settings and into pairing mode

Technical Specifications (continued)

Max Mounting Height:

8 ft to 12 ft

Detection Range:

20 ft diameter at 9 ft mounting height

Surge Protection:

1-2kV

Sensor Settings

Sensor Connection Type:

RJ09

Default Setting:

Uncommissioned State:
Sensor Status: Enabled
Motion Sensitivity: High
Brightness when triggered: 100%
Hold time: 1 minute
Standby to dim: 20%
Standby time: 1 minute
When vacant: Off

Commissioned State:

Sensor Status: Disabled, once enabled the following default are set.
Motion Sensitivity: High
Brightness when triggered: Last on status
Hold time: 20 minutes
When vacant: Off

Sensor Technology:

Passive Infrared (PIR)

Sensing Type:

Occupancy or Vacancy

Sensor Sensitivity:

Low/Medium/High

Occupied Actions:

On or On at a Dim Level

Vacant Options:

Off or On at a Dim Level

Daylight Sensing:

The sensor will determine to trigger the light(s) on or not based on the daylight threshold level set in the Lightcloud Blue mobile app.

Daylight Threshold:

150 lux to 1500 lux

Field Adjustability

Field Adjustable:

Field Adjustable Light Output:
24W/18W/12W (factory default 18W)
Color temperature (selectable by 5000K, 4000K, 3500K and 3000K)

Compliance

UL Listed:

Suitable for damp locations

IESNA LM-79 & LM-80 Testing:

RAB LED luminaires and LED components have been tested by an independent laboratory in accordance with IESNA LM-79 and LM-80.

Trade Agreements Act Compliant:

This product is a product of Cambodia and a "designated country" end product that complies with the Trade Agreements Act

DLC Listed:

This product is on the Design Lights Consortium (DLC) Qualified Products List and is eligible for rebates from DLC Member Utilities. Designed to meet DLC 5.1 requirements.
DLC Product Code: S-241173

Performance

Lifespan:

100,000-Hour LED lifespan based on IES LM-80 results and TM-21 calculations

Wattage Equivalency:

12W: Replaces up to (1) F32T8 or (1) F17T8
18W: Replaces up to (1) F32T8 or (2) F17T8
24W: Replaces up to (1) F32T8 or (3) F17T8

LED Characteristics

LEDs:

Long-life, high-efficiency, surface-mount LEDs

Color Consistency:

4-step MacAdam Ellipse binning to achieve consistent fixture-to-fixture color

Color Uniformity:

RAB's range of Correlated Color Temperature follows the guidelines of the American National Standard for Specifications for the Chromaticity of Solid State Lighting (SSL) Products, ANSI C78.377-2017.

Construction

Cold Weather Starting:

The minimum starting temperature is -20°C (-4°F)

Maximum Ambient Temperature:

Suitable for use in up to 55°C (131°F)

Housing:

Cold Rolled Carbon Steel Sheets and Strip (SPCC)

Lens:

Diffused Polymethyl Methacrylate (PMMA)

Mounting:

Comes standard with two mounting accessories: aircraft cable for secure, suspended mounts and a stainless bracket for easy mounting to junction boxes.

Finish:

Formulated for high durability and long-lasting color

Green Technology:

Mercury and UV free. RoHS-compliant components.

Other

Lighting Pattern:

70% downlight, 30% uplight

Accessories:

Fixture to fixture connector: [TOMO CONNECT](#)

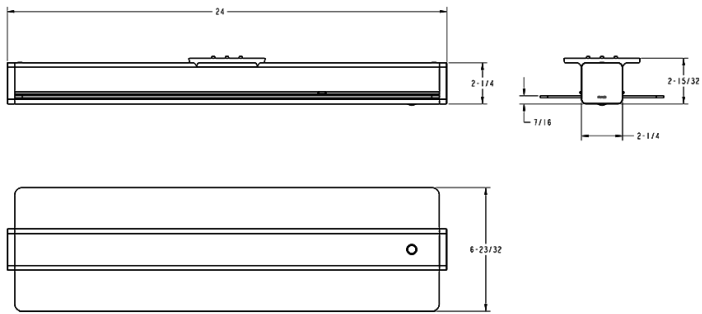
Warranty:

RAB warrants that our LED products will be free from defects in materials and workmanship for a period of five (5) years from the date of delivery to the end user, including coverage of light output, color stability, driver performance and fixture finish. RAB's warranty is subject to all terms and conditions found at [rablighting.com/warranty](#).

Buy American Act Compliance:

RAB values USA manufacturing! Upon request, RAB may be able to manufacture this product to be compliant with the Buy American Act (BAA). Please contact customer service to request a quote for the product to be made BAA compliant.

Dimensions



Features

- 0-10V dimming
- 100,000-Hour LED lifespan
- 5-Year, No-Compromise Warranty

Ordering Matrix

Family	Length (Wattages)	Color Temp	Finish	Voltage	Options
TOMO	-	2			/LCBS
	2 = 2' (24/18/12W) 4 = 4' (48/36/24W) 8 = 8' (96/72/48W)	Blank = 3000K/3500K/4000K/5000K CCT Adjustable	Blank = White	Blank = 120-277V, 0-10V Dimming	Blank = No Option /PIR = Passive Infrared Occupancy Sensor /E = Battery Backup ¹ /LC = Lightcloud Controller /LC/E = Lightcloud Control w/Battery Backup ¹ /PIR/E = Passive Infrared Occupancy Sensor w/Battery Backup ¹ /LCB = Lightcloud Blue-enabled /LCBS = Lightcloud Blue-enabled w/PIR sensor /LCB/E = Lightcloud Blue-enabled w/Battery Backup /LCBS/E = Lightcloud Blue Enabled w/PIR Sensor and Battery Backup

¹ *Available only for 4' and 8'