



<b>Project:</b>	<b>Type:</b>
<b>Prepared By:</b>	<b>Date:</b>

Driver Info		LED Info	
Type	Constant Current	Watts	18W
120V	0.15A	Color Temp	3000K/3500K/4000K/5000K
208V	0.09A	Color Accuracy	84 CRI
240V	0.08A	L70 Lifespan	100,000 Hours
277V	0.07A	Lumens	1540-3332 lm
Input Watts	12.5-24.6W	Efficacy	122.2-135.4 lm/W

**Technical Specifications**

**Field Adjustability**

**Field Adjustable:**

Field Adjustable Light Output:  
24W/18W/12W (factory default 18W)  
Color temperature (selectable by 5000K, 4000K, 3500K and 3000K)

**Compliance**

**UL Listed:**

Suitable for damp locations

**Trade Agreements Act Compliant:**

This product is a product of Cambodia and a "designated country" end product that complies with the Trade Agreements Act

**DLC Listed:**

This product is on the Design Lights Consortium (DLC) Qualified Products List and is eligible for rebates from DLC Member Utilities. Designed to meet DLC 5.1 requirements.  
DLC Product Code: S-241173

**Electrical**

**Driver:**

12W: Constant Current, Class 2, 120-277V, 50/60Hz, 120V: 0.10A, 208V: 0.06A, 240V: 0.05A, 277V: 0.05A  
18W: Constant Current, Class 2, 120-277V, 50/60Hz, 120V: 0.15A, 208V: 0.09A, 240V: 0.08A, 277V: 0.07A  
24W: Constant Current, Class 2, 120-277V, 50/60Hz, 120V: 0.20A, 208V: 0.12A, 240V: 0.10A, 277V: 0.09A

**Dimming Driver:**

Driver includes dimming control wiring for 0-10V dimming systems. Requires separate 0-10V DC dimming circuit. Dims down to 5%.

**THD:**

6.1% at 120V, 8.5% at 277V

**Power Factor:**

99.8% at 120V, 97.5% at 277V

**Surge Protection:**

1-2kV

**Performance**

**Lifespan:**

100,000-Hour LED lifespan based on IES LM-80 results and TM-21 calculations

**Wattage Equivalency:**

12W: Replaces up to (1) F32T8 or (1) F17T8  
18W: Replaces up to (1) F32T8 or (2) F17T8  
24W: Replaces up to (1) F32T8 or (3) F17T8

**LED Characteristics**

**LEDs:**

Long-life, high-efficiency, surface-mount LEDs

**Color Consistency:**

4-step MacAdam Ellipse binning to achieve consistent fixture-to-fixture color

**Color Uniformity:**

RAB's range of Correlated Color Temperature follows the guidelines of the American National Standard for Specifications for the Chromaticity of Solid State Lighting (SSL) Products, ANSI C78.377-2017.

**Construction**

**Cold Weather Starting:**

The minimum starting temperature is -20°C (-4°F)

**Maximum Ambient Temperature:**

Suitable for use in up to 55°C (131°F)

**Housing:**

Cold Rolled Carbon Steel Sheets and Strip (SPCC)

**Technical Specifications (continued)****Lens:**

Diffused Polymethyl Methacrylate (PMMA)

**Mounting:**

Comes standard with two mounting accessories: aircraft cable for secure, suspended mounts and a stainless bracket for easy mounting to junction boxes.

**Finish:**

Formulated for high durability and long-lasting color

**Green Technology:**

Mercury and UV free. RoHS-compliant components.

**Other****Lighting Pattern:**

70% downlight, 30% uplight

**Accessories:**

Fixture to fixture connector: [TOMO CONNECT](#)

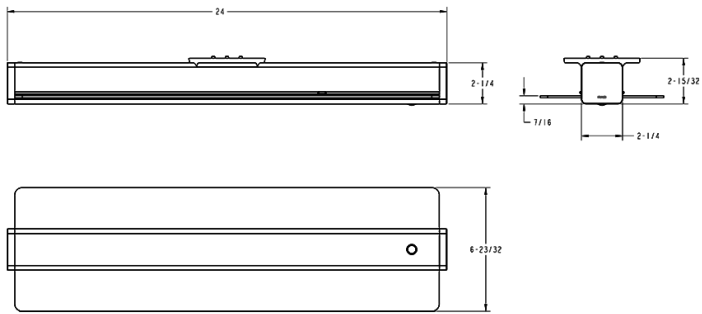
**Warranty:**

RAB warrants that our LED products will be free from defects in materials and workmanship for a period of five (5) years from the date of delivery to the end user, including coverage of light output, color stability, driver performance and fixture finish. RAB's warranty is subject to all terms and conditions found at [rablighting.com/warranty](http://rablighting.com/warranty).

**Buy American Act Compliance:**

RAB values USA manufacturing! Upon request, RAB may be able to manufacture this product to be compliant with the Buy American Act (BAA). Please contact customer service to request a quote for the product to be made BAA compliant.

Dimensions



Features

- 0-10V dimming
- 100,000-Hour LED lifespan
- 5-Year, No-Compromise Warranty

Ordering Matrix

Family	Length (Wattages)	Color Temp	Finish	Voltage	Options
TOMO	-	2			
	2 = 2' (24W/18W/12W) 4 = 4' (48W/36W/24W) 8 = 8' (96W/72W/48W)	Blank = 3000K/3500K/4000K/5000K	Blank = White	Blank = 0-10V Dimming, 120-277V	Blank = No Option /LC = Lightcloud® Control /LCB = Lightcloud® Blue Enabled /LCBS = Lightcloud® Blue Enabled w/PIR Sensor /PIR = Passive Infrared Occupancy Sensor /E = Battery Backup <sup>1</sup> /LC/E = Lightcloud® Control w/Battery Backup <sup>1</sup> /LCB/E = Lightcloud® Blue Enabled w/Battery Backup /LCBS/E = Lightcloud® Blue Enabled w/PIR Sensor and Battery Backup /PIR/E = Passive Infrared Sensor w/Battery Backup <sup>1</sup>

<sup>1</sup> \*Available only for 4' and 8'