

<b>Project:</b>	<b>Type:</b>	<b>Prepared By:</b>	<b>Date:</b>
-----------------	--------------	---------------------	--------------



### Features and Benefits

- Impact resistant, can handle demanding construction site environments
- Omni-directional light distribution
- Lightweight design with high output
- US Cord and Plug
- IP64 Water and Dust resistant
- 6kV surge protection built in
- 50,000 hour Lifespan
- 120V
- 5 Year No Compromise Warranty

Technical Specifications		
<b>Performance</b> <hr/> <b>Product Type:</b> LED temporary High Bay  <b>Input Wattage:</b> 60W  <b>Lumens (Nominal):</b> 7,200lm  <b>Efficacy:</b> 110lm/W  <b>L70 Lifespan:</b> 50,000-Hour LED lifespan based on IES LM-80 results and TM-21 calculations  <b>Wattage Equivalency:</b> 250W  <b>LED Characteristics</b> <hr/> <b>Color Accuracy (CRI):</b> 80  <b>Color Temperature:</b> 5000K	<b>Construction</b> <hr/> <b>Bulb Shape:</b> Temporary Work Light  <b>Enclosure Material:</b> Polycarbonate  <b>Housing Finish:</b> Construction Orange  <b>Base Type:</b> US Plug, 6FT cord  <b>Weight:</b> 2.78 lbs  <b>Optical</b> <hr/> <b>Beam Angle:</b> 360°  <b>Electrical</b> <hr/> <b>THD:</b> <20%  <b>Power Factor:</b> >0.9	<b>Input Voltage:</b> 120V  <b>Operating Frequency:</b> 60 Hz  <b>Operating Temperature:</b> -30°C to 60°C  <b>Surge Protection:</b> 6kV  <b>Installation</b> <hr/> <b>Installation Method:</b> US Cord and Plug, linkable up to 10 units  <b>Other</b> <hr/> <b>Technology EQ:</b> Metal Halide or High Pressure Sodium

**Technical Specifications (continued)**

**Warranty:**

RAB warrants that our LED products will be free from defects in materials and workmanship for a period of five (5) years from the date of delivery to the end user, including coverage of light output, color stability, driver performance and fixture finish. RAB's warranty is subject to all terms and conditions found at [rablighting.com/warranty](http://rablighting.com/warranty).

**Compliance**

**Listings:**

UL Listed

**Environment/Fixture Rating:**

Damp / Open

**IP Rating:**

IP64

**RoHS:**

Mercury and UV free. RoHS-compliant components.

**FCC:**

Complies with Part 15B of the FCC Rules

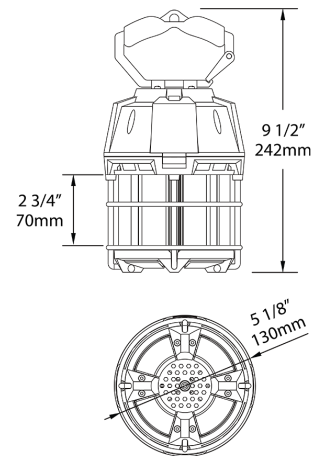
**Model Number for Certification:**

H10040(TEMP-60-850)

**Case and Pallet Dimensions**

	QTY	LENGTH (in)	WIDTH (in)	HEIGHT (in)
CASE	4	0	0	0
PALLET	96	0	0	0

**Dimension**



Light Distribution

