



The Turtle In-Use weatherproof cover protects in-use electrical devices in wet locations. Strong and durable enough to last in all weather conditions, year round. Clear cover with colored back plate.

Color: White

Weight: 0.4 lbs

Project:	Type:
Prepared By:	Date:

Technical Specifications

Compliance

UL Listed:

Suitable for wet locations. Fixtures with ground wire must be used.

Construction

Materials:

Post PVC Cap ABS In-Use Cover Clear PVC MP
Adapter ABS Junction Box Polycarbonate

Set Screw:

Locks cap to post and prevents rotation

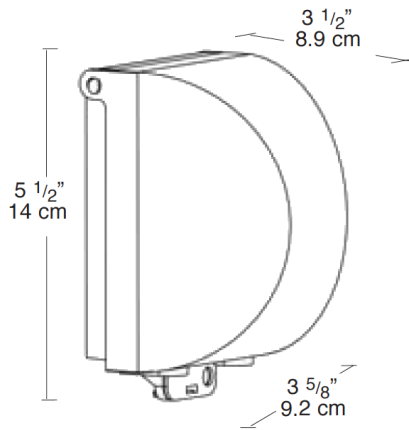
Other

Patents:

Pat. D533,510.

Buy American Act Compliance:

RAB values USA manufacturing! Upon request, RAB may be able to manufacture this product to be compliant with the Buy American Act (BAA). Please contact customer service to request a quote for the product to be made BAA compliant.

Dimensions**Features**

- Clear PVC plastic turtle cover with lockable latch
- Fits all standard rectangular covers
- Durable molded ABS Post Adapter
- Close up plug included
- Knockout holes in bottom of Post Adapter for easy wiring
- Mighty Post Adapter extends post height to keep outlets above plants and snow
- Add an electrical box to your Might Post and Lawn Light combo