

LED roadway lighting that replaces up to 250W MH or 150W HPS. Optics are factory installed and meet IES Distribution Type IV.

Color: Gray

Weight: 9.2 lbs

Project:	Type:
Prepared By:	Date:

Driver Info		LED Info	
Type	Constant Current	Watts	32W
120V	0.27A	Color Temp	3000K (Warm)
208V	.17A	Color Accuracy	71 CRI
240V	.15A	L70 Lifespan	100,000 Hours
277V	.13A	Lumens	3,149 lm
Input Watts	31.7W	Efficacy	99.3 lm/W

Technical Specifications

Compliance

UL Listed:

Suitable for wet locations. Minimum of 75° supply conductors.

IP Rating:

Ingress protection rating of IP66 for dust and water

IESNA LM-79 & LM-80 Testing:

RAB LED luminaires and LED components have been tested by an independent laboratory in accordance with IESNA LM-79 and LM-80.

Construction

IES Classification:

The Type IV distribution (also known as a Forward Throw) is especially suited for illuminating the perimeter of parking areas and for intersections. It produces a semicircular distribution with essentially the same candlepower at lateral angles from 90° to 270°.

Vibration Rating:

Industry-leading 5G vibration rating per ANSI C136.31

Ambient Temperature:

Suitable for use in up to 40°C (104°F)

Cold Weather Starting:

The minimum starting temperature is -40°C (-40°F)

Thermal Management:

Superior thermal management design with external Air-Flow fins provides maximum operational life, even in high ambient temperature environments

Housing:

Die-cast aluminum housing with polycarbonate driver cover

Lens:

Clear acrylic lens with integrated optics

Mounting:

Fits most standard roadway upsweep arms. Adaptor brackets supplied fit 1", 1 1/4", 1 1/2" and 2" pipe arms. Fixture can be tilted at the following angles -5°, -2.5°, 0°, +2.5°, +5°.

Gaskets:

High-temperature silicone gaskets

Effective Projected Area:

EPA = 0.7

Finish:

Formulated for high durability and long-lasting color

Green Technology:

Mercury and UV free. RoHS-compliant components.

LED Characteristics

LEDs:

Multi-chip, high-output, long-life LEDs

Color Uniformity:

RAB's range of Correlated Color Temperature follows the guidelines of the American National Standard for Specifications for the Chromaticity of Solid State Lighting (SSL) Products, ANSI C78.377-2017.

Electrical

Drivers:

Constant Current, Class 2, 100-277V, 50-60Hz, 120V: 0.27A, 208A: 0.17A, 240A: 0.15A, 277V: 0.13A

Dimming Driver:

Driver includes dimming control wiring for 0-10V dimming systems. Requires separate 0-10V DC dimming circuit. Dims down to 10%.

7-Pin Receptacle:

ANSI C136.41 7-pin receptacle, compatible with wireless control systems

Surge Protection:

10kV

Technical Specifications (continued)

Optical

BUG Rating:
B1 U0 G1

Cut Off:

Full-cutoff optics comply with dark sky requirements

Other

Accessory:

Shorting Cap for 7-Pin Receptacle [available here](#).

Buy American Act Compliance:

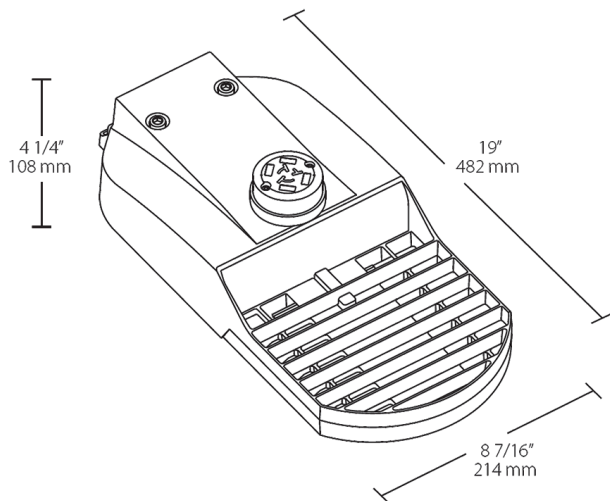
RAB values USA manufacturing! Upon request, RAB may be able to manufacture this product to be compliant with the Buy American Act (BAA). Please contact customer service to request a quote for the product to be made BAA compliant.

Performance

Wattage Equivalency:

Equivalent to 70W Metal Halide/50W HPS

Dimensions



Features

- IP66 Rated
- Industry-leading 5G vibration rating per ANSI C136.31
- ANSI C136.41 7-pin receptacle, compatible with wireless control systems
- 100,000-Hour LED lifespan
- 10-Year, limited warranty

Ordering Matrix

Family	IES Type	Wattage	Color Temp	Color	Driver Options	Sensor Options
TBLED	4T	32	Y	RG	/D10	/7PR
	3T = Type III	95 = 95W	Y = 3000K Warm	RG = Roadway Gray	/D10 = 0-10V Dimming Standard	/7PR = 7-Pin Receptacle Standard
	2T = Type II	64 = 64W	AY = 2000K HPS Warm		/480/D10 = 480V 0-10V Dimming	/7PRS = 7-Pin Receptacle w/Shorting Cap
	4T = Type IV	48 = 48W	N = 4000K Neutral			/PCT = 120-277V Twistlock Photocell w/7-Pin Receptacle
		32 = 32W	Blank = 5000K Cool			/PCT4 = 480V Twistlock Photocell w/7-Pin Receptacle

