

LED roadway lighting that replaces up to 250W MH or 150W HPS. Optics are factory installed and meet IES Distribution Type IV.

Color: Gray

Weight: 9.2 lbs

Project:

Type:

Prepared By:

Date:

### Driver Info

Type	Constant Current
120V	N/A
208V	N/A
240V	N/A
277V	N/A
Input Watts	31.6W

### LED Info

Watts	32W
Color Temp	5000K (Cool)
Color Accuracy	73 CRI
L70 Lifespan	100,000 Hours
Lumens	3,436 lm
Efficacy	108.7 lm/W

## Technical Specifications

### Compliance

#### UL Listed:

Suitable for wet locations. Minimum of 75° supply conductors.

#### IP Rating:

Ingress protection rating of IP66 for dust and water

#### IESNA LM-79 & LM-80 Testing:

RAB LED luminaires and LED components have been tested by an independent laboratory in accordance with IESNA LM-79 and LM-80.

### Construction

#### IES Classification:

The Type IV distribution (also known as a Forward Throw) is especially suited for illuminating the perimeter of parking areas and for intersections. It produces a semicircular distribution with essentially the same candlepower at lateral angles from 90° to 270°.

#### Vibration Rating:

Industry-leading 5G vibration rating per ANSI C136.31

#### Ambient Temperature:

Suitable for use in up to 40°C (104°F)

#### Cold Weather Starting:

The minimum starting temperature is -40°C (-40°F)

#### Thermal Management:

Superior thermal management design with external Air-Flow fins provides maximum operational life, even in high ambient temperature environments

#### Housing:

Die-cast aluminum housing with polycarbonate driver cover

#### Lens:

Clear acrylic lens with integrated optics

#### Mounting:

Fits most standard roadway upsweep arms. Adaptor brackets supplied fit 1", 1 1/4", 1 1/2" and 2" pipe arms. Fixture can be tilted at the following angles -5°, -2.5°, 0°, +2.5°, +5°.

#### Gaskets:

High-temperature silicone gaskets

#### Effective Projected Area:

EPA = 0.7

#### Finish:

Formulated for high durability and long-lasting color

#### Green Technology:

Mercury and UV free. RoHS-compliant components.

### LED Characteristics

#### LEDs:

Multi-chip, high-output, long-life LEDs

#### Color Uniformity:

RAB's range of Correlated Color Temperature follows the guidelines of the American National Standard for Specifications for the Chromaticity of Solid State Lighting (SSL) Products, ANSI C78.377-2017.

### Electrical

#### Drivers:

Constant Current, Class 2, 480V, 50-60Hz,

#### Dimming Driver:

Driver includes dimming control wiring for 0-10V dimming systems. Requires separate 0-10V DC dimming circuit. Dims down to 10%.

#### 7-Pin Receptacle:

ANSI C136.41 7-pin receptacle, compatible with wireless control systems

#### Surge Protection:

10kV

## Technical Specifications (continued)

### Optical

**BUG Rating:**

B1 U0 G1

### Other

**Accessory:**

Shorting Cap for 7-Pin Receptacle [available here](#).

**Buy American Act Compliance:**

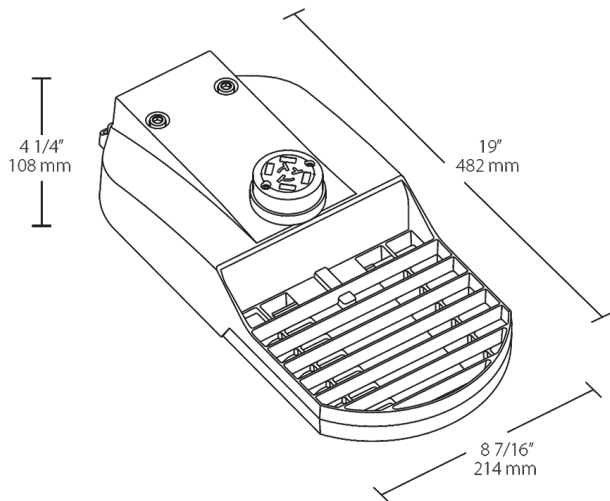
RAB values USA manufacturing! Upon request, RAB may be able to manufacture this product to be compliant with the Buy American Act (BAA). Please contact customer service to request a quote for the product to be made BAA compliant.

### Performance

**Wattage Equivalency:**

Equivalent to 70W Metal Halide/50W HPS

## Dimensions



## Features

IP66 Rated

Industry-leading 5G vibration rating per ANSI C136.31

ANSI C136.41 7-pin receptacle, compatible with wireless control systems

100,000-Hour LED lifespan

10-Year, limited warranty

## Ordering Matrix

Family	IES Type	Wattage	Color Temp	Color	Driver Options	Sensor Options
TBLED	4T	32		RG	/480/D10	/7PR
	3T = Type III	95 = 95W	Y = 3000K Warm	RG = Roadway Gray	/D10 = 0-10V Dimming Standard	/7PR = 7-Pin Receptacle Standard
	2T = Type II	64 = 64W	AY = 2000K HPS Warm		/480/D10 = 480V 0-10V Dimming	/7PRS = 7-Pin Receptacle w/Shorting Cap
	4T = Type IV	48 = 48W	N = 4000K Neutral			/PCT = 120-277V Twistlock Photocell w/7-Pin Receptacle
		32 = 32W	Blank = 5000K Cool			/PCT4 = 480V Twistlock Photocell w/7-Pin Receptacle