

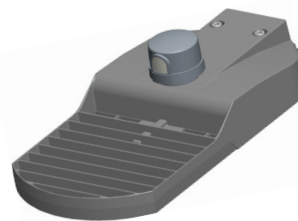
# TRIBORO® TBLED 32W 48W 64W 95W INSTALLATION INSTRUCTIONS



Thank you for buying RAB lighting fixtures. Our goal is to design the best quality products to get the job done right. We'd like to hear your comments. Call the Marketing Department at 888-RAB-1000 or email: [marketing@rabweb.com](mailto:marketing@rabweb.com)



TRIBORO 32W/ 48W/ 64W with PCT



TRIBORO 95W with PCT

## IMPORTANT

**READ CAREFULLY BEFORE INSTALLING FIXTURE. RETAIN THESE INSTRUCTIONS FOR FUTURE REFERENCE.**

RAB fixtures must be wired in accordance with the National Electrical Code and all applicable local codes. Proper grounding is required for safety. THIS PRODUCT MUST BE INSTALLED IN ACCORDANCE WITH THE APPLICABLE INSTALLATION CODE BY A PERSON FAMILIAR WITH THE CONSTRUCTION AND OPERATION OF THE PRODUCT AND THE HAZARDS INVOLVED.

**WARNING: Make certain power is OFF before installing or maintaining fixture. No user serviceable parts inside.**

## POLE MOUNTING

1. Open the **Door** by pressing the **Tool-Less Entry Latches**.
2. The **Housing** fits on 1in to 2-3/8in **Pole Tenon**. Based on the tenon arm diameter, carefully knockout the appropriate **Pole Cover**.
3. Slide the **Housing** through **Pole Bracket** on the **Pole Tenon**. **Pole Mounting Clamp** along with hardware provided.
4. The **Housing** can be mounted at -5 degree, -2.5 degree, 0 degree, 2.5 degree and 5 degree shown in circle in Fig. 1 and Fig. 2. Use **Leveling Bubble** to level **Housing**. Note: **Housing** is mounted at 0 degree in Fig. 2.
5. Secure Housing on pole using **Pole Mounting Clamp** and tightening **Bolts (2)** provided.
6. Make necessary connections according to NEC and local codes to **Terminal Block** in **Housing**.
7. Close the **Door**.

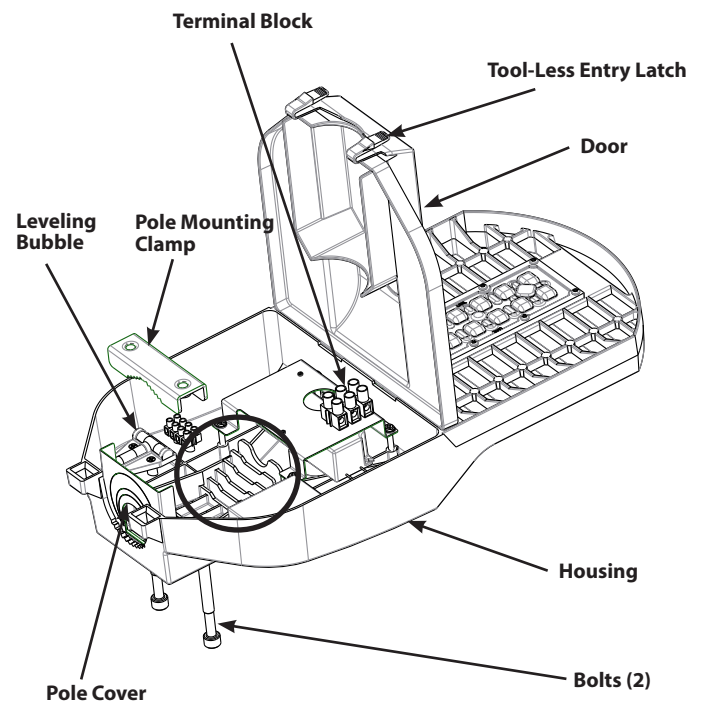


Fig.1

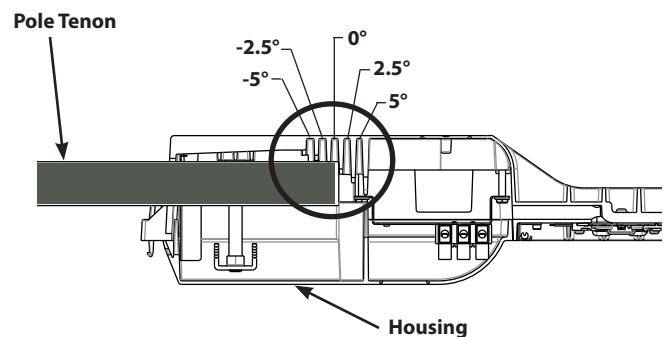


Fig.2

# TRIBORO® TBLED 32W 48W 64W 95W INSTALLATION INSTRUCTIONS

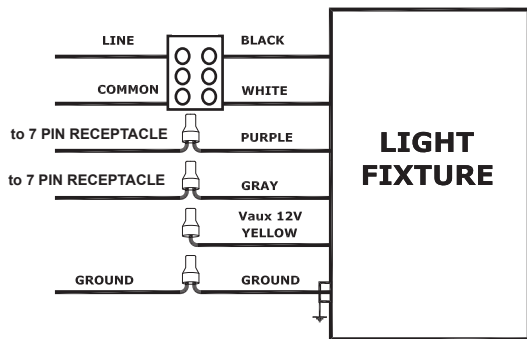


Thank you for buying RAB lighting fixtures. Our goal is to design the best quality products to get the job done right. We'd like to hear your comments. Call the Marketing Department at 888-RAB-1000 or email: [marketing@rabweb.com](mailto:marketing@rabweb.com)

## 0-10V DIMMABLE WIRING

Universal voltage driver permits operation at 120V thru 277V, 50 or 60 Hz. Units ordered with (/480/D10) suffix operate at 480V, 50Hz/ 60Hz. Factory ordered fixtures with suffix (/PCTx) is with 7 pin receptacle and 3pin twist-lock photocell, where x=4 operates at 480V and x=blank operates at 120-277V. 10KV surge protector provided with the fixture. For 0-10V Dimming, follow the wiring directions as in Fig. 3.

1. Connect the black fixture lead to the LINE supply lead.
2. Connect the white fixture lead to the COMMON supply lead.
3. Connect the GROUND wire from fixture to supply ground. Do NOT connect the GROUND of the dimming fixture to the output.
4. The purple fixture lead is connected to the purple of the 7 pin receptacle.
5. The gray fixture lead is connected to the gray of the 7 pin receptacle.
6. Cap the yellow fixture lead, if present. Do NOT connect.



## CLEANING & MAINTENANCE

**CAUTION: Be sure fixture temperature is cool enough to touch. Do not clean or maintain while fixture is energized.**

1. Lens should be washed in a solution of warm water and any mild, non abrasive household detergent, rinsed with clean water and wiped dry.
2. Do not open fixture to clean the LED. Do not touch the LED.

*Note: These instructions do not cover all details or variations in equipment nor do they provide for every possible situation during installation, operation or maintenance.*



## Easy Installation & Product Help

**Tech Help Line**  
Call our experts 888 RAB-1000

**rabweb.com**  
Visit our website for product info

**email**  
Answered promptly [sales@rabweb.com](mailto:sales@rabweb.com)

## 7 PIN RECEPTACLE

Triboro is supplied with 7 pin receptacle wired in the fixture as standard.

Brown and Orange wires from the receptacle are not connected and are reserved to DALI or other control systems.

## TROUBLESHOOTING

1. Check that the line voltage at fixture is correct. Refer to wiring directions.
2. Be sure the fixture is grounded properly.
3. Is the photocell functioning properly (if used)?