



LED roadway lighting that replaces up to 250W MH or 150W HPS. Optics are factory installed and meet IES Distribution Type II.

Color: Gray

Weight: 9.2 lbs

Project:

Type:

Prepared By:

Date:

### Driver Info

Type	Constant Current
120V	N/A
208V	N/A
240V	N/A
277V	N/A
Input Watts	32W

### LED Info

Watts	32W
Color Temp	5000K (Cool)
Color Accuracy	73 CRI
L70 Lifespan	100,000 Hours
Lumens	3,686 lm
Efficacy	115.2 lm/W

## Technical Specifications

### Compliance

#### UL Listed:

Suitable for wet locations. Minimum of 75° supply conductors.

#### IP Rating:

Ingress protection rating of IP66 for dust and water

#### IESNA LM-79 & LM-80 Testing:

RAB LED luminaires and LED components have been tested by an independent laboratory in accordance with IESNA LM-79 and LM-80.

### Construction

#### IES Classification:

The Type II distribution is ideal for wide walkways, on ramps and entrance roadways, bike paths and other long and narrow lighting applications. This type is meant for lighting larger areas and usually is located near the roadside. This type of lighting is commonly found on smaller side streets or jogging paths.

#### Vibration Rating:

Industry-leading 5G vibration rating per ANSI C136.31

#### Ambient Temperature:

Suitable for use in up to 40°C (104°F)

#### Cold Weather Starting:

The minimum starting temperature is -40°C (-40°F)

#### Thermal Management:

Superior thermal management design with external Air-Flow fins provides maximum operational life, even in high ambient temperature environments

#### Housing:

Die-cast aluminum housing with polycarbonate driver cover

#### Lens:

Clear acrylic lens with integrated optics

#### Mounting:

Fits most standard roadway upsweep arms. Adaptor brackets supplied fit 1", 1 1/4", 1 1/2" and 2" pipe arms. Fixture can be tilted at the following angles -5°, -2.5°, 0°, +2.5°, +5°.

#### Gaskets:

High-temperature silicone gaskets

#### Effective Projected Area:

EPA = 0.7

#### Finish:

Formulated for high durability and long-lasting color

#### Green Technology:

Mercury and UV free. RoHS-compliant components.

### LED Characteristics

#### LEDs:

Multi-chip, high-output, long-life LEDs

#### Color Uniformity:

RAB's range of Correlated Color Temperature follows the guidelines of the American National Standard for Specifications for the Chromaticity of Solid State Lighting (SSL) Products, ANSI C78.377-2017.

### Electrical

#### Drivers:

Constant Current, Class 2, 480V, 50-60Hz,

#### Dimming Driver:

Driver includes dimming control wiring for 0-10V dimming systems. Requires separate 0-10V DC dimming circuit. Dims down to 10%.

#### 7-Pin Receptacle:

ANSI C136.41 7-pin receptacle, compatible with wireless control systems

#### Surge Protection:

10kV

## Technical Specifications (continued)

### Optical

#### BUG Rating:

B1 U0 G1

### Other

#### Accessory:

Shorting Cap for 7-Pin Receptacle [available here](#).

#### Buy American Act Compliance:

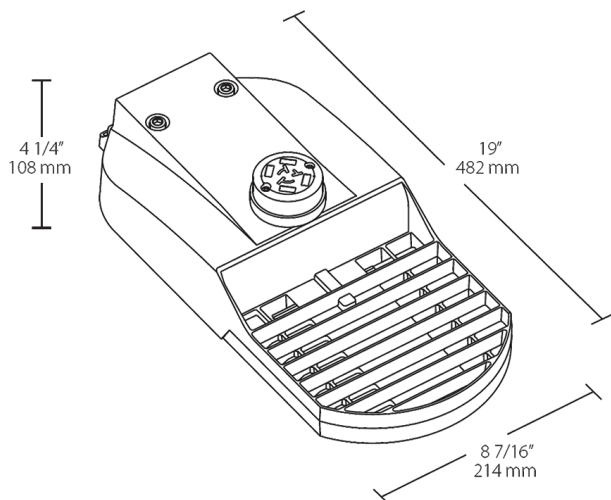
RAB values USA manufacturing! Upon request, RAB may be able to manufacture this product to be compliant with the Buy American Act (BAA). Please contact customer service to request a quote for the product to be made BAA compliant.

### Performance

#### Wattage Equivalency:

Equivalent to 70W Metal Halide/50W HPS

## Dimensions



## Features

IP66 Rated

Industry-leading 5G vibration rating per ANSI C136.31

ANSI C136.41 7-pin receptacle, compatible with wireless control systems

100,000-Hour LED lifespan

10-Year, limited warranty

## Ordering Matrix

Family	IES Type	Wattage	Color Temp	Color	Driver Options	Sensor Options
TBLED	2T	32		RG	/480/D10	/7PR
	3T = Type III	95 = 95W	Y = 3000K Warm	RG = Roadway Gray	/D10 = 0-10V Dimming Standard	/7PR = 7-Pin Receptacle Standard
	2T = Type II	64 = 64W	AY = 2000K HPS Warm		/480/D10 = 480V 0-10V Dimming	/7PRS = 7-Pin Receptacle w/Shorting Cap
	4T = Type IV	48 = 48W	N = 4000K Neutral			/PCT = 120-277V Twistlock Photocell w/7-Pin Receptacle
		32 = 32W	Blank = 5000K Cool			/PCT4 = 480V Twistlock Photocell w/7-Pin Receptacle