

# INSTRUCTIONS

## LED T8 Tube Series - Double ended bypass/line voltage

**RAB** | Lamps

RAB Lighting is committed to creating high-quality, affordable, well-designed and energy-efficient LED lighting and controls that make it easy for electricians to install and end users to save energy. We'd love to hear your comments. Please call the Marketing Department at 888-RAB-1000 or email: [marketing@rablighting.com](mailto:marketing@rablighting.com)

T8-9-24G-8XX-DE-BYP



### SAFETY PRECAUTIONS

#### WARNINGS:

- **Make certain power is OFF before installing or maintaining fixture.**
- **Installers should not disconnect existing wires from lamp holder terminals to make new connections at lamp holder terminals.** Instead installers should cut existing lamp holder leads away from the lamp holder and make new electrical connections to lamp holder lead wires by employing applicable connectors.
- **RISK OF ELECTRIC SHOCK.** Install this kit only in the luminaires that have the construction features and dimensions shown in the photographs and/or drawings and where the input rating of the retrofit kit does not exceed the input rating of the luminaire.

#### SAFETY INFORMATION:

For your and others' safety, please read the precaution carefully before installation:

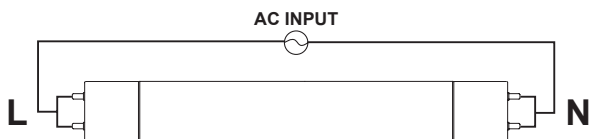
- (1). Risk of fire or electric shock. LED Retrofit Kit installation requires knowledge of luminaires electrical systems. If not qualified, do not attempt installation. Contact a qualified electrician.
- (2). Switch off the power supply before commencing work, make sure correct connection before power on.
- (3). NOT FOR EMERGENCY LIGHTING.

Do not make or alter any open holes in an enclosure of wiring or electrical components during kit installation.

To prevent wiring damage or abrasion, do not expose wiring to edges of sheet metal or other sharp objects.

### PRODUCT FEATURES

- UL certified
- Plug-n-Play replacement
- Full glass housing: no aging, yellowing, bending
- Double ended:



- Product applications: widely used in residential buildings, offices, shopping malls, supermarkets, hospitals, assembly lines, warehouses, etc. for energy-saving illumination.

### INSTALLATION INSTRUCTIONS

The ballast wiring represents typical configuration. The actual ballast wiring varies according to ballast model.

It is not needed to change socket (if in good condition) to operate double ended lamps, regardless the type of sockets. Please make sure one side of fixture is connected to Live (L) and the other side to Neutral (N).

# INSTRUCTIONS

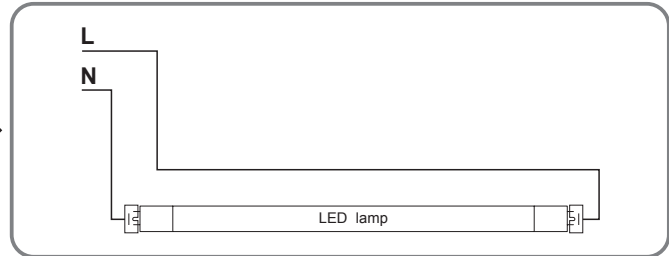
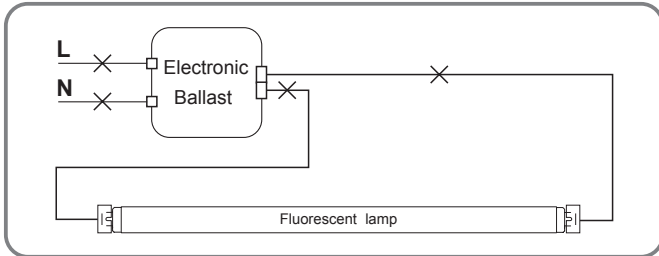
## LED T8 Tube Series - Double ended bypass/line voltage

RAB Lighting is committed to creating high-quality, affordable, well-designed and energy-efficient LED lighting and controls that make it easy for electricians to install and end users to save energy. We'd love to hear your comments. Please call the Marketing Department at 888-RAB-1000 or email: [marketing@rablighting.com](mailto:marketing@rablighting.com)

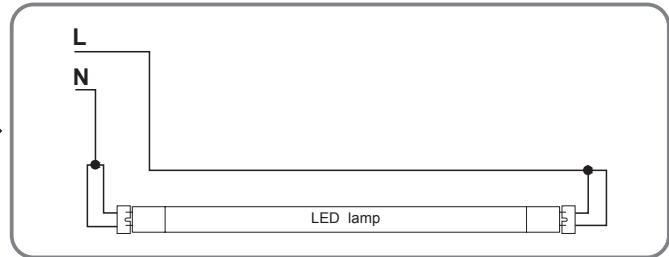
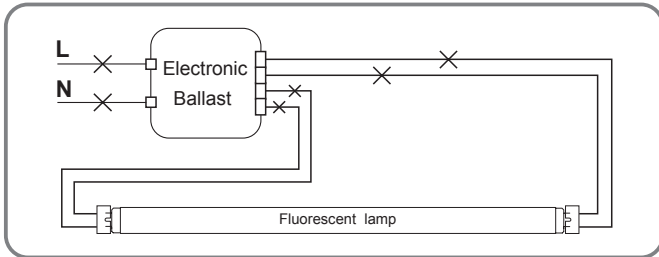
### Wiring Instruction

#### Retrofit luminaire with 1 lamp

##### Instant Start

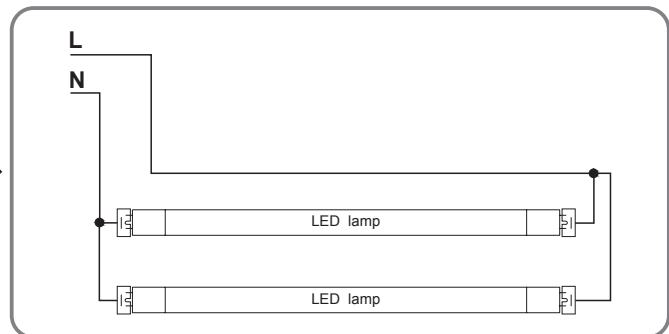
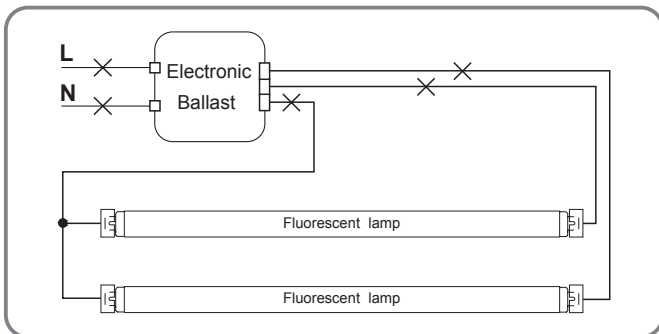


##### Program Start or Rapid Start

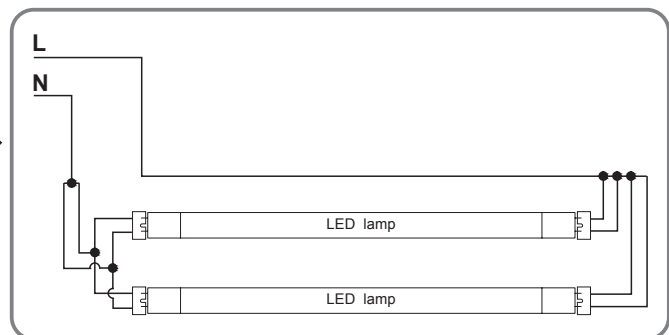
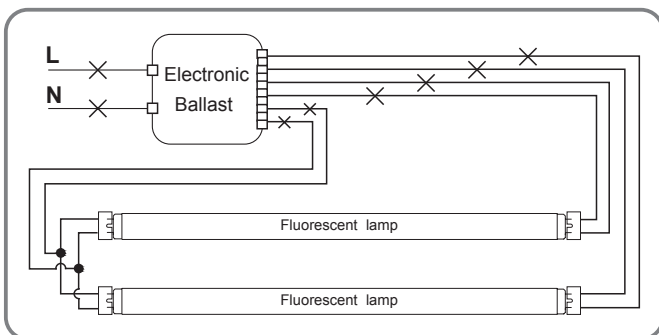


#### Retrofit luminaire with 2 lamps

##### Instant Start



##### Program Start or Rapid Start



# INSTRUCTIONS

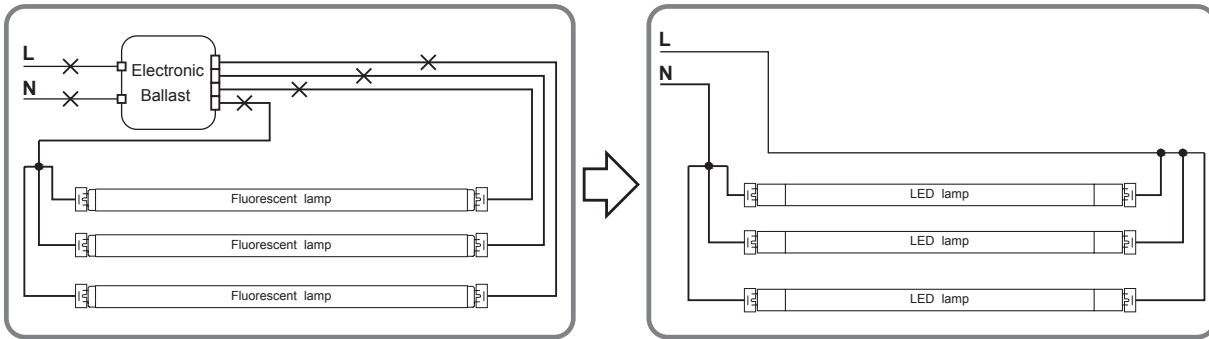
## LED T8 Tube Series - Double ended bypass/line voltage

RAB Lighting is committed to creating high-quality, affordable, well-designed and energy-efficient LED lighting and controls that make it easy for electricians to install and end users to save energy. We'd love to hear your comments. Please call the Marketing Department at 888-RAB-1000 or email: [marketing@rablighting.com](mailto:marketing@rablighting.com)

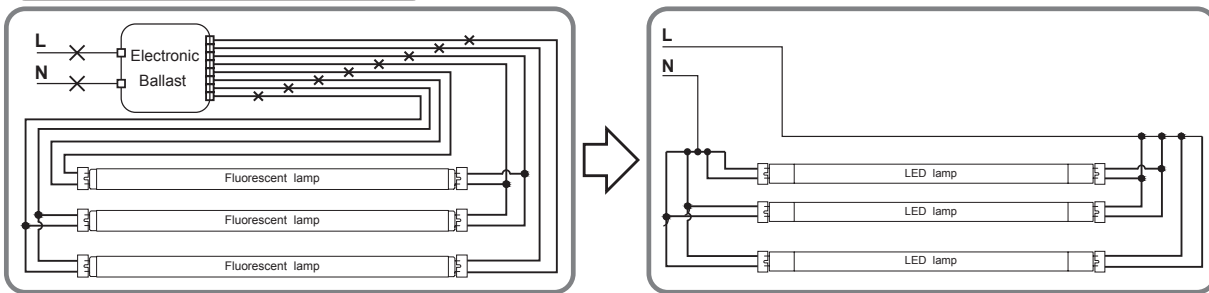
### Wiring Instruction

#### Retrofit luminaire with 3 lamps

##### Instant Start

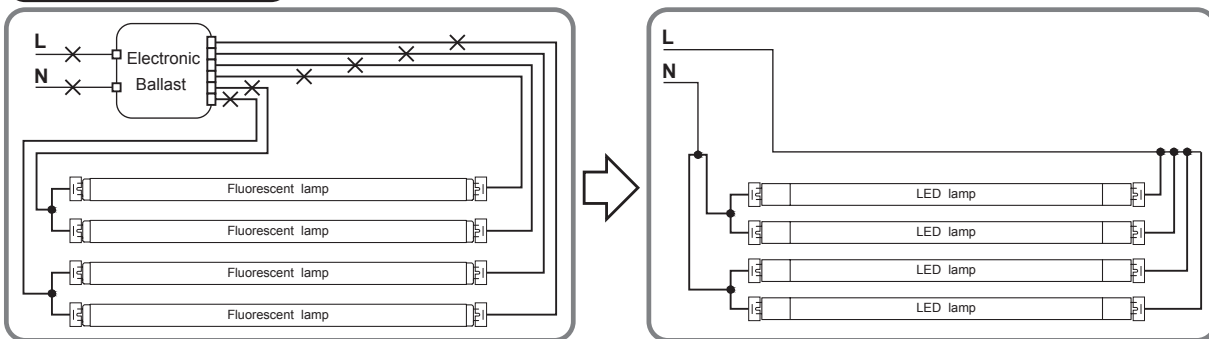


##### Program Start or Rapid Start

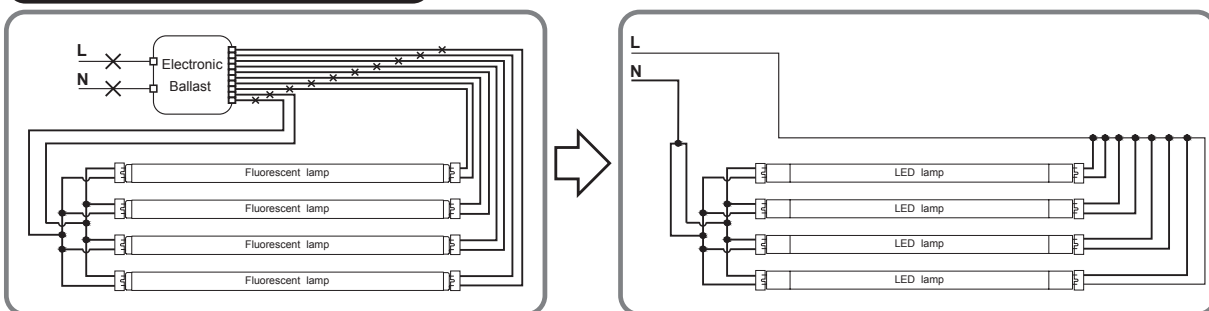


#### Retrofit luminaire with 4 lamps

##### Instant Start



##### Program Start or Rapid Start



# INSTRUCTIONS

## LED T8 Tube Series - Double ended bypass/line voltage

RAB Lighting is committed to creating high-quality, affordable, well-designed and energy-efficient LED lighting and controls that make it easy for electricians to install and end users to save energy. We'd love to hear your comments. Please call the Marketing Department at 888-RAB-1000 or email: [marketing@rablighting.com](mailto:marketing@rablighting.com)

### PRODUCT NOTES

The units covered by this report were intended to retrofit surface mount, Type IC or non-IC recessed mount Listed fluorescent luminaires that use maximum 4 tubular lamps, the minimum lamp compartment dimensions are tabulated below:

Model Number	Minimum Lamp Compartment Dimensions [Length x Width x Height] [mm]	Lamp Quantity
T8-9-24G-8XX-DE-BYP	610 x 340 x 45	4
T8-14-48G-8XX-DE-BYP T8-17-48G-8XX-DE-BYP	1230 x 340 x 45	4

### MAINTENANCE NOTES

- Disconnect lamp from power supply before any maintenance.
- Clean luminaire with dry cloth.
- Do not clean the lamp with corrosive chemicals.
- NOT FOR EMERGENCY LIGHTING.

### WARNING

Installers should not disconnect existing wires from lamp holder terminals to make new connections at lamp holder terminals. Instead installers should cut existing lamp holder leads away from the lamp holder and make new electrical connections to lamp holder lead wires by employing applicable connectors.

THIS RETROFIT ASSEMBLY IS ACCEPTED AS A COMPONENT OF A LUMINAIRE WHERE THE SUITABILITY OF THE COMBINATION SHALL BE DETERMINED BY UL OR AUTHORITIES HAVING JURISDICTION.

THERE ARE LED TUBE, OPERATION INSTRUCTION AND FIELD APPLIED LABEL IN THIS RETROFIT KIT.

This device complies with Part 15 of the FCC Rules. Operation is subject to the following two conditions: (1) this device may not cause harmful interference, and (2) this device must accept any interference received, including interference that may cause undesired operation.