

INSTRUCTIONS

T8 LED SIGN TUBE

RAB®

RAB Lighting is committed to creating high-quality, affordable, well-designed and energy-efficient LED lighting and controls that make it easy for electricians to install and end users to save energy. We'd love to hear your comments. Please call the Marketing Department at 888-RAB-1000 or email: marketing@rablighting.com



GENERAL PURPOSE
RETROFIT SIGN
CONVERSION
FOR USE ONLY
IN ACCORDANCE WITH
KIT INSTRUCTIONS

KIT IS COMPLETE ONLY WHEN ALL PARTS
REQUIRED BY THE INSTRUCTIONS ARE PRESENT

IMPORTANT

READ CAREFULLY BEFORE INSTALLING TUBES. RETAIN THESE INSTRUCTIONS FOR FUTURE REFERENCE.

RAB LED tubes must be wired in accordance with the National Electrical Code and all applicable local codes. Proper grounding is required for safety. THIS PRODUCT MUST BE INSTALLED IN ACCORDANCE WITH THE APPLICABLE INSTALLATION CODE BY A PERSON FAMILIAR WITH THE CONSTRUCTION AND OPERATION OF THE PRODUCT AND THE HAZARDS INVOLVED. KIT IS COMPLETE ONLY WHEN ALL PARTS REQUIRED BY THE INSTRUCTIONS ARE PRESENT.

WARNINGS:

- **Risk of electric shock** - Do not use where directly exposed to water.
- **Risk of fire or electric shock** - LED Retrofit Kit installation requires knowledge of sign electrical systems. If not qualified, do not attempt installation. Contact a qualified electrician.
- **Risk of fire or electric shock** - Install this kit only in host signs that have been identified in the installation instructions and where the input rating of the retrofit kit does not exceed the input rating of the sign.
- **Risk of fire or electric shock** - Installation of this LED retrofit kit may involve drilling or punching of holes into the structure of the sign. Check for enclosed wiring and components to avoid damage to wiring and electrical parts.
- Prevent wiring damage or abrasion, do not expose wiring to edges of sheet metal or other sharp objects.
- Installers should not disconnect existing wires from lampholder terminals to make new connections at lampholder terminals. Instead installers should cut existing lampholder leads away from the lampholder and make new electrical connections to lampholder lead wires by employing applicable connectors.
- Installers should examine all parts that are not intended to be replaced by the retrofit kit for damage and replace any damaged parts prior to installation of the retrofit kit.
- Repair and seal any unused openings in the electrical enclosure. Openings greater than 12.7-mm (1/2-in) diameter require a metal patch secured by screws or rivets and caulked with non-hardening caulk. Smaller openings may be sealed with non-hardening caulk.

SAFETY INFORMATION:

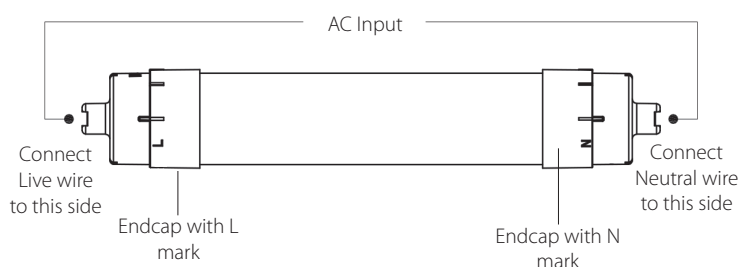
For your and others' safety, please read the precaution carefully before installation:

- Always keep AC supply off during installation.
- The electrical rating is 120-277Vac, the installer must determine whether they have 120-277Vac at the luminaire before installation.
- The light source contained in this luminaire shall only be replaced by the manufacturer, its service agent, or a similar qualified person.
- Not for use with dimmers.
- This product is not intended for use with emergency exits.
- Do not make or alter any open holes in an enclosure of wiring or electrical components during kit installation.

PARTS/COMPONENTS INCLUDED IN KIT

- Installation Instructions 10pcs/carton
- LED Lamp 10pcs/carton
- Luminaire Marking Labels 10pcs/carton

WIRING DIAGRAM



INSTRUCTIONS

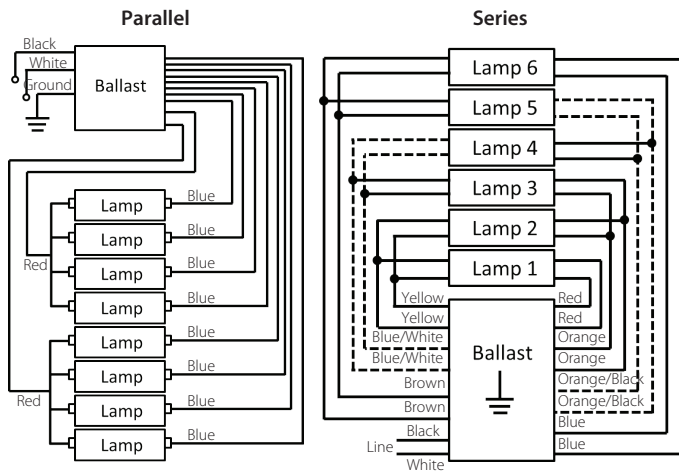
T8 LED SIGN TUBE



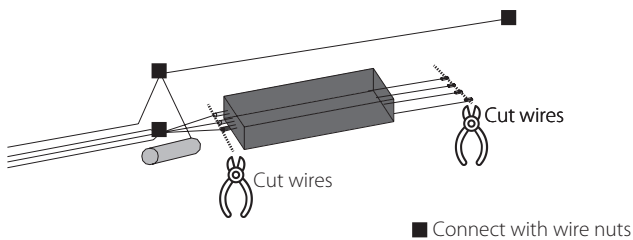
RAB Lighting is committed to creating high-quality, affordable, well-designed and energy-efficient LED lighting and controls that make it easy for electricians to install and end users to save energy. We'd love to hear your comments. Please call the Marketing Department at 888-RAB-1000 or email: marketing@rablighting.com

INSTALLATION INSTRUCTIONS

1. Make sure POWER IS OFF, remove diffuser (If applicable), fluorescent tubes, lens and wiring if applicable.
2. Confirm that the Lamp Holders in the fixture are in good shape and are bi-pin R17D Lamp Holders.
3. Access sign raceway/wiring box. Ballast configuration should be similar to one of the diagrams.



4. Remove the all leads of the electronic ballast in the previous luminaire. Cut as far away from the lamp holders to allow for longer lengths of wire at both lamp holders (Note: Ballast must be retained in place.)

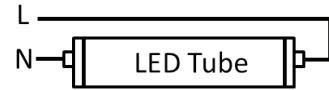


5. If a disconnect switch is integral to the disconnect ballast, the disconnect switch will need to be relocated and mounted to a visible location on the sign. Make sure the electrical rating of the switch or circuit breaker is not exceeded. See "Mounting Instructions for Disconnect Switch"
6. Confirm that power is still disconnected from fixture and fixture is properly grounded.
7. Follow the step below to install single lamp or multiple lamps

INSTALLATION INSTRUCTIONS (Cont'd)

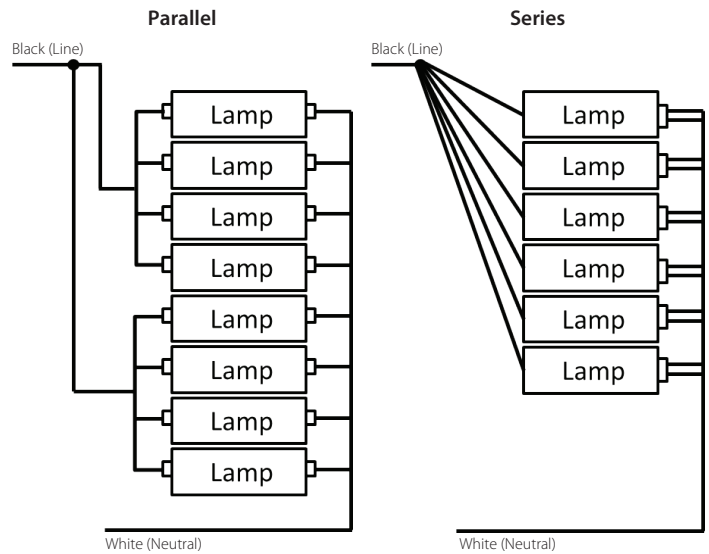
Single Lamp

Connect the line AC wire to one lampholder and the neutral AC wire to lampholder on the opposite end. If only one lamp is being, proceed to step 8.

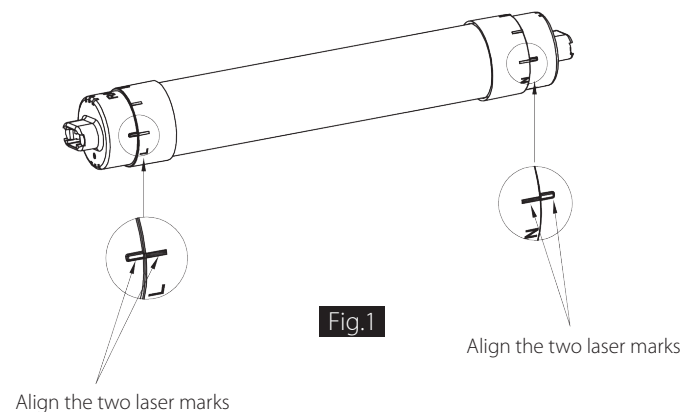


Multiple Lamps

Rewire the fixture using existing lampholders as shown below according to the original ballast wiring configuration. Maximum 8 tubes used. Note: Ensure the minimum spacing between the side and side of the lamp is 85mm (3.35 in.)



8. Complete all electrical connections with appropriate connectors/wire nuts as needed, per all local and national electrical codes.
9. Install Sign tubes, Align laser marks. (Fig.1)



INSTRUCTIONS

T8 LED SIGN TUBE



RAB Lighting is committed to creating high-quality, affordable, well-designed and energy-efficient LED lighting and controls that make it easy for electricians to install and end users to save energy. We'd love to hear your comments. Please call the Marketing Department at 888-RAB-1000 or email: marketing@rablighting.com

INSTALLATION INSTRUCTIONS (Cont'd)

10. Connect Live and Neutral wires accordingly. (Fig.2)

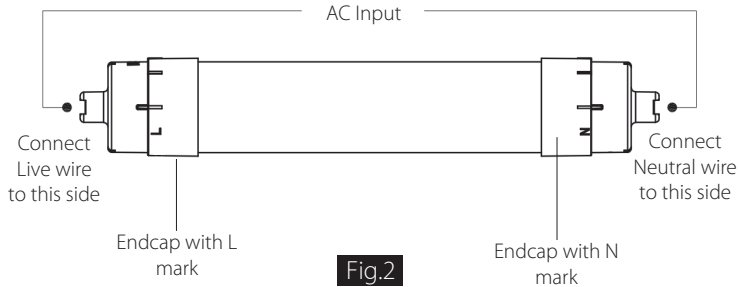


Fig.2

11. Attach the Luminaire Marking Label to the luminaire. Assemble the tubes into the R17D Lamp Holders. (Fig.3)

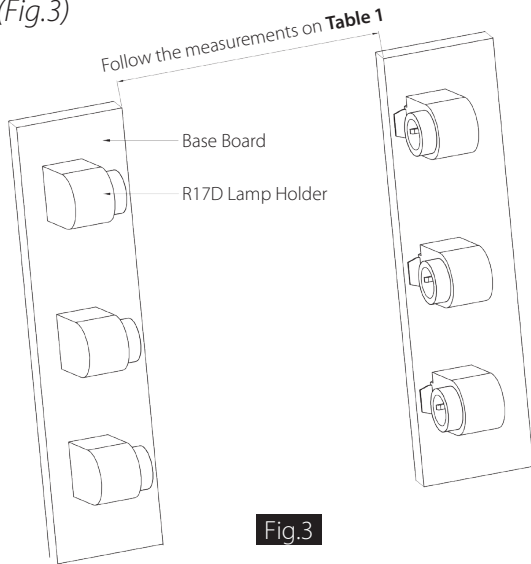


Fig.3

12. Rotate the tubes from 0° to 90° to get the best illumination. (Fig.4)

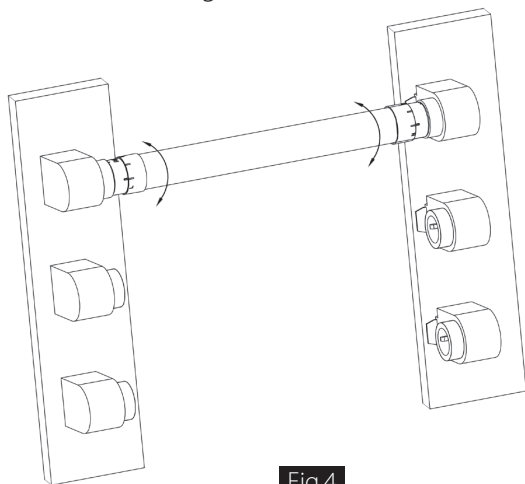


Fig.4

INSTALLATION INSTRUCTIONS (Cont'd)

13. Reinstall diffuser (if applicable) to complete the assembly. (Fig.5)

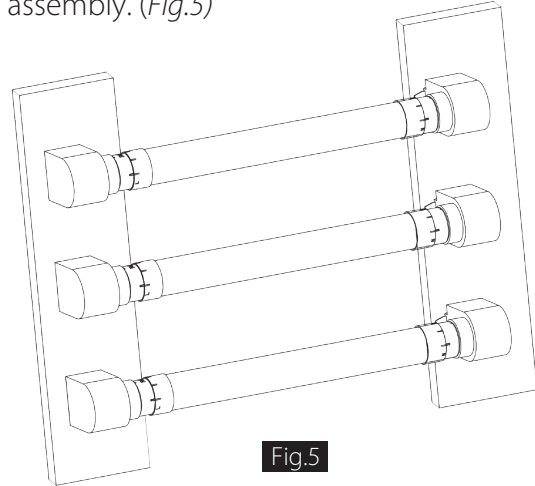


Fig.5

14. Apply power to fixture and check for illumination.

MOUNTING INSTRUCTIONS FOR DISCONNECT SWITCH (IF APPLICABLE)

1. Install at a location at or near the point of each supply connection of sign
2. Switch shall have a manual actuator which shall be protected against mechanical injury and shall be operable before entering the electrical enclosure
3. Switch shall open all ungrounded conductors
4. Switch shall be marked with the ON and OFF positions
5. Switch shall have no energized parts (primary) accessible to contact when in the OFF position, and
6. Switch shall not be of the solid-state type.
7. Switch shall be suitable for wet location use or provided with a wet-location switch boot if mounted to an outdoor rated sign

Model	Input Ratings						Envv(*)
	V	AC	DC	Frequency Hz.	Max W	Max mA	
T8-7-18P2S-8XX-DE-BYP	120-277	X		50/60	7	65	Damp
T8-9-24P2S-8XX-DE-BYP	120-277	X		50/60	9	80	Damp
T8-12-30P2S-8XX-DE-BYP	120-277	X		50/60	12	105	Damp
T8-15-36P2S-8XX-DE-BYP	120-277	X		50/60	15	130	Damp
T8-17.5-42P2S-8XX-DE-BYP	120-277	X		50/60	17.5	145	Damp
T8-19.5-48P2S-8XX-DE-BYP	120-277	X		50/60	19.5	175	Damp
T8-24-60P2S-8XX-DE-BYP	120-277	X		50/60	24	215	Damp
T8-26-64P2S-8XX-DE-BYP	120-277	X		50/60	26	225	Damp
T8-29.5-72P2S-8XX-DE-BYP	120-277	X		50/60	29.5	265	Damp
T8-35-84P2S-8XX-DE-BYP	120-277	X		50/60	35	295	Damp
T8-39.5-96P2S-8XX-DE-BYP	120-277	X		50/60	39.5	350	Damp
T8-43-108P2S-8XX-DE-BYP	120-277	X		50/60	43	380	Damp
T8-46-117P2S-8XX-DE-BYP	120-277	X		50/60	46	400	Damp
T8-47.5-120P2S-8XX-DE-BYP	120-277	X		50/60	47.5	430	Damp

Note: These instructions do not cover all details or variations in equipment nor do they provide for every possible situation during installation, operation or maintenance.

INSTRUCTIONS

T8 LED SIGN TUBE



RAB Lighting is committed to creating high-quality, affordable, well-designed and energy-efficient LED lighting and controls that make it easy for electricians to install and end users to save energy. We'd love to hear your comments. Please call the Marketing Department at 888-RAB-1000 or email: marketing@rablighting.com

ACCESSORY INSTALLATION - CABLE KIT

Application : for horizontal applications over 8' long

1. Attach the **Magnetic Mounting Bracket** to the top of the inside of the light box.
2. Adjust the **Self-Clamping Tension Lock** up or down the **Cable Wire** according to your preferred height. (Fig.6)
3. Insert the Tube Light through the **Lamp-Holding C-Clip**. (Fig.7)

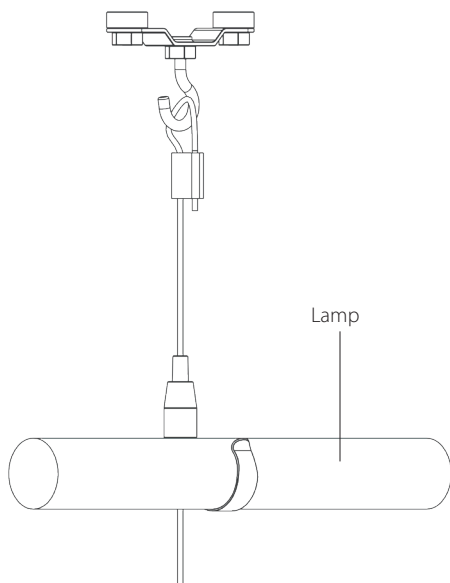


Fig.7

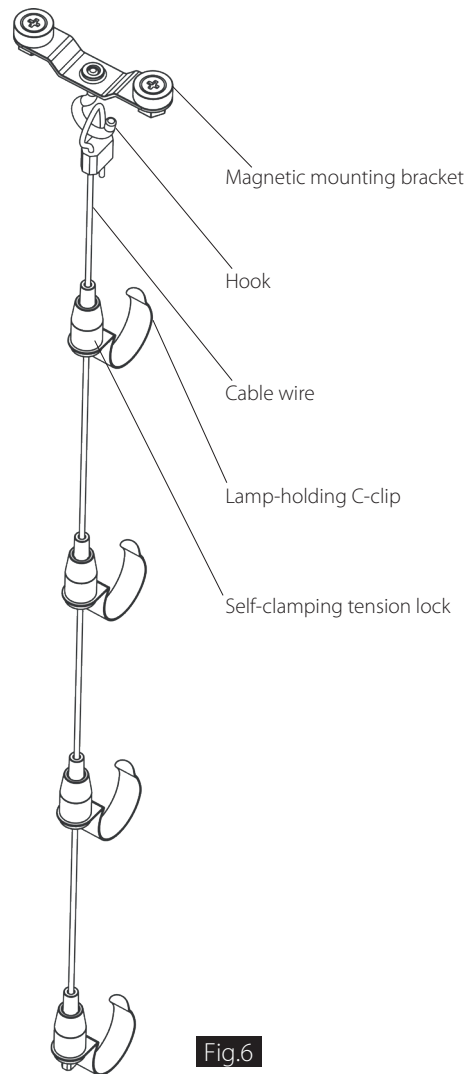
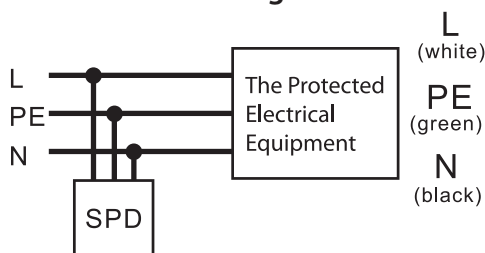


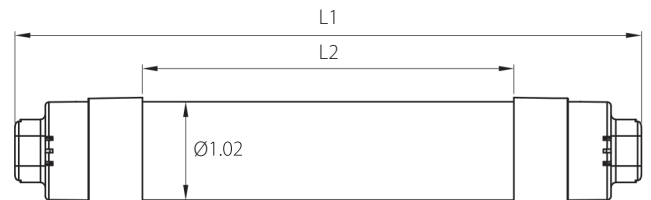
Fig.6

ACCESSORY INSTALLATION - SURGE PROTECTIVE DEVICE (OPTIONAL)

Installation drawing



DIMENSIONAL DRAWING (inch)



	1.5ft	2ft	2.5ft	3ft	3.5ft	4ft	5ft	5.3ft	6ft	7ft	8ft	9ft	9.75ft	10ft
L1 (inch)	15.8	21.8	27.8	33.8	39.8	45.8	57.8	61.8	69.8	81.8	93.8	105.8	114.8	117.8
L2 (inch)	13.2	19.8	25.2	31.2	37.2	43.2	55.2	59.2	67.2	79.2	91.2	103.2	112.2	115.2



Easy Answers

rablighting.com
Visit our website for product info

Tech Help Line
Call our experts: 888 722-1000

e-mail
Answered promptly - sales@rablighting.com

Free Lighting Layouts
Answered online or by request