

Project:	Type:	Prepared By:	Date:
-----------------	--------------	---------------------	--------------



Features and Benefits

- Replacement for conventional fluorescent T8 and T12 linear tubes
- Integral Driver enables lamp to be wired directly to line voltage without need for an external driver or ballast
- Approximately 50% more energy efficient when compared to Fluorescent T8 lamps
- Works with non-shunted sockets ONLY
- Separate wiring harness and socket kit accessory available
- 50,000 hour Lifespan
- Rated for use in enclosed and open fixtures in dry or damp locations
- Diffused frosted lens will maintain the same light quality over time
- Instant on full brightness
- Environmentally friendly, no mercury used
- NSF Listed: NSF/ANSI Standard 2 - Food Equipment - Splash Zone (Not for Direct Food Zone without additional fixture considerations)

Technical Specifications		
Performance	Nominal Length:	Dimmable:
Product Type: Linear	4 ft	No
Input Wattage: 15W	Finish: Frosted	Input Voltage: 100-277V
Wattage Equivalency: 32W Fluorescent	For Use Outdoors in Open Fixtures: No	Operating Frequency: 50/60Hz
Lumens: 1,650lm	LED Characteristics	Optical
Efficacy: 110lm/W	Color Temperature: 3500K Neutral White	Beam Angle: 240°
L70 Lifespan: 50,000 Hours	Color Accuracy (CRI): 82 CRI	Other
Construction	Installation	Warranty:
Material: Glass	Base Type: G13	RAB warrants that our LED products will be free from defects in materials and workmanship for a period of five (5) years from the date of delivery to the end user, including coverage of light output, color stability, driver performance and fixture finish. RAB's warranty is subject to all terms and conditions found at rablighting.com/warranty .
Bulb Shape: T8	Installation Type: Type B, Single Ended wiring	
	Electrical	
	Operating Temperature: -20°C to 45°C (-4°F to 113°F)	

Technical Specifications (continued)

Compliance

UL Recognized:

Yes

UL Classified:

Yes

NSF Listed:

Meets NSF/ANSI standards for use in Food Zone (non-contact), Splash, and Non-Food Zones. Tube guard required in open fixtures.

California Energy Commission (CEC) Status:

Lawful for Sales in California

Application:

Suitable for damp locations and totally enclosed fixtures.

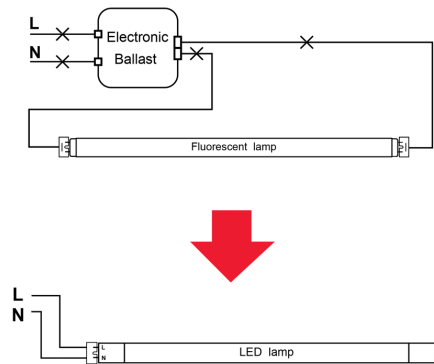
Minimum Compartment Size

Length x Width x Height [in]	Lamp Quantity
49	4

Case and Pallet Dimensions

	QTY	LENGTH (in)	WIDTH (in)	HEIGHT (in)
CASE	25	49.2	7.9	7
PALLET	30	49.2	39.4	48.8

Wiring Diagram



Dimension

