

| | | | |
|-----------------|--------------|---------------------|--------------|
| Project: | Type: | Prepared By: | Date: |
|-----------------|--------------|---------------------|--------------|



Features and Benefits

LEDs located on both sides of the tube provides 360-degree light output
 Optics designed to deliver smooth even light without hot spots
 Multiple lengths available for any application needed
 120V-277V - Universal voltage
 Ambient temperature: -20°C/-4°F to 55°C/131°F
 Rotatable endcaps allow installer to direct light where needed
 Robust plastic and aluminum construction to minimize breakage
 Mercury and UV free. RoHS-compliant components.
 Double-ended bypass installation for simple install and reduced maintenance costs

| Technical Specifications | | |
|--|--|---|
| Performance | Nominal Length: | Input Voltage: |
| Product Type: Linear | 3 ft | 120-277V AC |
| Input Wattage: 15W | Finish: Clear | Other |
| Lumens (Nominal): 1,950lm | LED Characteristics | Warranty: |
| Efficacy: 130lm/W | Color Temperature: 6500K Daylight Deluxe | RAB warrants that our LED products will be free from defects in materials and workmanship for a period of five (5) years from the date of delivery to the end user, including coverage of light output, color stability, driver performance and fixture finish. RAB's warranty is subject to all terms and conditions found at rablighting.com/warranty . |
| L70 Lifespan: 50,000 Hours | Color Accuracy (CRI): 80 CRI | Installation |
| Construction | Electrical | Installation Type: Type B, Ballast Bypass |
| Material: Plastic and Aluminum | THD: <20% | Compliance |
| Bulb Shape: T8 | Power Factor: >0.9 | UL Listed: Suitable for damp locations. Suitable for use in enclosed fixtures. Listed in SAM Manual. |
| Base Type: R17d | Operating Frequency: 50/60Hz | California Energy Commission (CEC) Status: Lawful for Sales in California |
| | Dimmable: No | |

Technical Specifications (continued)

Application:

Suitable for damp locations and totally enclosed fixtures.

Technical Specifications

Accessories:

Cable Kit 4FT: [ST-4L-CABLE-KIT](#)

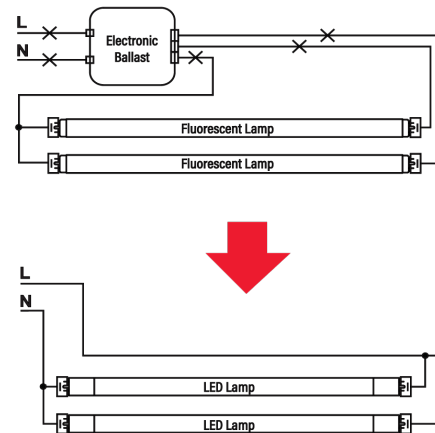
Cable Kit 6FT: [ST-6L-CABLE-KIT](#)

Surge Protector Compatibility: [SP10KV](#)

Case and Pallet Dimensions

| | QTY | LENGTH (in) | WIDTH (in) | HEIGHT (in) |
|--------|-----|-------------|------------|-------------|
| CASE | 10 | 7.7 | 3 | 39 |
| PALLET | 660 | 39.4 | 43.3 | 47.2 |

Wiring Diagram



Dimension

