

UPC: 019813601687

These Hybrid Type A/B tubes allow installation on the ballast or direct wiring to line voltage.

Color: White

Weight: 0.5 lbs

Project:	Type:
Prepared By:	Date:

Technical Specifications

Performance

Product Type:

Linear Tube

Wattage Equivalency:

32W Fluorescent

Input Wattage:

13W

Lumens (Nominal):

2,000lm

Efficacy:

154lm/W

L70 Lifespan:

50,000-Hour LED lifespan based on IES LM-70 results

Electrical

THD:

Type A: Dependent on ballast

Type B: <20%

Power Factor:

Type A: Dependent on ballast

Type B: >0.9

Dimmable:

Type A: Yes

Type B: No

Dimming Type:

Compatible 0-10V dimmer and ballast, see Dimmer Compatibility List

Input Voltage:

Type A: Ballast dependent

Type B: 120-277V

Operating Frequency:

50/60Hz

Input Current @ 120V (mA):

Type B: 120mA

Input Current @ 208V (mA):

Type B: 0.07mA

Input Current @ 240V (mA):

Type B: 0.06mA

Input Current @ 277V (mA):

Type B: 0.05mA

Operating Temperature:

-4°F to 113°F (-20°C to 45°C)

Flicker:

Type A: Depends on ballast ~<15%

Type B: 50%-70%

LED Characteristics

Color Temperature:

4000K

Color Accuracy (CRI):

>80 CRI

R9 Value:

High color performance with R9 no less than 0

Color Consistency:

<4-step MacAdam Ellipse binning to achieve consistent fixture-to-fixture color

Color Stability:

LED color temperature is warrantied to shift no more than 200K in color temperature over a 5-year period

Color Uniformity:

RAB's range of Correlated Color Temperature follows the guidelines of the American National Standard for Specifications for the Chromaticity of Solid State Lighting (SSL) Products, ANSI C78.377-2017.

Technical Specifications (continued)**Installation****Installation Method:**

UL Type A+B, Hybrid

Construction**Base Type:**

G13

Nominal Length:

2 ft

Bulb Shape:

T8

Endcap Material:

Plastic

Enclosure Material:

Plastic

Lens Finish:

Frosted

Compliance**Listings:**

UL Listed, UL Classified

Environment:

Suitable for use in dry and damp environments

Fixture Rating:

Suitable for use in enclosed fixtures

California Title 24 JA8 Compliant:

Not applicable

California Energy Commission (CEC) Status:

Lawful for Sales in California

NSF Listed:

Meets NSF/ANSI standards for use in Food Zone (non-contact), Splash, and Non-Food Zones. Tube guard required in open fixtures.

RoHS:

Mercury and UV free. RoHS-compliant components.

FCC:

Complies with Part 15B of the FCC Rules

DLC Listed:

This product is on the Design Lights Consortium (DLC) Qualified Products List and is eligible for rebates from DLC Member Utilities. Designed to meet DLC 5.1 requirements.

DLC Product Code: PLEFIKY6E4A9

Other**Compatible Products:**

See Dimmer and Ballast compatibility lists.

Warranty:

RAB warrants that our LED products will be free from defects in materials and workmanship for a period of five (5) years from the date of delivery to the end user, including coverage of light output, color stability, driver performance and fixture finish. RAB's warranty is subject to all terms and conditions found at rablighting.com/warranty.

Note:

All values are typical (tolerance +/- 10%)

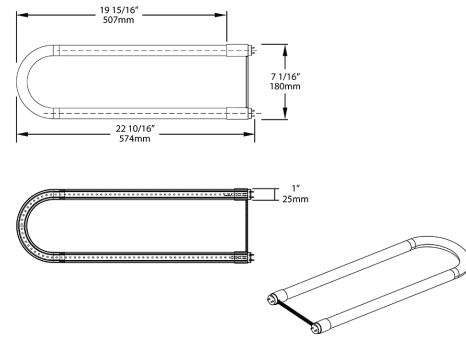
Buy American Act Compliance:

RAB values USA manufacturing! Upon request, RAB may be able to manufacture this product to be compliant with the Buy American Act (BAA). Please contact customer service to request a quote for the product to be made BAA compliant.

Case and Pallet Dimensions

	QTY	LENGTH (in)	WIDTH (in)	HEIGHT (in)
CASE	12	0	0	0
PALLET	0	0	0	0

Dimension



Features

- Direct Replacement for 32W/23T8/U6 Fluorescent Lamps
- TYPE A - Plug and play compatible with most common commercial instant start T8 electronic ballasts
- TYPE B - can be wired directly to line voltage 120-277V. Can be wired using Single or Double ended method.
- Works with both shunted and non-shunted sockets
- Rated for use in enclosed and open fixtures in dry or damp locations

Ordering Matrix

Family	Wattage	Length/Material	CRI/Color Temp	Wiring Method	Installation Type
T8	13	U6G	840	SD	HYB
	13 = 13W	U6G = U6G	850 = 80 CRI, 5000K 840 = 80 CRI, 4000K 835 = 80 CRI, 3500K 830 = 80 CRI, 3000K	SD = Single and Double	HYB = Hybrid