

INSTRUCTIONS

LED T8 Tube Series-Ballast Replacement



RAB Lighting is committed to creating high-quality, affordable, well-designed and energy-efficient LED lighting and controls that make it easy for electricians to install and end users to save energy. We'd love to hear your comments. Please call the Marketing Department at 888-RAB-1000 or email: marketing@rablighting.com



IMPORTANT

READ CAREFULLY BEFORE INSTALLING FIXTURE. RETAIN THESE INSTRUCTIONS FOR FUTURE REFERENCE.

RAB LED tubes must be wired in accordance with the National Electrical Code and all applicable local codes. Proper grounding is required for safety. THIS PRODUCT MUST BE INSTALLED IN ACCORDANCE WITH THE APPLICABLE INSTALLATION CODE BY A PERSON FAMILIAR WITH THE CONSTRUCTION AND OPERATION OF THE PRODUCT AND THE HAZARDS INVOLVED.

WARNINGS:

- LED Luminaire Retrofit Kit Including LED Tube, Installation instructions, Luminaire Marking Label.
- Make certain power is OFF before installing or maintaining fixture.
- RISK OF ELECTRIC SHOCK. SUITABLE FOR DAMP LOCATIONS.

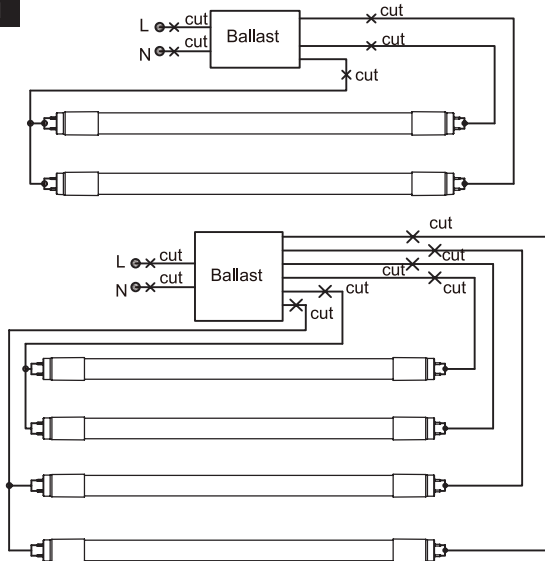
SAFETY INFORMATION:

- (1) To prevent wiring damage or abrasion, do not expose wiring to edges of sheet metal or other sharp objects.
- (2) This retrofit kit is accepted as a component of a luminaire where the suitability of the combination shall be determined by authorities having jurisdiction. PRODUCT MUST BE INSTALLED BY A QUALIFIED ELECTRICIAN IN ACCORDANCE WITH THE APPLICATION AND APPROPRIATE ELECTRICAL CODES. THE INSTALLATION GUIDE DOES NOT SUPERSEDE LOCAL OR NATIONAL REGULATIONS FOR ELECTRICAL INSTALLATIONS.
- (3) Do not make or alter any open holes in an enclosure of wiring or electrical components during kit installation.
- (4) Installers should not disconnect existing wires from lampholder terminals to make new connections at lampholder terminals. Instead installers should cut existing lampholder leads away from the lampholder and make new electrical connections to lampholder lead wires by employing applicable connectors. All electrical connections shall be provided with an enclosure.
- (5) This device is not intended for use with emergency exits.

INSTALLATION INSTRUCTIONS

- 1) Make sure the power supply is turned off.
2. Open/Remove ballast wiring compartment cover (Fig. 1).

Fig: 1

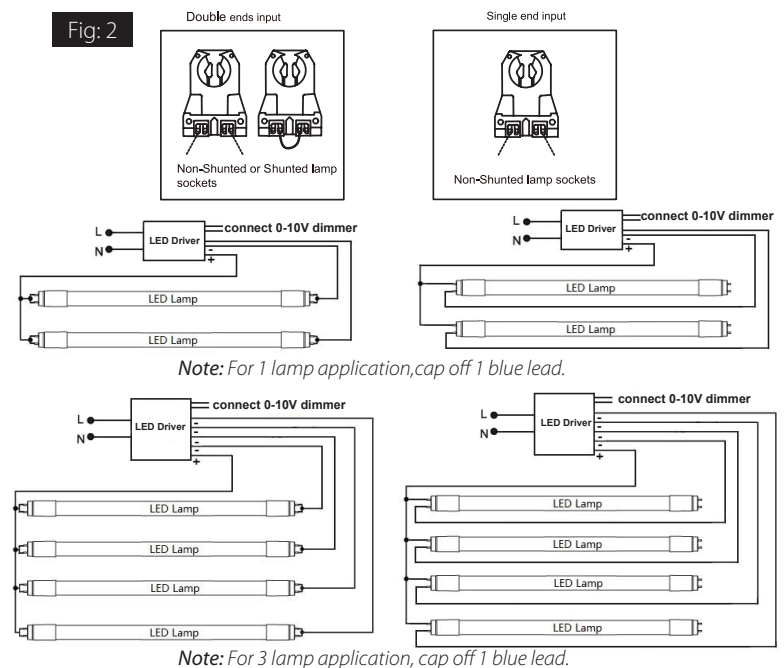


3. Wiring the driver as following figures, (Fig. 2) the LED tube designed can be both single end input or double ends input.

INSTALLATION INSTRUCTIONS (cont'd)

Please install according to the type of lamp sockets, double ends input for non-shunted or shunted lamp sockets, single end input for non-shunted sockets only.

Fig: 2



4. Turn power on.

Note: These instructions do not cover all details or variations in equipment nor do they provide for every possible situation during installation, operation or maintenance.

INSTRUCTIONS

LED T8 Tube Series-Ballast Replacement



RAB Lighting is committed to creating high-quality, affordable, well-designed and energy-efficient LED lighting and controls that make it easy for electricians to install and end users to save energy. We'd love to hear your comments. Please call the Marketing Department at 888-RAB-1000 or email: marketing@rablighting.com

WARNING

RISK OF FIRE OR ELECTRIC SHOCK. Installation of this retrofit kit requires a person familiar with the construction and operation of the luminaire's electrical system and the hazards involved. If not qualified, do not attempt installation. Contact a qualified electrician.

RISK OF FIRE OR ELECTRIC SHOCK. Install this kit only in the luminaire that has the construction features and dimensions shown in the photographs and/or drawings and where the input rating of the retrofit kit does not exceed the input rating of the luminaire.

WARNING: TO AVOID POTENTIAL FIRE OR SHOCK HAZARD, do not use this retrofit kit in luminaires employing shunted bi-pin lampholders. **Note:** Shunted lamp holders are found only in fluorescent luminaires with Instant-Start ballasts. Instant-start ballasts can be identified by the words "Instant Start" or "I.S." marked on the ballast. This designation may be in the form of a statement pertaining to the ballast itself, or may be combined with the marking for the lamps with which the ballast is intended to be used, for example F40T12/IS. For more information, contact the LED luminaire retrofit kit manufacturer.

DO NOT INSTALL THIS LAMP IN A PRE-HEAT LUMINAIRE.

CAUTION RISK OF FIRE. If the lamp or luminaire exhibits undesirable operation (buzzing, flickering, etc.), immediately turn off power, remove lamp from luminaire and contact manufacturer.

RISK OF FIRE OR ELECTRIC SHOCK. LED Retrofit Kit installation requires knowledge of luminaires electrical systems. If not qualified, do not attempt installation. Contact a qualified electrician.

CAUTION RISK OF FIRE. To avoid potential fire or shock hazard, do not use this retrofit kit in luminaires employing shunted bi-pin lampholders. Note: Shunted lamp holders are found only in fluorescent luminaires with Instant-Start ballasts. Instant-start ballasts can be identified by the words "Instant Start" or "I.S." marked on the ballast. This designation may be in the form of a statement pertaining to the ballast itself, or may be combined with the marking for the lamps with which the ballast is intended to be used, for example F40T12/IS. For more information, contact the LED luminaire retrofit kit manufacturer.

THIS RETROFIT KIT IS ACCEPTED AS A COMPONENT OF A LUMINAIRE WHERE THE SUITABILITY OF THE COMBINATION SHALL BE DETERMINED BY AUTHORITIES HAVING JURISDICTION.

WARNING

This equipment has been tested and found to comply with the limits for a Class B digital device, pursuant to part 15 of the FCC Rules. These limits are designed to provide reasonable protection against harmful interference in a residential installation. This equipment generates, uses and can radiate radio frequency energy and, if not installed and used in accordance with the instructions, may cause harmful interference to radio communications. However, there is no guarantee that interference will not occur in a particular installation. If this equipment does cause harmful interference to radio or television reception, which can be determined by turning the equipment off and on, the user is encouraged to try to correct the interference by one or more of the following measures:

- Reorient or relocate the receiving antenna.
- Increase the separation between the equipment and receiver.
- Connect the equipment into an outlet on a circuit different from that to which the receiver is connected.
- Consult the dealer or an experienced radio/TV technician for help.

COMPATIBILITY TABLE

COMPATIBILITY LAMP

Lamp \ Driver	DRI-60T5HE/T8-4L-DIM	DRI-30T5HE/T8-2L-DIM
T8-11H-48G-8XX-EXT	3 lamps / 4 lamps	1 lamp / 2 lamps

0 - 10V DIMMER COMPATIBILITY

Brand	Model
Leviton	IP710-LFZ
Lutron	NTSTV-DV
Lutron	NFTV
Lutron	DVSTV
Lutron	DVSCTV

Emergency driver back up compatibility

RAB SKU: DRI-5-EMGR-TYPE C



Easy Answers

rablighting.com
Visit our website for product info

Tech Help Line
Call our experts: 888 722-1000

e-mail
Answered promptly - sales@rablighting.com

Free Lighting Layouts
Answered online or by request