

# INSTRUCTIONS

## LED T5 tube series- Single or Double-Ended Bypass



RAB Lighting is committed to creating high-quality, affordable, well-designed and energy-efficient LED lighting and controls that make it easy for electricians to install and end users to save energy. We'd love to hear your comments. Please call the Marketing Department at 888-RAB-1000 or email: [marketing@rablighting.com](mailto:marketing@rablighting.com)

T5HO-12-24G-8XX-SD-BYP  
T5HO-16-36G-8XX-SD-BYP  
T5HE-13-48G-8XX-SD-BYP  
T5HO-25-48G-8XX-SD-BYP



### IMPORTANT

#### **READ CAREFULLY BEFORE INSTALLING FIXTURE. RETAIN THESE INSTRUCTIONS FOR FUTURE REFERENCE.**

RAB LED tubes must be wired in accordance with the National Electrical Code and all applicable local codes. Proper grounding is required for safety. THIS PRODUCT MUST BE INSTALLED IN ACCORDANCE WITH THE APPLICABLE INSTALLATION CODE BY A PERSON FAMILIAR WITH THE CONSTRUCTION AND OPERATION OF THE PRODUCT AND THE HAZARDS INVOLVED.

#### **WARNING:**

- Risk of fire or electric shock. LED Retrofit Kit installation requires knowledge of luminaire electrical systems. If not qualified, do not attempt installation. Contact a qualified electrician.
- Risk of fire or electric shock. Install this kit only in the luminaires that have the construction features and dimensions shown in the photographs and/or drawings and where the input rating of the retrofit kit does not exceed the input rating of the luminaire.
- To prevent wiring damage or abrasion, do not expose wiring to edges of sheet metal or other sharp objects.
- Do not make or alter any open holes in an enclosure of wiring or electrical components during kit installation.
- Installers should not disconnect existing wires from lampholder terminals to make new connections at lampholder terminals. Instead installers should cut existing lampholder leads away from the lampholder and make new electrical connections to lampholder lead wires by employing applicable connectors.
- This device complies with Part 15 of the FCC Rules. Operation is subject to the following two conditions: (1) this device may not cause harmful interference, and (2) this device must accept any interference received, including interference that may cause undesired operation.
- **WARNING:** To avoid potential fire or shock hazard, do not use this retrofit kit in luminaires employing shunted bi-pin lampholders. Note: Shunted lamp holders are found only in fluorescent luminaires with Instant-Start ballasts. Instant-start ballasts can be identified by the words "Instant Start" or "I.S." marked on the ballast. This designation may be in the form of a statement pertaining to the ballast itself, or may be combined with the marking for the lamps with which the ballast is intended to be used, for example F40T12/IS. For more information, contact the LED luminaire retrofit kit manufacturer.
- Type B LAMP – intended for operation in luminaires with traditional fluorescent-type lampholders wired directly to the branch circuit. This includes both factory-wired luminaires as well as those converted for this purpose under a retrofit program.

#### **SAFETY PRECAUTIONS:**

- Product should be installed by qualified electrician.
- Switch off the power supply before commencing work, make sure correct connection before power on.
- THIS RETROFIT KIT IS ACCEPTED AS A COMPONENT OF A LUMINAIRE WHERE THE SUITABILITY OF THE COMBINATION SHALL BE DETERMINED BY AUTHORITIES HAVING JURISDICTION.
- THERE ARE TUBE, OPERATION INSTRUCTION AND THE FIELD APPLIED DOUBLE-ENDED OR SINGLE-ENDED APPLICATION LABEL IN THIS RETROFIT KIT.
- Only use the control provided with or specified by these instructions to control this lamp. This lamp will not operate properly when connected to a standard (incandescent) dimmer or dimming control. This lamp can dimmed by specified dimmer, please consult with manufacture for detailed dimmer information.

# INSTRUCTIONS

## LED T5 tube series- Single or Double-Ended Bypass



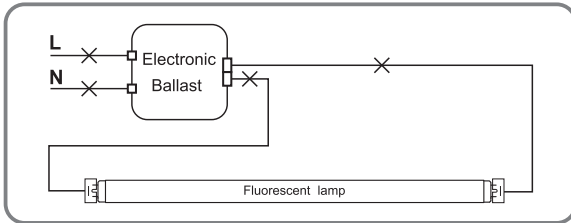
RAB Lighting is committed to creating high-quality, affordable, well-designed and energy-efficient LED lighting and controls that make it easy for electricians to install and end users to save energy. We'd love to hear your comments. Please call the Marketing Department at 888-RAB-1000 or email: [marketing@rablighting.com](mailto:marketing@rablighting.com)

**⚠ The below ballast wiring represents typical configuration. The actual ballast wiring varies according to ballast model. The socket should be non-shunted.**

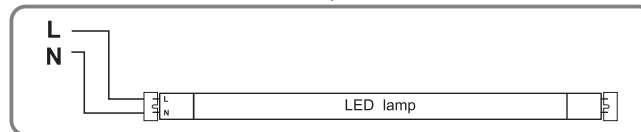
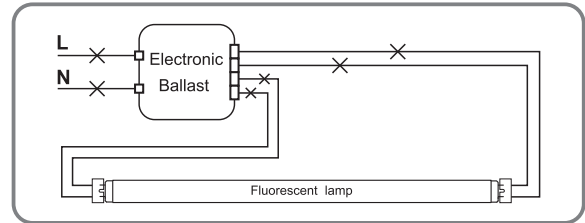
### Single ended Wiring Instruction

#### Retrofit luminaire with 1 lamp

##### Instant Start

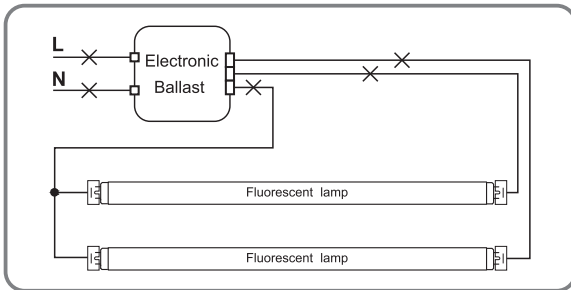


##### Program Start or Rapid Start

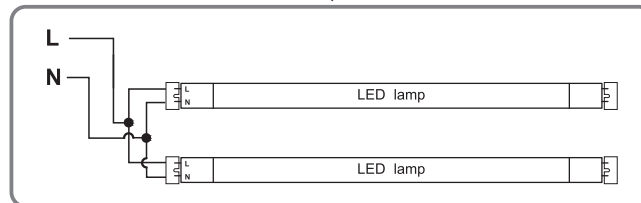
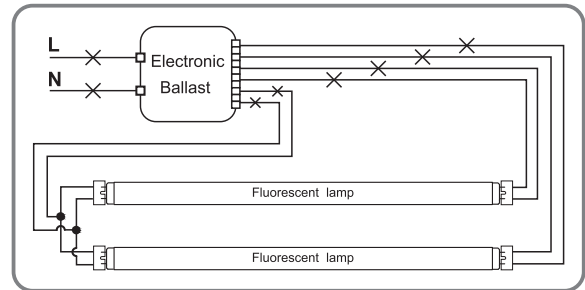


#### Retrofit luminaire with 2 lamps

##### Instant start

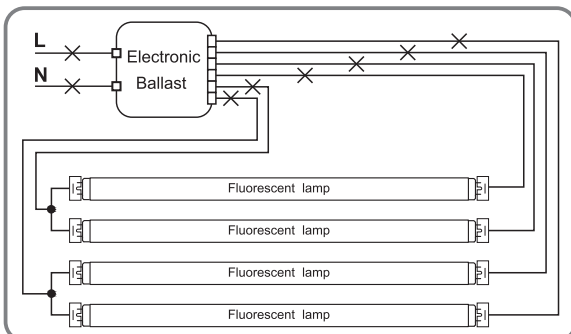


##### Program Start or Rapid Start

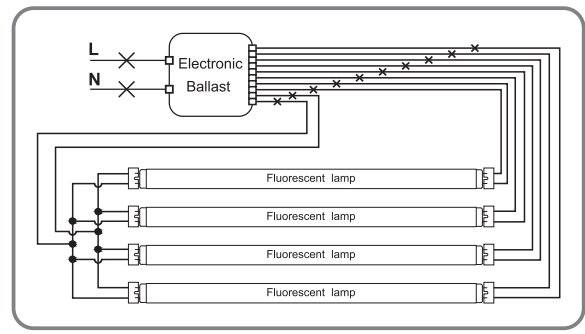


#### Retrofit luminaire with 4 lamps

##### Instant start



##### Program Start or Rapid Start

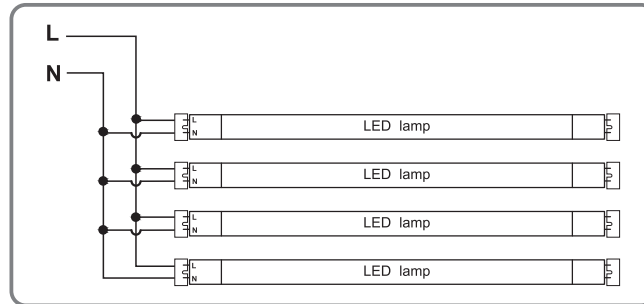


# INSTRUCTIONS

## LED T5 tube series- Single or Double-Ended Bypass



RAB Lighting is committed to creating high-quality, affordable, well-designed and energy-efficient LED lighting and controls that make it easy for electricians to install and end users to save energy. We'd love to hear your comments. Please call the Marketing Department at 888-RAB-1000 or email: [marketing@rablighting.com](mailto:marketing@rablighting.com)

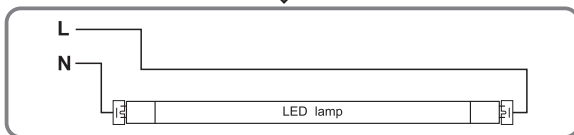
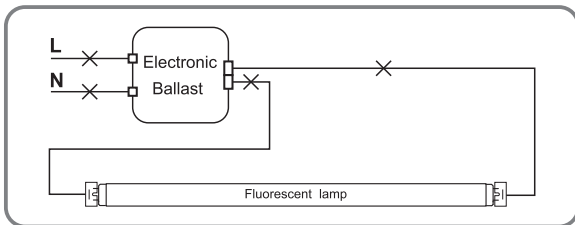


**⚠ The below ballast wiring represents typical configuration. The actual ballast wiring varies according to ballast model. It is not needed to change socket (if in good condition) to operate double ended lamps, regardless the type of sockets. Please make sure one side of fixture is connected to Live (L) and the other side to Neutral (N).**

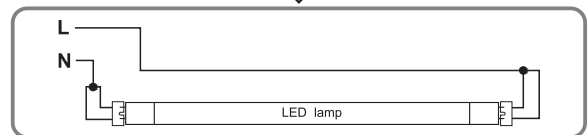
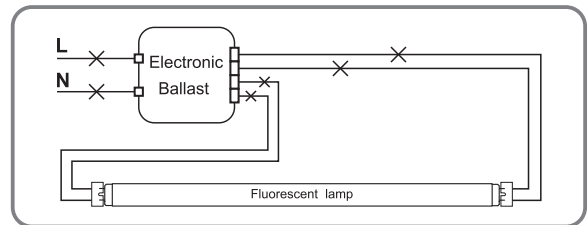
### Double ended Wiring Instruction

#### Retrofit luminaire with 1 lamp

##### Instant Start

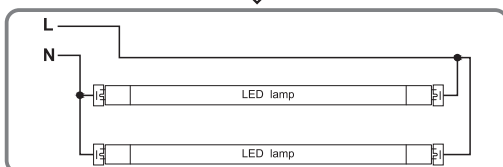
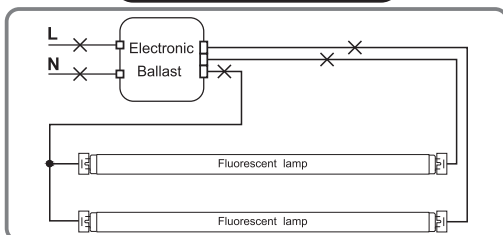


##### Program Start or Rapid Start

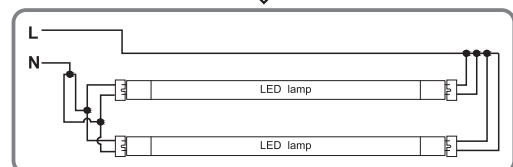
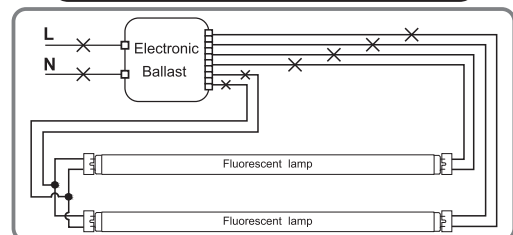


#### Retrofit luminaire with 2 lamps

##### Instant Start



##### Program Start or Rapid Start



# INSTRUCTIONS

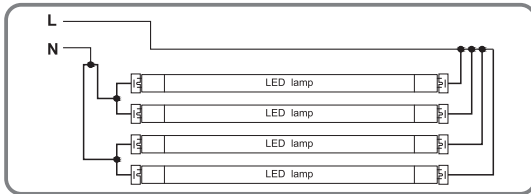
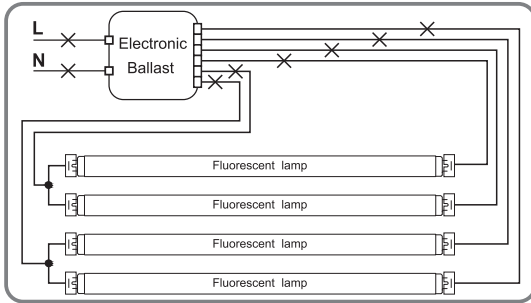
## LED T5 tube series- Single or Double-Ended Bypass



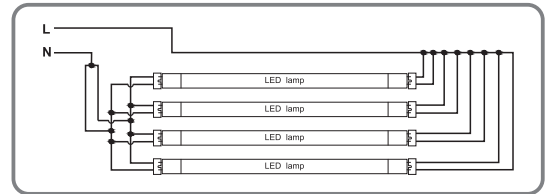
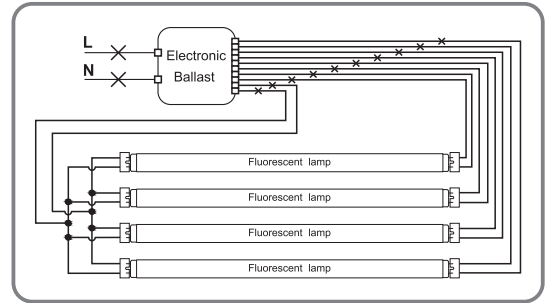
RAB Lighting is committed to creating high-quality, affordable, well-designed and energy-efficient LED lighting and controls that make it easy for electricians to install and end users to save energy. We'd love to hear your comments. Please call the Marketing Department at 888-RAB-1000 or email: [marketing@rablighting.com](mailto:marketing@rablighting.com)

### Retrofit luminaire with 4 lamp

#### Instant Start



#### Program Start or Rapid Start



The units covered by this report were intended to retrofit surface mount, Type IC or non-IC recessed mount Listed fluorescent luminaires that use maximum four or six tubular lamps. The minimum lamp compartment dimensions are tabulated below:

Luminaire overall dimensions, cm	Model Number	T5HO-12-24G-8XX-SD-BYP	T5HO-16-36G-8XX-SD-BYP	T5HE-13-48G-8XX-SD-BY , T5HO-25-48G-8XX-SD-B
	Pieces		4	4
Length		59	92	117
Width		33	57	40
Height		6	7.5	9