



Project:	Type:
Prepared By:	Date:

Driver Info		LED Info	
Type	Constant Current	Watts	30W
120V	0.25A	Color Temp	3500K/4000K/5000K
208V	0.15A	Color	82-84 CRI
240V	0.13A	Accuracy	
277V	0.11A	L70 Lifespan	50,000 Hours
Input Watts	17.2-34.3W	Lumens	2137-4089 lm
		Efficacy	113.2-127.8 lm/W

Technical Specifications

Field Adjustability

Field Adjustable:

Field Adjustable Light Output:
40W/30W/20W (factory default 30W)
Color temperature (selectable by 3500K, 4000K and 5000K)

Compliance

UL Listed:

Suitable for damp locations

CECA Compliant:

Luminaire Requirements used in Environmental Air Space per the electrical code specification of the City of Chicago

Trade Agreements Act Compliant:

This product is a product of Cambodia and a "designated country" end product that complies with the Trade Agreements Act

Construction

IC Rated:

Suitable for direct contact with insulation

Cold Weather Starting:

The minimum starting temperature is -20°C (-4°F)

Maximum Ambient Temperature:

Suitable for use in up to 40°C (104°F)

Lens:

Frosted polystyrene

Housing:

Plastic frame & galvanized steel back housing

Finish:

White

Mounting:

Recessed into T-grid ceiling. Surface and recessed mounting kits available for drywall ceilings.

Green Technology:

Mercury and UV free. RoHS-compliant components.

LED Characteristics

LEDs:

Long-life, high-efficacy, discrete, surface-mount LEDs

Performance

Lifespan:

50,000-Hour LED lifespan based on IES LM-80 results and TM-21 calculations

Wattage Equivalency:

Equivalent to (2) F32T8 or (2) F28T5

Electrical

Drivers:

20W: Constant Current, Class 2, 120-277V, 50/60 Hz, 120V: 0.17A, 208V: 0.10A, 240V: 0.09A, 277V: 0.08A
30W: Constant Current, Class 2, 120-277V, 50/60 Hz, 120V: 0.25A, 208V: 0.15A, 240V: 0.13A, 277V: 0.11A
40W: Constant Current, Class 2, 120-277V, 50/60 Hz, 120V: 0.34A, 208V: 0.20A, 240V: 0.17A, 277V: 0.15A

Dimming Driver:

Driver includes dimming control wiring for 0-10V dimming systems. Requires separate 0-10V DC dimming circuit. Dims down to 10%.

THD:

6.87% at 120V, 9.66% at 277V

Power Factor:

99.54% at 120V, 94.8% at 277V

Battery Backup:

Battery backup will operate the fixture for 90 minutes if power fails. Wired for 120-277V.

Battery Backup Light Loss Factor:

0.33

Technical Specifications (continued)

Other

Note:

All values are typical (tolerance +/- 10%)

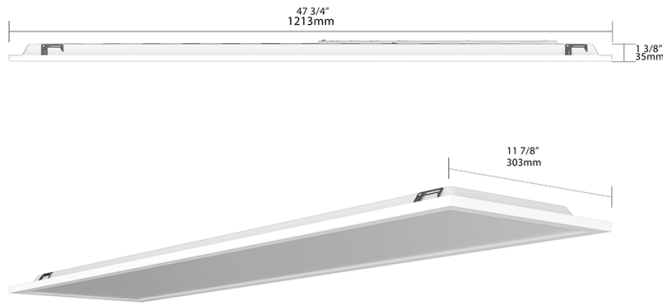
5 Yr Limited Warranty:

The RAB 5-year, limited warranty covers light output, driver performance and paint finish. RAB's warranty is subject to all terms and conditions found at rablighting.com/warranty.

Buy American Act Compliance:

RAB values USA manufacturing! Upon request, RAB may be able to manufacture this product to be compliant with the Buy American Act (BAA). Please contact customer service to request a quote for the product to be made BAA compliant.

Dimensions



Features

- 0-10V dimming
- 50,000-Hour LED lifespan
- 5-Year, limited warranty
- 4 per case, must order in case quantity increments

Ordering Matrix

Family	Size/Wattage	Color Temp	Finish	Voltage	Options
T34FA	1X4				/E
	2X2 = 2' x 2' 40/30/20W 1X4 = 1' x 4' 40/30/20W 2X4 = 2' x 4' 50/40/30W	Blank = 3500K/4000K/5000K	Blank = White	Blank = 0-10V Dimming, 120-277V	Blank = No Option /LC = Lightcloud® Control /LCB = Lightcloud® Blue Enabled /MVS = Microwave Occupancy Sensor /E = Battery Backup