



<b>Project:</b>	<b>Type:</b>
<b>Prepared By:</b>	<b>Date:</b>

Driver Info		LED Info	
Type	Constant Current	Watts	29W
120V	0.25A	Color Temp	Field Adjustable
208V	0.14A	Color Accuracy	83-84 CRI
240V	0.12A	L70 Lifespan	100,000 Hours
277V	0.11A	Lumens	2227-4408 lm
Input Watts	18-36.9W	Efficacy	116.5-126.1 lm/W

## Technical Specifications

### Field Adjustability

#### Field Adjustable:

Field Adjustable Light Output:  
2' x 2': 39W/29W/19W (factory default 29W)  
Color temperature (selectable by 3500K and 4000K)

### Lightcloud

#### Lightcloud Sensor Installed:

Occupancy, vacancy, and closed loop daylight harvesting in one versatile sensor. In addition control any fixture in your Lightcloud integrated/embedded networked lighting luminaire-level control system. LLLC - capable of switching, 0-10V dimming, power/energy monitoring. Can also be used to extend the range of the Lightcloud mesh network communication protocols.

DLC system - N1XMLOEATBA

[Learn more about Lightcloud.](#)

### Compliance

#### UL Listed:

Suitable for dry and damp locations.

#### CECA Compliant:

Luminaire Requirements used in Environmental Air Space per the electrical code specification of the City of Chicago

### IESNA LM-79 & lm-80 Testing:

RAB LED luminaires and LED components have been tested by an independent laboratory in accordance with IESNA lm-79 and lm-80

### Trade Agreements Act Compliant:

This product is a product of Cambodia and a "designated country" end product that complies with the Trade Agreements Act

### DLC Listed:

This product is on the Design Lights Consortium (DLC) Qualified Products List and is eligible for rebates from DLC Member Utilities. Designed to meet DLC 5.1 requirements.  
DLC Product Code: S-3G25EM

### Performance

#### Lifespan:

100,000-Hour LED lifespan based on IES LM-80 results and TM-21 calculations

#### Wattage Equivalency:

Equivalent to (4) F17T8 or (4) F14T5

### Electrical

#### Drivers:

Class 2, Constant Current, 120-277V, 50/60Hz  
19W: 120V: 0.16A, 208V: 0.10A, 240V: 0.08A, 277V: 0.07A  
29W: 120V: 0.25A, 208V: 0.14A, 240V: 0.12A, 277V: 0.11A  
39W: 120V: 0.33A, 208V: 0.19A, 240V: 0.17A, 277V: 0.14A

#### Dimming Driver:

Driver includes dimming control wiring for 0-10V dimming systems. Requires separate 0-10V DC dimming circuit. Dims down to 10%.

#### THD:

2.49% at 120V, 4.56% at 277V

#### Power Factor:

99.8% at 120V, 94.75% at 277V

#### Surge Protection:

2kV

### LED Characteristics

#### LEDs:

Long-life, high-efficiency, discrete, surface-mount LEDs

## Technical Specifications (continued)

### Color Stability:

LED color temperature is warranted to shift no more than 200K in color temperature over a 5-year period

### Color Uniformity:

RAB's range of Correlated Color Temperature follows the guidelines of the American National Standard for Specifications for the Chromaticity of Solid State Lighting (SSL) Products, ANSI C78.377-2017.

## Construction

---

### Operating Temperature:

-20°C (-4°F) to 40°C (104°F)

### IC Rated:

Suitable for direct contact with insulation

### Housing:

Galvanized sheet metal

### Mounting:

Recessed into T-grid ceiling. Surface and recessed mounting kits available for drywall ceilings.

### Reflector:

Aluminum with high reflectance white finish, optimized for uniform distribution.

### Lens:

Frosted polystyrene

### Finish:

Formulated for high durability and long-lasting color

### Green Technology:

Mercury and UV free. RoHS-compliant components.

## Other

---

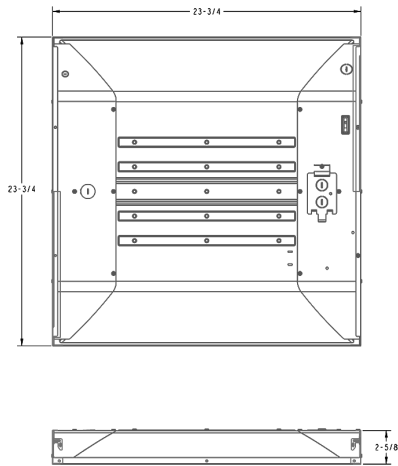
### Warranty:

RAB warrants that our LED products will be free from defects in materials and workmanship for a period of five (5) years from the date of delivery to the end user, including coverage of light output, color stability, driver performance and fixture finish. RAB's warranty is subject to all terms and conditions found at [rablighting.com/warranty](http://rablighting.com/warranty).

### Buy American Act Compliance:

RAB values USA manufacturing! Upon request, RAB may be able to manufacture this product to be compliant with the Buy American Act (BAA). Please contact customer service to request a quote for the product to be made BAA compliant.

## Dimensions



## Features

- Field-adjustable light output (3 discrete steps)
- White tunable (2 discrete color temperatures)
- 100,000-Hour LED lifespan
- 5-Year, No-Compromise Warranty

## Ordering Matrix

Family	Size	Options
SWISHFA-ISLAND	2X2	/LCS

2X2 = 2' x 2' | 19W/29W/39W | 3500K/4000K  
 2X4 = 2' x 4' | 29W/39W/49W | 3500K/4000K

- Blank = No Option
- /E = Battery Backup
- /LC = Lightcloud® Controller
- /LCS = Lightcloud® Sensor
- /LCB = Lightcloud® Blue Enabled
- /LCBS = Lightcloud® Blue Enabled w/ PIR Sensor
- /MVS = Microwave Occupancy Sensor
- /LCBS/MVS = Lightcloud® Blue Enabled w/ MVS Sensor
- /LC/E = Lightcloud® Controller w/ Battery Backup
- /LCS/E = Lightcloud® Sensor w/ Battery Backup
- /LCB/E = Lightcloud® Blue Enabled w/ Battery Backup
- /LCBS/E = Lightcloud® Blue Enabled w/ PIR Sensor and Battery Backup
- /LCBS/MVS/E = Lightcloud® Blue Enabled w/ MVS Sensor and Battery Backup
- /MVS/E = Microwave Occupancy Sensor w/ Battery Backup