



<b>Project:</b>	<b>Type:</b>
<b>Prepared By:</b>	<b>Date:</b>

Driver Info		LED Info	
Type	Constant Current	Watts	29W
120V	0.25A	Color Temp	3500/4000/5000K
208V	0.14A	Color Accuracy	83-84 CRI
240V	0.12A	L70 Lifespan	100,000 Hours
277V	0.11A	Lumens	2227-4408 lm
Input Watts	18-36.9W	Efficacy	116.5-126.1 lm/W

**Technical Specifications**

**Lightcloud**

**Lightcloud Blue:**

Lightcloud Blue is a Bluetooth mesh wireless lighting control system that allows you to control RAB's various compatible devices. With RAB's patent-pending Rapid Provisioning technology, devices can be quickly and easily commissioned for residential and large commercial applications using the Lightcloud Blue mobile app. Each device in a system can communicate with any other device, eliminating the need for a Gateway or Hub and maximizing the control system's reach.

DLC system - N1XMLOEATBA  
[Learn more at www.lightcloud.com](http://www.lightcloud.com)

**Gateway Required:**

No

**Communication Protocol:**

Bluetooth Mesh

**Range:**

Up to 60 ft between standard building materials.  
 Up to 200 ft clear line of sight.

**Spacing Criteria:**

Lightcloud Blue devices should be placed within the specified range to communicate within the Bluetooth Mesh network.

**Factory Reset:**

**Method 1: Delete from App**  
 Open the app and access the device settings for the paired device. Be sure that the device is online and select 'Delete'. The device will flash on/off 5 times and return to full brightness.

**Method 2: Manual**

Locate the device identification button at the top of the Controller under the Lightcloud logo. Press and hold this button for 10s or until the indicator light begins flashing red. If the Controller is attached to a fixture, the fixture will also flash on/off 5x.

**Electrical**

**Drivers:**

Class 2, Constant Current, 120-277V, 50/60Hz  
 19W: 120V: 0.16A, 208V: 0.10A, 240V: 0.08A, 277V: 0.07A  
 29W: 120V: 0.25A, 208V: 0.14A, 240V: 0.12A, 277V: 0.11A  
 39W: 120V: 0.33A, 208V: 0.19A, 240V: 0.17A, 277V: 0.14A

**THD:**

2.49% at 120V, 4.56% at 277V

**Power Factor:**

99.8% at 120V, 94.75% at 277V

**Status Indicator:**

The status indicator light is located around the circumference of the top of the Controller.

Solid Green - Nano is paired to the Lightcloud Blue app  
 Flashing Red - Nano has been restored to default factory settings

**Device Identification Button:**

Located at the top of the controller under the Lightcloud logo.  
 Once the Controller has been provisioned to the Lightcloud Blue mobile app this button offers the following functionality:  
 Press once to rapid identify this device in the Lightcloud Blue mobile app  
 Press twice to toggle circuit on and off  
 Press twice and hold to set dim level  
 Press and hold for 10s to reset the device to factory settings and into pairing mode

**Compliance**

**Trade Agreements Act Compliant:**

This product is a product of Cambodia and a "designated country" end product that complies with the Trade Agreements Act

## Technical Specifications (continued)

### Other

#### Buy American Act Compliance:

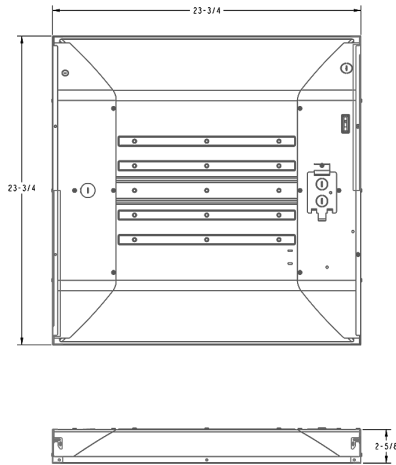
RAB values USA manufacturing! Upon request, RAB may be able to manufacture this product to be compliant with the Buy American Act (BAA). Please contact customer service to request a quote for the product to be made BAA compliant.

### Performance

#### Wattage Equivalency:

Equivalent to (4) F17T8 or (4) F14T5

## Dimensions



## Features

- Field-adjustable light output (3 discrete steps)
- White tunable (2 discrete color temperatures)
- 100,000-Hour LED lifespan
- 5-Year, No-Compromise Warranty

## Ordering Matrix

Family	Size	Options
SWISHFA-ISLAND	2X2	/LCB/E
	2X2 = 2' x 2'   19W/29W/39W   3500K/4000K 2X4 = 2' x 4'   29W/39W/49W   3500K/4000K	<b>Blank</b> = No Option <b>/E</b> = Battery Backup <b>/LC</b> = Lightcloud Controller <b>/LCS</b> = Lightcloud Sensor <b>/LCB</b> = Lightcloud Blue Enabled <b>/MVS</b> = Microwave Occupancy Sensor <b>/LC/E</b> = Lightcloud Controller w/Battery Backup <b>/LCS/E</b> = Lightcloud Sensor w/Battery Backup <b>/LCB/E</b> = Lightcloud Blue Enabled w/Battery Backup <b>/MVS/E</b> = Microwave Occupancy Sensor w/Battery Backup