



Project:	Type:
Prepared By:	Date:

Driver Info		LED Info	
Type	Constant Current	Watts	29W
120V	0.25A	Color Temp	Field Adjustable
208V	0.14A	Color Accuracy	83-84 CRI
240V	0.12A	L70 Lifespan	100,000 Hours
277V	0.11A	Lumens	2227-4408 lm
Input Watts	18-36.9W	Efficacy	116.5-126.1 lm/W

Technical Specifications

Field Adjustability

Field Adjustable:

Field Adjustable Light Output:
2' x 2': 39W/29W/19W (factory default 29W)
Color temperature (selectable by 3500K and 4000K)

Compliance

UL Listed:

Suitable for dry and damp locations.

CCEA Compliant:

Luminaire Requirements used in Environmental Air Space per the electrical code specification of the City of Chicago

IESNA LM-79 & lm-80 Testing:

RAB LED luminaires and LED components have been tested by an independent laboratory in accordance with IESNA lm-79 and lm-80

Trade Agreements Act Compliant:

This product is a product of Cambodia and a "designated country" end product that complies with the Trade Agreements Act

DLC Listed:

This product is on the Design Lights Consortium (DLC) Qualified Products List and is eligible for rebates from DLC Member Utilities. Designed to meet DLC 5.1 requirements.
DLC Product Code: S-3G25EM

Performance

Lifespan:

100,000-Hour LED lifespan based on IES LM-80 results and TM-21 calculations

Wattage Equivalency:

Equivalent to (4) F17T8 or (4) F14T5

Electrical

Drivers:

Class 2, Constant Current, 120-277V, 50/60Hz
19W: 120V: 0.16A, 208V: 0.10A, 240V: 0.08A, 277V: 0.07A
29W: 120V: 0.25A, 208V: 0.14A, 240V: 0.12A, 277V: 0.11A
39W: 120V: 0.33A, 208V: 0.19A, 240V: 0.17A, 277V: 0.14A

Dimming Driver:

Driver includes dimming control wiring for 0-10V dimming systems. Requires separate 0-10V DC dimming circuit. Dims down to 10%.

THD:

2.49% at 120V, 4.56% at 277V

Power Factor:

99.8% at 120V, 94.75% at 277V

Surge Protection:

2kV

Battery Backup:

Battery backup will operate the LED Lamp for 90 minutes if power fails. Wired for 120V-277V.

Battery Backup Light Loss Factor:

19W: 0.50
29W: 0.33
39W: 0.26

LED Characteristics

LEDs:

Long-life, high-efficacy, discrete, surface-mount LEDs

Color Stability:

LED color temperature is warrantied to shift no more than 200K in color temperature over a 5-year period

Color Uniformity:

RAB's range of Correlated Color Temperature follows the guidelines of the American National Standard for Specifications for the Chromaticity of Solid State Lighting (SSL) Products, ANSI C78.377-2017.

Construction

Operating Temperature:

-20°C (-4°F) to 40°C (104°F)

IC Rated:

Suitable for direct contact with insulation

Technical Specifications (continued)

Housing:

Galvanized sheet metal

Mounting:

Recessed into T-grid ceiling. Surface and recessed mounting kits available for drywall ceilings.

Reflector:

Aluminum with high reflectance white finish, optimized for uniform distribution.

Lens:

Frosted polystyrene

Finish:

Formulated for high durability and long-lasting color

Green Technology:

Mercury and UV free. RoHS-compliant components.

Other

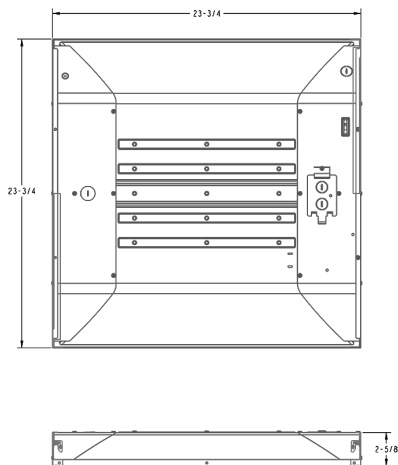
Warranty:

RAB warrants that our LED products will be free from defects in materials and workmanship for a period of five (5) years from the date of delivery to the end user, including coverage of light output, color stability, driver performance and fixture finish. RAB's warranty is subject to all terms and conditions found at rablighting.com/warranty.

Buy American Act Compliance:

RAB values USA manufacturing! Upon request, RAB may be able to manufacture this product to be compliant with the Buy American Act (BAA). Please contact customer service to request a quote for the product to be made BAA compliant.

Dimensions



Features

- Field-adjustable light output (3 discrete steps)
- White tunable (2 discrete color temperatures)
- 100,000-Hour LED lifespan
- 5-Year, No-Compromise Warranty

Ordering Matrix

Family	Size	Options
SWISHFA-ISLAND	2X2	/E

2X2 = 2' x 2' | 19W/29W/39W | 3500K/4000K
 2X4 = 2' x 4' | 29W/39W/49W | 3500K/4000K

Blank = No Option
/E = Battery Backup
/LC = Lightcloud® Controller
/LCS = Lightcloud® Sensor
/LCB = Lightcloud® Blue Enabled
/LCBS = Lightcloud® Blue Enabled w/ PIR Sensor
/MVS = Microwave Occupancy Sensor
/LCBS/MVS = Lightcloud® Blue Enabled w/ MVS Sensor
/LC/E = Lightcloud® Controller w/ Battery Backup
/LCS/E = Lightcloud® Sensor w/ Battery Backup
/LCB/E = Lightcloud® Blue Enabled w/ Battery Backup
/LCBS/E = Lightcloud® Blue Enabled w/ PIR Sensor and Battery Backup
/LCBS/MVS/E = Lightcloud® Blue Enabled w/ MVS Sensor and Battery Backup
/MVS/E = Microwave Occupancy Sensor w/ Battery Backup