



<b>Project:</b>	<b>Type:</b>
<b>Prepared By:</b>	<b>Date:</b>

Driver Info		LED Info	
Type	Constant Current	Watts	29W
120V	0.26A	Color Temp	4000K (Neutral)
208V	0.14A	Color Accuracy	83 CRI
240V	0.12A	R9	5.9
277V	0.11A	L70 Lifespan	100,000 Hours
Input Watts	28.1W	Lumens	3,355 lm
		Efficacy	119.4 lm/W

## Technical Specifications

### Lightcloud

#### Lightcloud Sensor Installed:

Occupancy, vacancy, and closed-loop daylight harvesting in one versatile sensor. Control any fixture in your Lightcloud system. [Learn more about Lightcloud.](#)

### Compliance

#### UL Listed:

Suitable for dry and damp locations.

#### DLC Listed:

This product is on the Design Lights Consortium (DLC) Qualified Products List and is eligible for rebates from DLC Member Utilities. Designed to meet DLC 5.1 requirements.  
DLC Product Code: PZSBTP76

### Electrical

#### Driver:

Constant Current, Class 2, 120-277V, 50/60 Hz, 120V: 0.24A, 208V: 0.14A, 240V: 0.12A, 277V: 0.11A

#### Dimming Driver:

Driver includes dimming control wiring for 0-10V dimming systems. Requires separate 0-10V DC dimming circuit. Dims down to 10%.

#### THD:

5.44% at 120V, 11.85% at 277V

#### Power Factor:

99.7% at 120V, 97.4% at 277V

#### Surge Protection:

2kV

### Construction

#### Operating Temperature:

-20°C (-4°F) to 40°C (104°F)

#### IC Rated:

Suitable for direct contact with insulation

#### Housing:

Sheet metal and extruded aluminum

#### Mounting:

Recessed into T-grid ceiling. Surface and recessed mounting kits available for drywall ceilings.

#### Reflector:

Aluminum with high reflectance white finish, optimized for uniform distribution.

#### Lens:

Frosted polystyrene

#### Finish:

Formulated for high durability and long-lasting color

#### Green Technology:

Mercury and UV free. RoHS-compliant components.

### LED Characteristics

#### LEDs:

Long-life, high-efficacy, discrete, surface-mount LEDs

#### Color Stability:

LED color temperature is warranted to shift no more than 200K in color temperature over a 5-year period

#### Color Uniformity:

RAB's range of Correlated Color Temperature follows the guidelines of the American National Standard for Specifications for the Chromaticity of Solid State Lighting (SSL) Products, ANSI C78.377-2017.

### Performance

#### Lifespan:

100,000-Hour LED lifespan based on IES LM-80 results and TM-21 calculations

## Technical Specifications (continued)

### Other

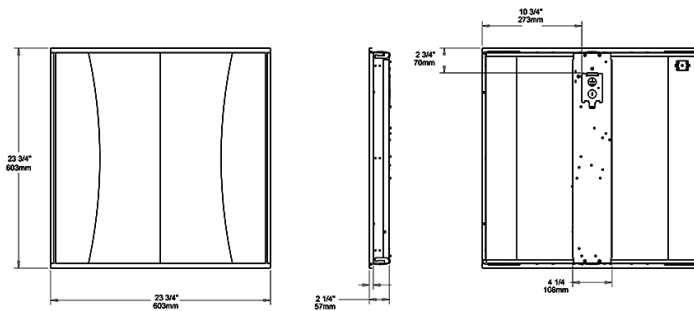
#### Warranty:

RAB warrants that our LED products will be free from defects in materials and workmanship for a period of five (5) years from the date of delivery to the end user, including coverage of light output, color stability, driver performance and fixture finish. RAB's warranty is subject to all terms and conditions found at [rablighting.com/warranty](http://rablighting.com/warranty).

#### Buy American Act Compliance:

RAB values USA manufacturing! Upon request, RAB may be able to manufacture this product to be compliant with the Buy American Act (BAA). Please contact customer service to request a quote for the product to be made BAA compliant.

## Dimensions



## Features

- Contemporary LED centerbasket with direct/indirect illumination
- Field-adjustable light output (3 discrete steps) - can be changed before, during or after installation
- 100,000-Hour LED lifespan

## Ordering Matrix

Family	Size		CRI/Color Temp	Driver	Controls	Options
SWISHFA-EDGE	2X2	-	840	U	/LCS	
	2X2 = 19/29/39W 2X4 = 29/39/49W		840 = 80 CRI, 4000K Neutral 835 = 80 CRI, 3500K Warm Neutral	U = 0-10V Dimming	Blank = No Option /MVS = Microwave Occupancy Sensor /LC = Lightcloud® Controller /LCB = Lightcloud® Blue Enabled /LCBS = Lightcloud® Blue Enabled w/ PIR Sensor	Blank = No Option /E2 = Battery Backup