



| | |
|---------------------|--------------|
| Project: | Type: |
| Prepared By: | Date: |

| Driver Info | | LED Info | |
|-------------|------------------|----------------|-----------------|
| Type | Constant Current | Watts | 29W |
| 120V | 0.26A | Color Temp | 4000K (Neutral) |
| 208V | 0.14A | Color Accuracy | 83 CRI |
| 240V | 0.12A | R9 | 5.9 |
| 277V | 0.11A | L70 Lifespan | 100,000 Hours |
| Input Watts | 28.1W | Lumens | 3,355 lm |
| | | Efficacy | 119.4 lm/W |

Technical Specifications

Compliance

UL Listed:

Suitable for dry and damp locations.

DLC Listed:

This product is on the Design Lights Consortium (DLC) Qualified Products List and is eligible for rebates from DLC Member Utilities. Designed to meet DLC 5.1 requirements.

DLC Product Code: PZSBTP76

Electrical

Driver:

Constant Current, Class 2, 120-277V, 50/60 Hz, 120V: 0.24A, 208V: 0.14A, 240V: 0.12A, 277V: 0.11A

Dimming Driver:

Driver includes dimming control wiring for 0-10V dimming systems. Requires separate 0-10V DC dimming circuit. Dims down to 10%.

THD:

5.44% at 120V, 11.85% at 277V

Power Factor:

99.7% at 120V, 97.4% at 277V

Surge Protection:

2kV

Construction

Operating Temperature:

-20°C (-4°F) to 40°C (104°F)

IC Rated:

Suitable for direct contact with insulation

Housing:

Sheet metal and extruded aluminum

Mounting:

Recessed into T-grid ceiling. Surface and recessed mounting kits available for drywall ceilings.

Reflector:

Aluminum with high reflectance white finish, optimized for uniform distribution.

Lens:

Frosted polystyrene

Finish:

Formulated for high durability and long-lasting color

Green Technology:

Mercury and UV free. RoHS-compliant components.

LED Characteristics

LEDs:

Long-life, high-efficacy, discrete, surface-mount LEDs

Color Stability:

LED color temperature is warrantied to shift no more than 200K in color temperature over a 5-year period

Color Uniformity:

RAB's range of Correlated Color Temperature follows the guidelines of the American National Standard for Specifications for the Chromaticity of Solid State Lighting (SSL) Products, ANSI C78.377-2017.

Performance

Lifespan:

100,000-Hour LED lifespan based on IES LM-80 results and TM-21 calculations

Other

Warranty:

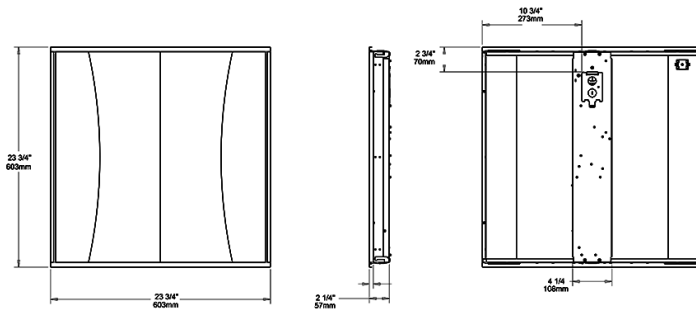
RAB warrants that our LED products will be free from defects in materials and workmanship for a period of five (5) years from the date of delivery to the end user, including coverage of light output, color stability, driver performance and fixture finish. RAB's warranty is subject to all terms and conditions found at rablighting.com/warranty.

Technical Specifications (continued)

Buy American Act Compliance:

RAB values USA manufacturing! Upon request, RAB may be able to manufacture this product to be compliant with the Buy American Act (BAA). Please contact customer service to request a quote for the product to be made BAA compliant.

Dimensions



Features

- Contemporary LED centerbasket with direct/indirect illumination
- Field-adjustable light output (3 discrete steps) - can be changed before, during or after installation
- 100,000-Hour LED lifespan

Ordering Matrix

| Family | Size | | CRI/Color Temp | Driver | Controls | Options |
|--------------|------------------------------------|---|---|-------------------|---|---|
| SWISHFA-EDGE | 2X2 | - | 840 | U | | |
| | 2X2 = 19/29/39W 2X4 = 29/39/49W | | 840 = 80 CRI, 4000K Neutral 835 = 80 CRI, 3500K Warm Neutral | U = 0-10V Dimming | Blank = No Option /MVS = Microwave Occupancy Sensor /LC = Lightcloud® Controller /LCB = Lightcloud® Blue Enabled /LCBS = Lightcloud® Blue Enabled w/ PIR Sensor | Blank = No Option /E2 = Battery Backup |