



Project:	Type:
Prepared By:	Date:

Driver Info		LED Info	
Type	Constant Current	Watts	29W
120V	0.26A	Color Temp	3500K (Warm Neutral)
208V	0.14A	Color Accuracy	82 CRI
240V	0.12A	L70 Lifespan	100,000 Hours
277V	0.11A	Lumens	3,266 lm
Input Watts	28.3W	Efficacy	115.4 lm/W

Technical Specifications

Lightcloud

Lightcloud Blue:

Lightcloud Blue is a Bluetooth mesh wireless lighting control system that allows you to control RAB's various compatible devices. With RAB's patent-pending Rapid Provisioning technology, devices can be quickly and easily commissioned for residential and large commercial applications using the Lightcloud Blue mobile app. Each device in a system can communicate with any other device, eliminating the need for a Gateway or Hub and maximizing the control system's reach.

DLC system - N1XMLOEATBA
[Learn more at www.lightcloud.com](http://www.lightcloud.com)

Gateway Required:

No

Communication Protocol:

Bluetooth Mesh

Range:

Up to 60 ft between standard building materials.
 Up to 200 ft clear line of sight.

Spacing Criteria:

Lightcloud Blue devices should be placed within the specified range to communicate within the Bluetooth Mesh network.

Factory Reset:

Method 1: Delete from App
 Open the app and access the device settings for the paired device. Be sure that the device is online and select 'Delete'. The device will flash on/off 5 times and return to full brightness.

Method 2: Manual

Locate the device identification button at the top of the Controller under the Lightcloud logo. Press and hold this button for 10s or until the indicator light begins flashing red. If the Controller is attached to a fixture, the fixture will also flash on/off 5x.

Electrical

Driver:

Constant Current, Class 2, 120-277V, 50/60 Hz, 120V: 0.24A, 208V: 0.14A, 240V: 0.12A, 277V: 0.11A

THD:

5.56% at 120V, 10.85% at 277V

Power Factor:

99.6% at 120V, 96.3% at 277V

Status Indicator:

The status indicator light is located around the circumference of the top of the Controller.

Solid Green - Nano is paired to the Lightcloud Blue app

Flashing Red - Nano has been restored to default factory settings

Device Identification Button:

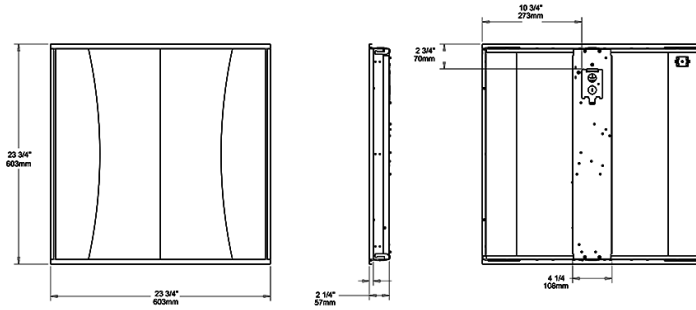
Located at the top of the controller under the Lightcloud logo.
 Once the Controller has been provisioned to the Lightcloud Blue mobile app this button offers the following functionality:
 Press once to rapid identify this device in the Lightcloud Blue mobile app
 Press twice to toggle circuit on and off
 Press twice and hold to set dim level
 Press and hold for 10s to reset the device to factory settings and into pairing mode

Other

Buy American Act Compliance:

RAB values USA manufacturing! Upon request, RAB may be able to manufacture this product to be compliant with the Buy American Act (BAA). Please contact customer service to request a quote for the product to be made BAA compliant.

Dimensions



Features

- Contemporary LED centerbasket with direct/indirect illumination
- Field-adjustable light output (3 discrete steps) - can be changed before, during or after installation
- 100,000-Hour LED lifespan

Ordering Matrix

Family	Size		CRI/Color Temp	Driver	Options
SWISHFA-EDGE	2X2	-	835	U	/LCB
	2X4 = 29/39/49W 2X2 = 19/29/39W		840 = 80 CRI, 4000K Neutral 835 = 80 CRI, 3500K Warm Neutral	U = 0-10V Dimming	/LCBS/E2 = Lightcloud Blue Enabled w/PIR Sensor w/Battery Backup /LCB/E2 = Lightcloud Blue Enabled w/Battery Backup /LCBS = Lightcloud Blue Enabled w/PIR Sensor /LCB = Lightcloud Blue Enabled /MVS/E2 = Microwave Occupancy Sensor w/Battery Backup /LCS/E2 = Lightcloud Sensor w/Battery Backup /LC/E2 = Lightcloud Controller w/Battery Backup /MVS = Microwave Occupancy Sensor /LCS = Lightcloud Sensor /LC = Lightcloud Controller /E2 = Battery Backup Blank = No Option