



Color: White

Weight: 14.9 lbs

Project:	Type:
Prepared By:	Date:

Driver Info		LED Info	
Type	Constant Current	Watts	29W
120V	0.25A	Color Temp	Field Adjustable
208V	0.15A	Color Accuracy	83-86 CRI
240V	0.13A	L70 Lifespan	100,000 Hours
277V	0.12A	Lumens	2432-4913 lm
Input Watts	18.5-38.6W	Efficacy	116.2-139.1 lm/W

Technical Specifications

Field Adjustability

Field Adjustable:

Field Adjustable Light Output:
2' x 2': 39W/29W/19W (factory default 29W)
Color temperature selectable by 3500K, 4000K and 5000K (factory default 4000K)

Compliance

UL Listed:

Suitable for damp locations

IESNA LM-79 & lm-80 Testing:

RAB LED luminaires and LED components have been tested by an independent laboratory in accordance with IESNA lm-79 and lm-80

Trade Agreements Act Compliant:

This product is a product of Cambodia and a "designated country" end product that complies with the Trade Agreements Act

DLC Listed:

This product is on the Design Lights Consortium (DLC) Qualified Products List and is eligible for rebates from DLC Member Utilities. Designed to meet DLC 5.1 requirements.
DLC Product Code: PD0NA0YP

Electrical

Driver:

Class 2, Constant Current, 120-277V, 50/60 Hz, 120V: 0.25A, 208V: 0.14A, 240V: 0.12A, 277V: 0.11A

Dimming Driver:

Driver includes dimming control wiring for 0-10V dimming systems. Requires separate 0-10V DC dimming circuit. Dims down to 10%.

THD:

4.65% at 120V, 16.05% at 277V

Power Factor:

99.8% at 120V, 97.4% at 277V

Surge Protection:

2kV

Construction

Cold Weather Starting:

The minimum starting temperature is -30°C (-22°F)

Ambient Temperature:

Suitable for use in up to 40°C (104°F)

IC Rated:

Suitable for direct contact with insulation

Housing:

Die-formed, 20-gauge, cold-rolled steel

Mounting:

Recessed ceiling

Reflector:

Integral reflector (on the sides) with high reflectance finish, optimized for uniform distribution.

Lens:

Frosted polycarbonate

Finish:

Formulated for high durability and long-lasting color

Green Technology:

Mercury and UV free. RoHS-compliant components.

LED Characteristics

LEDs:

Long-life, high-efficacy, surface-mount LEDs

Color Stability:

LED color temperature is warrantied to shift no more than 200K in color temperature over a 5-year period

Technical Specifications (continued)

Color Uniformity:

RAB's range of Correlated Color Temperature follows the guidelines of the American National Standard for Specifications for the Chromaticity of Solid State Lighting (SSL) Products, ANSI C78.377-2017.

Performance

Lifespan:

100,000-Hour LED lifespan based on IES LM-80 results and TM-21 calculations

Lightcloud

Lightcloud Blue Sensor Installed:

Occupancy, vacancy, and closed loop daylight harvesting in one versatile sensor. In addition control any fixture in your Lightcloud Blue integrated/embedded networked lighting luminaire-level control system. LLLC - capable of switching, 0-10V dimming, power/energy monitoring. Can also be used to extend the range of the Lightcloud Blue utilizing a "BLE Mesh" network communication protocols. The Lightcloud Blue sensor can be attached to the fixture provided an unobstructed view of the coverage area is available.

DLC system - N1XMLOEATBA

[Learn more about Lightcloud.](#)

Other

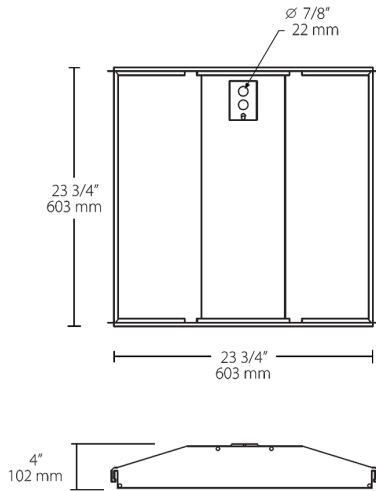
Warranty:

RAB warrants that our LED products will be free from defects in materials and workmanship for a period of five (5) years from the date of delivery to the end user, including coverage of light output, color stability, driver performance and fixture finish. RAB's warranty is subject to all terms and conditions found at rablighting.com/warranty.

Buy American Act Compliance:

RAB values USA manufacturing! Upon request, RAB may be able to manufacture this product to be compliant with the Buy American Act (BAA). Please contact customer service to request a quote for the product to be made BAA compliant.

Dimensions



Features

- Direct Connect to the Lightcloud Blue mobile app via Bluetooth, no Gateway or Hub required
- Use mobile device to configure features for On/Off Control, Dim Level, Schedules, Scenes, and more.
- Meets Luminaire Level Lighting Control (LLLC) requirements
- Integrated passive infrared or microwave sensor for added savings
- Use mobile device to configure sensor settings for sensitivity, timeout and actions.
- Field adjustable color temperature options between 3500K, 4000K, and 5000K
- Emergency battery backup options available

Ordering Matrix

Family	Size	Voltage / Driver	Options
SWISHFA	2X2	/D10	/LCBS

2X2 = 2' x 2'
2X4 = 2' x 4'

/D10 = 0-10V Dimming

Blank = No Option
 /MVS = Microwave Occupancy Sensor
 /LC = Lightcloud® Control
 /LCS = Lightcloud® Sensor
 /LCB = Lightcloud® Blue Enabled
 /LCBS = Lightcloud® Blue Enabled w/ PIR Sensor
 /E2 = Battery Backup
 /LCB/E2 = Lightcloud® Blue Enabled and Battery Backup
 /LCBS/E2 = Lightcloud® Blue Enabled w/ PIR Sensor and Battery Backup
 /LCBS/MVS = Lightcloud® Sensor w/ Occupancy Sensor
 /LCBS/MVS/E2 = Lightcloud® Sensor w/ Occupancy Sensor and Battery Backup