



## Technical Specifications (continued)

### Other

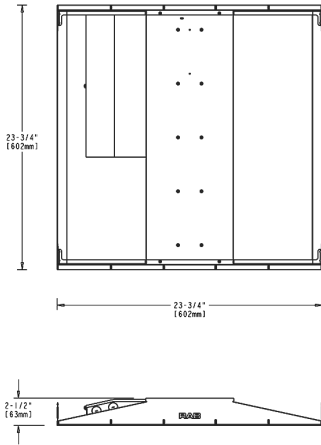
#### 5 Yr Limited Warranty:

The RAB 5-year, limited warranty covers light output, driver performance and paint finish. RAB's warranty is subject to all terms and conditions found at [rablighting.com/warranty](http://rablighting.com/warranty).

#### Buy American Act Compliance:

RAB values USA manufacturing! Upon request, RAB may be able to manufacture this product to be compliant with the Buy American Act (BAA). Please contact customer service to request a quote for the product to be made BAA compliant.

## Dimensions



## Features

- Optional surface and recessed mount kits available
- Optional programmable occupancy sensor for multi-level lighting control
- 0-10V dimming, standard on all models
- 60,000-hour LED lifespan
- 5-Year, limited warranty

## Ordering Matrix

| Family  | Size                           | Wattage   | Color Temp                                   | Options  |
|---------|--------------------------------|---|--|--|
| SWISH34 | 2X2                            | 29  | YN   |  |
|         | 2X2 = 2' x 2'<br>2X4 = 2' x 4' | 19 = 19W (2' x 2')<br>29 = 29W (2' x 2', 2' x 4')<br>39 = 39W (2' x 4') | N = 4000K Neutral<br>YN = 3500K Warm Neutral | Blank = No Option<br>/E2 = Battery Backup<br>/LC = Lightcloud® Controller<br>/LCS = Lightcloud® Sensor<br>/LCB = Lightcloud® Blue Enabled<br>/LCBS = Lightcloud® Blue Enabled w/ PIR Sensor<br>/LCBS/MVS = Lightcloud® Blue Enabled w/ MVS Sensor<br>/PIR = Passive Infrared Occupancy Sensor<br>/LC/E2 = Lightcloud® Controller w/ Battery Backup<br>/LCS/E2 = Lightcloud® Sensor w/ Battery Backup<br>/LCB/E2 = Lightcloud® Blue Enabled and Battery Backup<br>/LCBS/E2 = Lightcloud® Blue Enabled w/ PIR Sensor and Battery Backup<br>/LCBS/MVS/E2 = Lightcloud® Blue Enabled w/ MVS Sensor and Battery Backup<br>/PIR/E2 = Passive Infrared Occupancy Sensor w/ Battery Backup |

