

Technical Specifications (continued)

Other

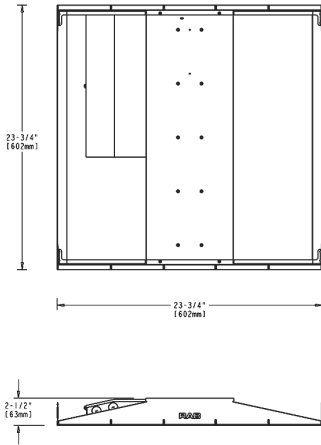
5 Yr Limited Warranty:

The RAB 5-year, limited warranty covers light output, driver performance and paint finish. RAB's warranty is subject to all terms and conditions found at rablighting.com/warranty.

Buy American Act Compliance:

RAB values USA manufacturing! Upon request, RAB may be able to manufacture this product to be compliant with the Buy American Act (BAA). Please contact customer service to request a quote for the product to be made BAA compliant.

Dimensions



Features

- Optional surface and recessed mount kits available
- Optional programmable occupancy sensor for multi-level lighting control
- 0-10V dimming, standard on all models
- 60,000-hour LED lifespan
- 5-Year, limited warranty

Ordering Matrix

Family	Size	Wattage	Color Temp	Options
SWISH34	2X2	19	N	
	2X2 = 2' x 2' 2X4 = 2' x 4'	19 = 19W (2' x 2') 29 = 29W (2' x 2', 2' x 4') 39 = 39W (2' x 4')	N = 4000K Neutral YN = 3500K Warm Neutral	Blank = No Option /E2 = Battery Backup /LC = Lightcloud® Controller /LCS = Lightcloud® Sensor /LCB = Lightcloud® Blue Enabled /LCBS = Lightcloud® Blue Enabled w/ PIR Sensor /LCBS/MVS = Lightcloud® Blue Enabled w/ MVS Sensor /PIR = Passive Infrared Occupancy Sensor /LC/E2 = Lightcloud® Controller w/ Battery Backup /LCS/E2 = Lightcloud® Sensor w/ Battery Backup /LCB/E2 = Lightcloud® Blue Enabled and Battery Backup /LCBS/E2 = Lightcloud® Blue Enabled w/ PIR Sensor and Battery Backup /LCBS/MVS/E2 = Lightcloud® Blue Enabled w/ MVS Sensor and Battery Backup /PIR/E2 = Passive Infrared Occupancy Sensor w/ Battery Backup

