



Project:	Type:
Prepared By:	Date:

LED efficiency and performance in an economical 2'x2' center basket troffer with emergency battery-backup that will operate the fixture for at least 90 minutes if power fails.

Color: White

Weight: 15.7 lbs

Driver Info		LED Info	
Type	Constant Current	Watts	29W
120V	0.24A	Color Temp	3000K (Warm)
208V	0.14A	Color Accuracy	84 CRI
240V	0.12A	L70 Lifespan	100,000 Hours
277V	0.11A	Lumens	3,894 lm
Input Watts	30.4W	Efficacy	128.1 lm/W

Technical Specifications

Compliance

UL Listed:

Suitable for damp locations

IESNA LM-79 & lm-80 Testing:

RAB LED luminaires and LED components have been tested by an independent laboratory in accordance with IESNA lm-79 and lm-80

DLC Listed:

This product is listed by Design Lights Consortium (DLC) as an ultra-efficient premium product that qualifies for the highest tier of rebates from DLC Member Utilities. Designed to meet DLC 5.1 requirements.

DLC Product Code: P28K8RMX

Electrical

Driver:

Class 2, Constant Current, 120-277V, 50/60Hz, 120V: 0.24A, 208V: 0.14A, 240V: 0.12A, 277V: 0.11A

Dimming Driver:

Driver includes dimming control wiring for 0-10V dimming systems. Requires separate 0-10V DC dimming circuit. Dims down to 10%.

THD:

5.84% at 120V, 5.25% at 277V

Power Factor:

99.6% at 120V, 95.4% at 277V

Battery Backup:

Battery backup will operate the fixture for 90 minutes if power fails. Wired for 120-277V.

Smart Sensing:

Programmable occupancy sensor for multi-level lighting control. Includes manual override from a light switch.

Surge Protection:

2.5kV

Battery Backup Light Loss Factor:

0.43

Construction

Cold Weather Starting:

The minimum starting temperature is -20°C (-4°F)

Ambient Temperature:

Suitable for use in up to 40°C (104°F)

IC Rated:

Suitable for direct contact with insulation

Housing:

Die-formed, 20-gauge, cold-rolled steel

Mounting:

Integral T-grid clips make installation easy and secure

Reflector:

High-reflectance, powder-coated finish, optimized for uniform light distribution

Lens:

Snap-in, frosted polycarbonate lens

Finish:

Formulated for high durability and long-lasting color

Green Technology:

Mercury and UV free. RoHS-compliant components.

LED Characteristics

LEDs:

Long-life, high-efficacy, surface-mount LEDs

Color Stability:

LED color temperature is warrantied to shift no more than 200K in color temperature over a 5-year period

Color Uniformity:

RAB's range of Correlated Color Temperature follows the guidelines of the American National Standard for Specifications for the Chromaticity of Solid State Lighting (SSL) Products, ANSI C78.377-2017.

Technical Specifications (continued)**Performance****Lifespan:**

100,000-Hour LED lifespan based on IES LM-80 results and TM-21 calculations

Sensor Specifications**Capacitance Load:**

400VA at 120VAC, 800VA at 230VAC, 1000VA at 277VAC

Operating Temperature:

-20°C to +60°C (-4°F to +140°F)

Relay:

Zero-cross relay

Maximum Mounting Height:

16.4 feet

Customizable Detection Area:

10, 50, 75 or 100%

Time Delay:

5s, 30s, 1min, 5min, 10min, 20min, 30min

Cut Off Period:

0s, 10s, 1min, 5min, 10min, 30min, 1hr, Bi-Level

Cut-Off Dimming level:

10, 20, 30, 50%

Cut-Off Power:

Less than 1W

Daylight Threshold:

About .2-5 fc for disabled

Sensor Principle:

High Frequency

Microwave Frequency:

5.8GHz +/- 75MHz

Microwave Power:

<0.2mW

Max Detection Range:

26 ft diameter at 16 ft mounting height

Detection Angle:

About 30 to 150 degrees

Remote Control Accessory:

Adjust settings using remote control (catalog# MVSREM). Only available with 0-10V dimming driver options. [Remote control available here.](#)

Other**Warranty:**

RAB warrants that our LED products will be free from defects in materials and workmanship for a period of five (5) years from the date of delivery to the end user, including coverage of light output, color stability, driver performance and fixture finish. RAB's warranty is subject to all terms and conditions found at rablighting.com/warranty.

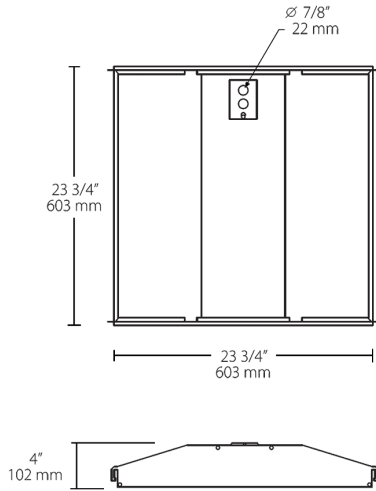
Patents:

This design is protected by patents pending in US, Canada, China, Taiwan and Mexico

Buy American Act Compliance:

RAB values USA manufacturing! Upon request, RAB may be able to manufacture this product to be compliant with the Buy American Act (BAA). Please contact customer service to request a quote for the product to be made BAA compliant.

Dimensions



Features

- Emergency battery back-up included
- Optional surface mount and dry wall frame kits available
- Optional programmable occupancy sensor for multi-level lighting control
- 0-10V dimming, standard on all models
- 100,000-hour LED lifespan
- 5-Year, No-Compromise Warranty

Ordering Matrix

Family	Size	Wattage	Color Temp	Driver	Options	Chicago Plenum
SWISH	2X2	-	29	Y	/D10	/MVS/E2
	2X4 = 2' x 4' 2X2 = 2' x 2'	19 = 19W (2x2) 29 = 29W (2x2) 39 = 39W (2x4) 49 = 49W (2x4)	Blank = 5000K Cool N = 4000K Neutral YN = 3500K Warm Neutral Y = 3000K Warm	/D10 = 0-10V Dimming	Blank = No Option /E2 = Battery Backup /LC = Lightcloud® Controller /LC/E2 = Lightcloud® Controller w/ Battery Backup /MVS = Microwave Occupancy Sensor /MVS/E2 = Microwave Occupancy Sensor w/ Battery Backup	Blank = Standard /CP = Chicago Plenum